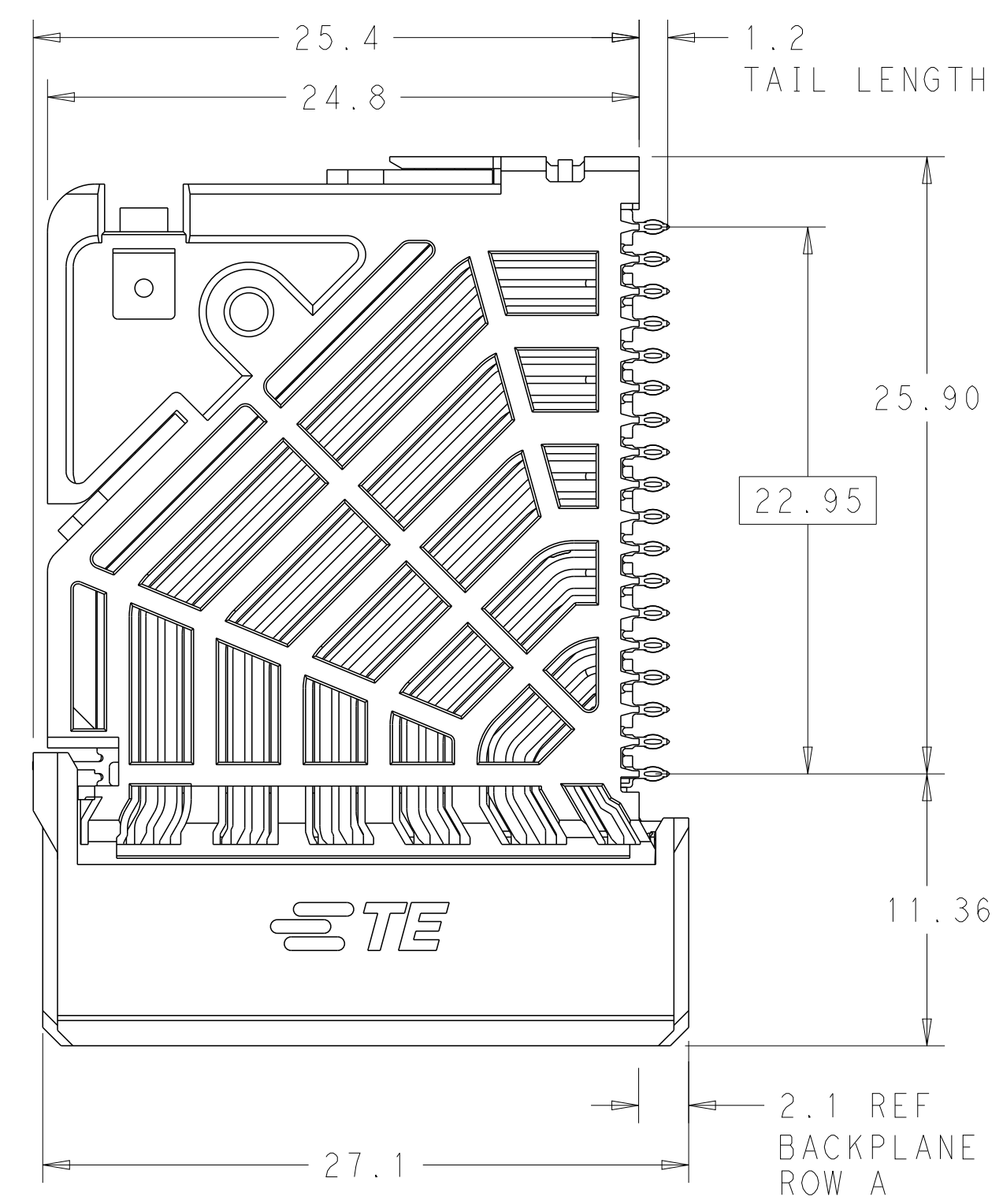
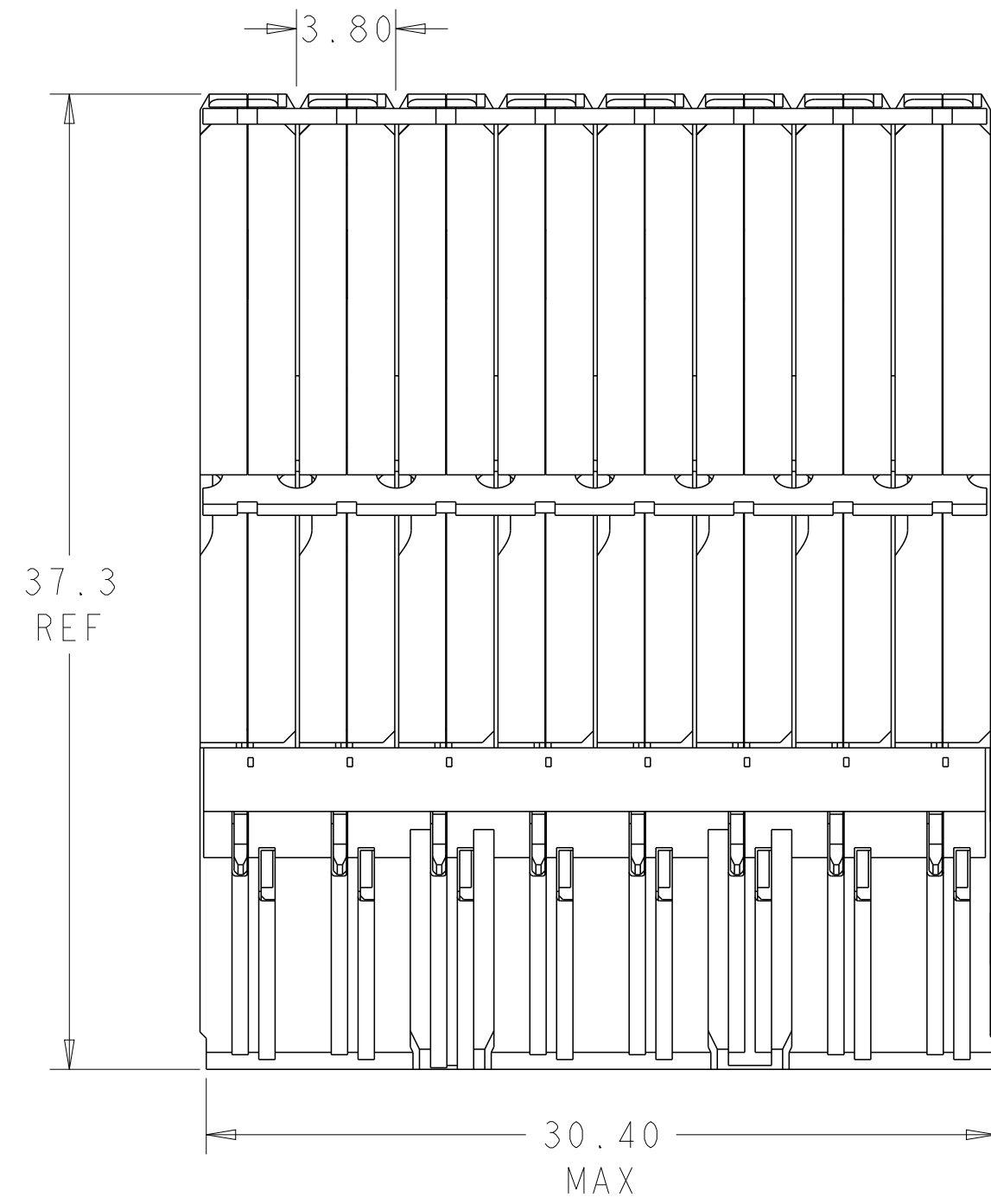
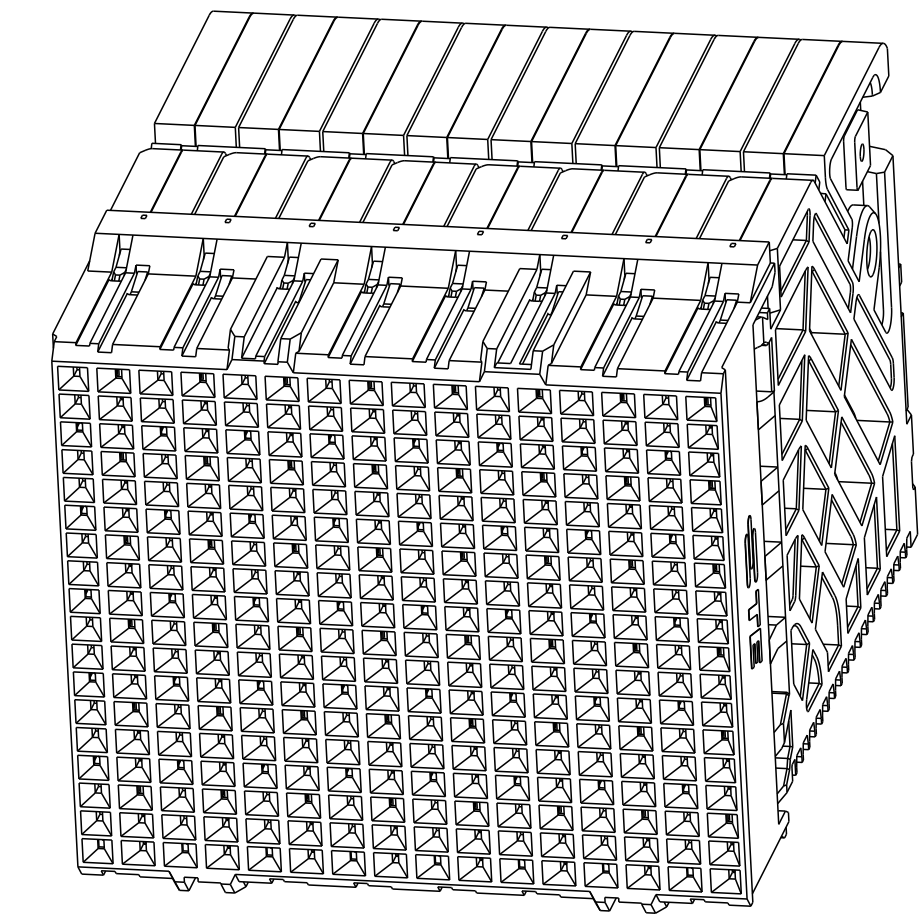


REVISIONS				
P	LTN	DESCRIPTION	DATE	APVD
E		REVISED PER ECO-15-012351	03SEP2015	AP SY



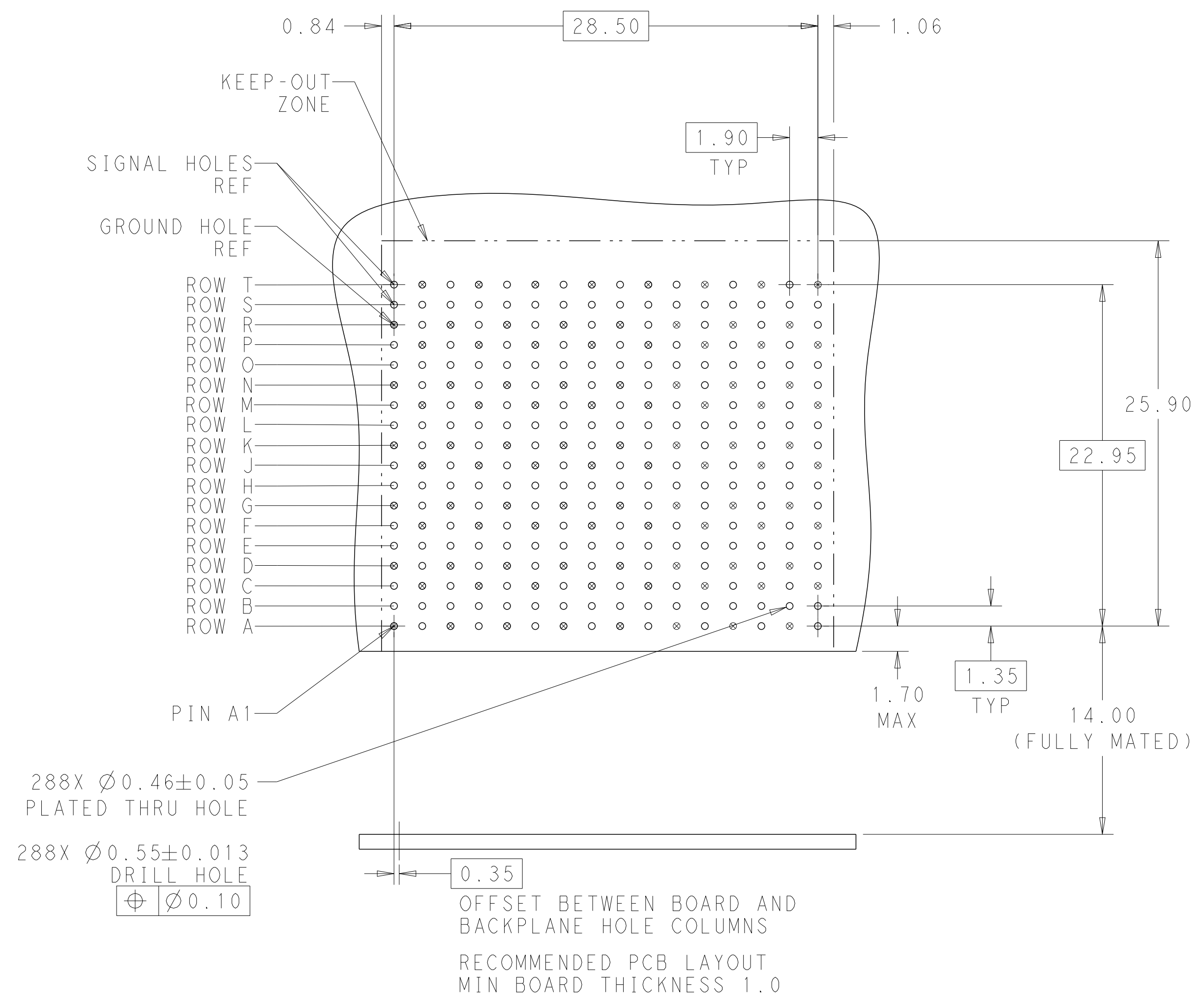
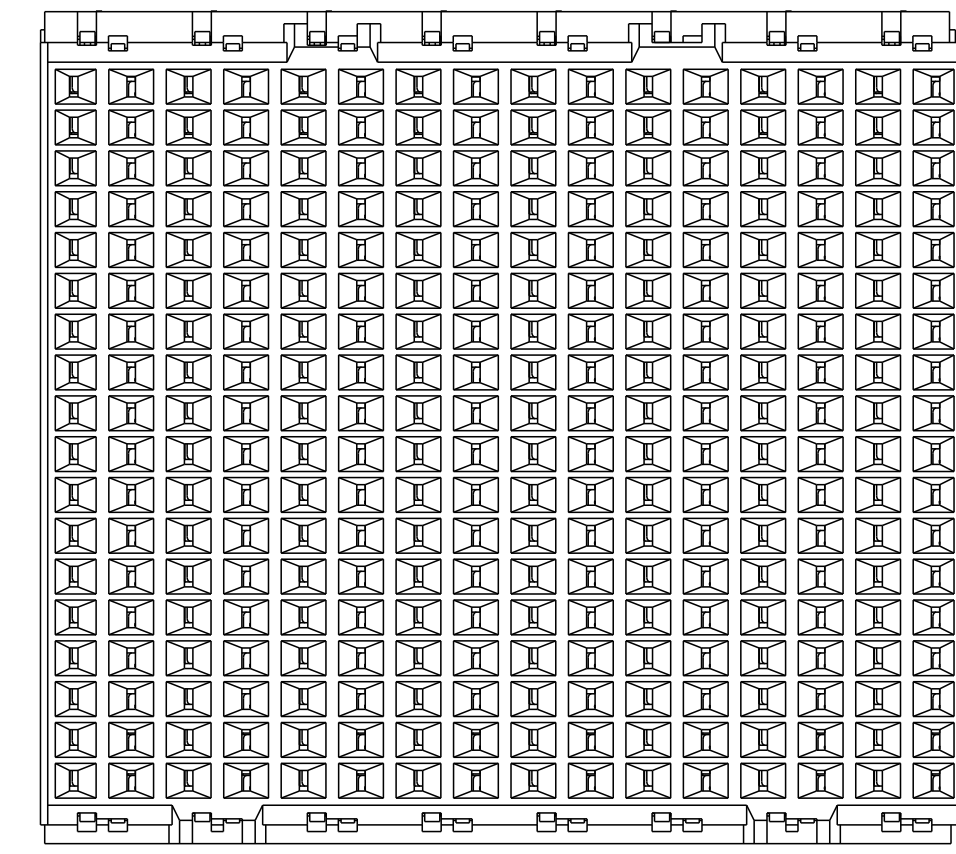
⚠ MATERIAL:
 HOUSING: LCP, GLASS FILLED, UL94V-0.
 TERMINALS: HIGH PERFORMANCE COPPER ALLOY.

⚠ FINISH:
 30µ" SELECTIVE GOLD IN CONTACT AREA. SELECTIVE TIN
 ON PCB TAILS, NICKEL OVERALL.



SCALE 3:1

REFER TO WWW.TE.COM
 FOR PRODUCT AVAILABILITY



288X $\varnothing 0.46 \pm 0.05$
 PLATED THRU HOLE

288X $\varnothing 0.55 \pm 0.013$
 DRILL HOLE
 $\varnothing 0.10$

OFFSET BETWEEN BOARD AND
 BACKPLANE HOLE COLUMNS
 RECOMMENDED PCB LAYOUT
 MIN BOARD THICKNESS 1.0

NONE	⚠	2007744-1
KEY POSITION	FINISH	PART NUMBER

THIS DRAWING IS A CONTROLLED DOCUMENT.		DWN J.K. SHOBER 04MAR2011	TE Connectivity
DIMENSIONS: mm		CHK D. DIXON 04MAR2011	
TOLERANCES UNLESS OTHERWISE SPECIFIED:		APVD D. DIXON 04MAR2011	NAME: IMPACT, 6 PAIR, DAUGHTERCARD PRODUCT SPEC: 16 COLUMN, UNGUIDED, SIGNAL APPLICATION SPEC: MODULE, 0.46 EYELET
0 PLC ± 1 PLC ±0.2 2 PLC ±0.13 3 PLC ± 4 PLC ± ANGLES ±		SIZE: A1 CAGE CODE: 00779 DRAWING NO: C=2007744	
MATERIAL: SEE TABLE		WEIGHT: -	RESTRICTED TO: -
		Customer Drawing	SCALE: 4:1 SHEET: 1 OF 1 REV: E