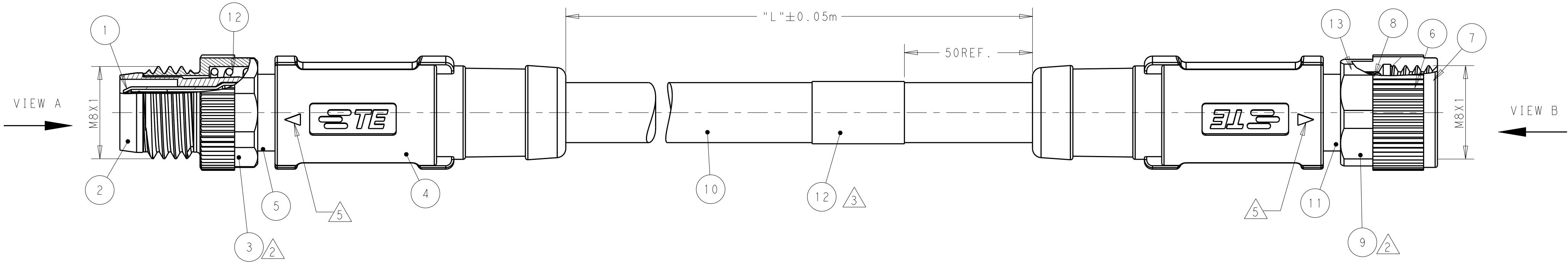


THIS DRAWING IS UNPUBLISHED. RELEASED FOR PUBLICATION 20
 © COPYRIGHT 20 BY - ALL RIGHTS RESERVED.

REVISIONS				
P	LTR	DESCRIPTION	DATE	APVD
A		INITIAL RELEASE	02MAR2016	N.P X.X
A1		ECR-17-003823 , ADD NEW PN	20MAR2017	BP CW
B		PER ECR-20-003177	06JUL2020	B.P C.W



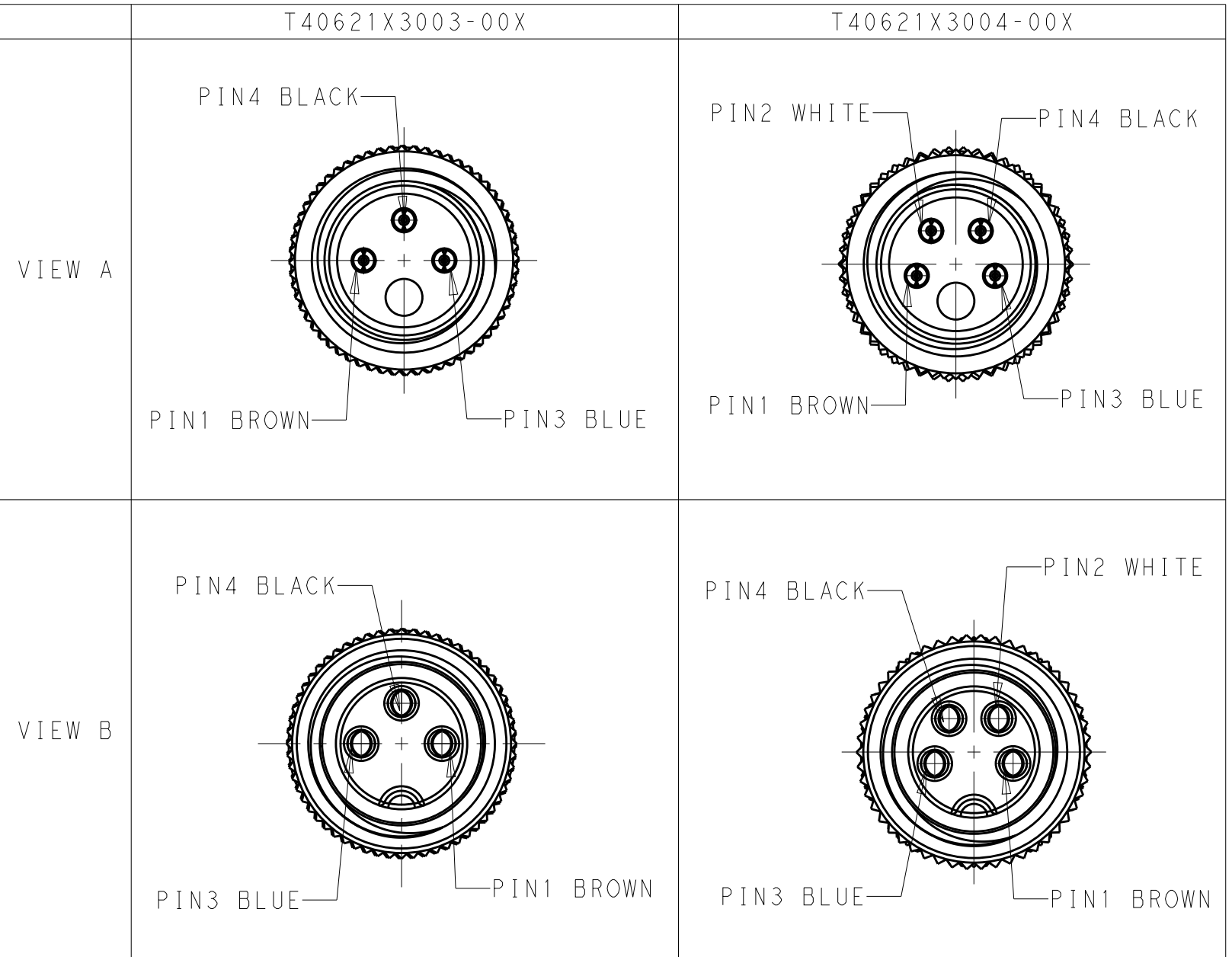
NOTES:
 1. TECHNICAL DATA: SEE TABLE 1
 2. RECOMMEND TORQUE 0.4Nm
 3. TE LABEL AREA.
 4. SEE TABLE 2, REFER TO LENGTH "L"
 -** : CABLE LENGTH. -0.5:0.5m, -1.0:1.0m, -1.5:1.5m...
 5. INSERT MARK FOR MATING.
 6. SEE TABLE 2,REFER TO LENGTH "L"
 CABLE LENGTH CODE:
 STANDARD LENGTH:001...007
 CUSTOMIZATION LENGTH: >1.0M;XX0 OR XX5
 EXAMPLE:3.5M:035;15.0M:150...
 <1.0M;99X
 EXAMPLE:0.4M:994;...0.9M:999

注意事项
 1. 技术参数：见表1
 2. 推荐扭矩0.4Nm；
 3. TE 标签位置；
 4. 参考表 2， 参考长度 "L"
 -*.* : 线缆长度，-0.5:0.5M，-1.0:1.0M，-1.5:1.5M...
 5. 产品对插标示；
 6. 参照表2，参考长度"L"
 线缆长度编码：
 标准长度：001...007
 定制长度：>1.0M;XX0 或 XX5
 例如：3.5M:035;15.0M:150...
 <1.0M;99X
 例如：0.4M:994;...0.9M:999

TABLE 1

TECHNICAL DATA	T40621X3003-00X	T40621X3004-00X
RATED VOLTAGE	60V	30V
RATED CURRENT	3A	
POLLETION DEGREE	3	
OVERVOLTAGE CATEGORY	II	
MATERIAL GROUP	II	
DEGREE OF PROTECTION	IP67	

ITEM	MATERIAL	DESCRIPITON	ITEM
14	TE LABEL		
13	STEEL	WAVE WASHER	
12	STEEL	SPRING	
11	BRASS	SHIELDING	
10	-	CABLE	
9	COPPER ALLOY	COUPLING NUT	
8	RUBBER	O-RING	
7	PA66	HOUSING	
6	COPPER ALLOY	CONTACT	
5	COPPER ALOY	SHIELDING	
4	POLYURETHANE	OVER-MOLDING	
3	COPPER ALLOY	COUPLING NUT	
2	PA66	HOUSING	
1	COPPER ALLOY	CONTACT	



WIRES: 0.25mm ² (24AWG)	STANDARD: -001:0.5M -002:1.0M -003:1.5M -004:3.0M -005:5.0M -006:7.0M -007:10.0M CUSTOMIZATION: -XX0:XX.0 M -XX5:XX.5 M -99X: 0.X M	FIXED: -25°C~80°C FLXIBLE: -10°C~80°C	GRAY	PUR (UL)	RPC-M8-4MS-***SH-M8-4FS-PUR ⁴	4	T4062123004-00X ⁶
CABLE CHARACTERISTIC	LENGTH "L"	RECOMMEND OPERATION TEMPERATURE FOR CABLE	JACKET COLOR	JACKET MATERIAL	RPC-M8-3MS-***SH-M8-3FS-PUR ⁴	3	T4062123003-00X ⁶
					BLACK	PVC (UL)	RPC-M8-4MS-***SH-M8-4FS-PVC ⁴
					RPC-M8-3MS-***SH-M8-3FS-PVC ⁴	3	T4062113003-00X ⁶

THIS DRAWING IS A CONTROLLED DOCUMENT.

DIMENSIONS: mm

TOLERANCES UNLESS OTHERWISE SPECIFIED:

0 PLC	±	
1 PLC	±0.50	
2 PLC	±0.35	
3 PLC	±	
4 PLC	±	
ANGLES	±	
FINISH		

APVD: Xiang Xu 23FEB2016

NAME: M8 CABLE ASSEMBLY SHIELDED TYPE DOUBLE ENDED

SIZE: A2

SCALE: 1:1

SHEET 1 OF 1

REV B