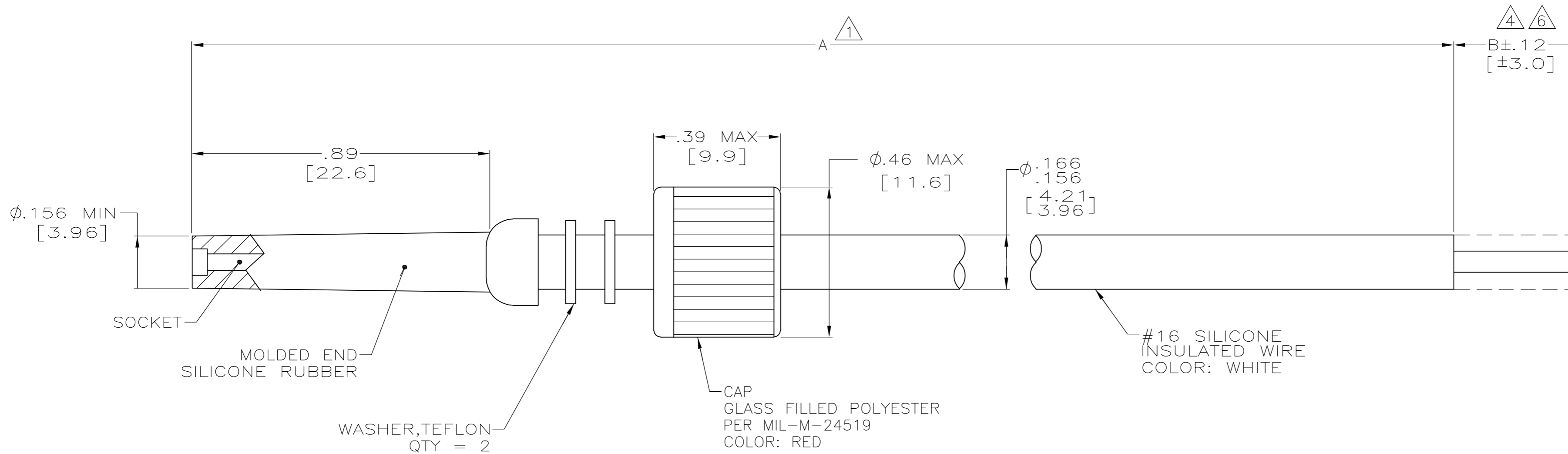


THIS DRAWING IS UNPUBLISHED. RELEASED FOR PUBLICATION
 © COPYRIGHT BY TYCO ELECTRONICS CORPORATION. ALL RIGHTS RESERVED.

LOC	DIST	REVISIONS					
DF	S0	P	LTR	DESCRIPTION	DATE	DWN	APVD
		H		REV PER ECO-05-014991	06FEB06	PY	DE



- 1 TOLERANCE OF LEAD LENGTH:
UP TO 24 INCHES [609.6] = ±.12 [±3.0]
24 INCHES [609.6] & UP = ±1%
- 2. MARKED PER MIL-STD-130.
- 3. TO MATE WITH AMP LGH-1/2L
RECEPTACLE WITH .89 [22.6] BARREL DEPTH.
- 4 "B" DIMENSION IS SOLDER DIPPED.
- 5. OPERATING VOLTAGE: 15 KVDC AT 0 TO 70,000 FEET, -55° C TO 125° C.
- 6 INSULATION CUT, BUT NOT REMOVED

	6	.38 [9.7]	15.00 [381.0]	5-863139-3
OBSOLETE	4	.38 [9.7]	24.00 [609.6]	863139-4
	4	.38 [9.7]	15.00 [381.0]	863139-3
OBSOLETE	4	.25 [6.3]	6.00 [152.4]	863139-2
OBSOLETE	4	.38 [9.7]	21.00 [533.4]	863139-1
REMARKS	B 4	A 1	PART NO.	

THIS DRAWING IS A CONTROLLED DOCUMENT.		DWN	12-20-89	C.C. THOMAS		Tyco Electronics Corporation	
DIMENSIONS: INCHES		CHK	12-20-89	D. EABY		Harrisburg, Pa 17105-3608	
TOLERANCES UNLESS OTHERWISE SPECIFIED:		APVD	-	NAME		LEAD ASS'Y, SGL. END, LGH-1/2L	
0 PLC ± -		PRODUCT SPEC	-	SIZE		CAGE CODE	DRAWING NO
1 PLC ± -		APPLICATION SPEC	-	A2		00779	C=863139
2 PLC ± .02 [0.5]		WEIGHT	-	SCALE		SHEET	OF
3 PLC ± -		CUSTOMER DRAWING	-	4:1		1	1
4 PLC ± -		RESTRICTED TO	-	REV		H	
ANGLES ± -							
FINISH -							