

MODULAR JACK CHARACTERISTICS LEGEND

EXTERNAL CONNECTOR BODY DIMENSIONS: (SEE NOTES 8 AND 9)
 JACKS ARE AVAILABLE IN STANDARD 4, 6, AND 8 POSITION BODY SIZES

NUMBER OF CONTACT POSITIONS:
 CONNECTOR SIZE 4 CAN ACCOMMODATE 2 OR 4 TERMINALS;
 CONNECTOR SIZE 6 CAN ACCOMMODATE 2, 4, OR 6 TERMINALS;
 CONNECTOR SIZE 8 CAN ACCOMMODATE 2, 4, 6, 8, OR 10 TERMINALS

POLARIZATION OPTION:
 "NO"= JACKS WITHOUT KEYING SLOT
 "YES"= JACKS WITH KEYING SLOT (AVAILABLE ON CONNECTOR SIZE 8 ONLY)

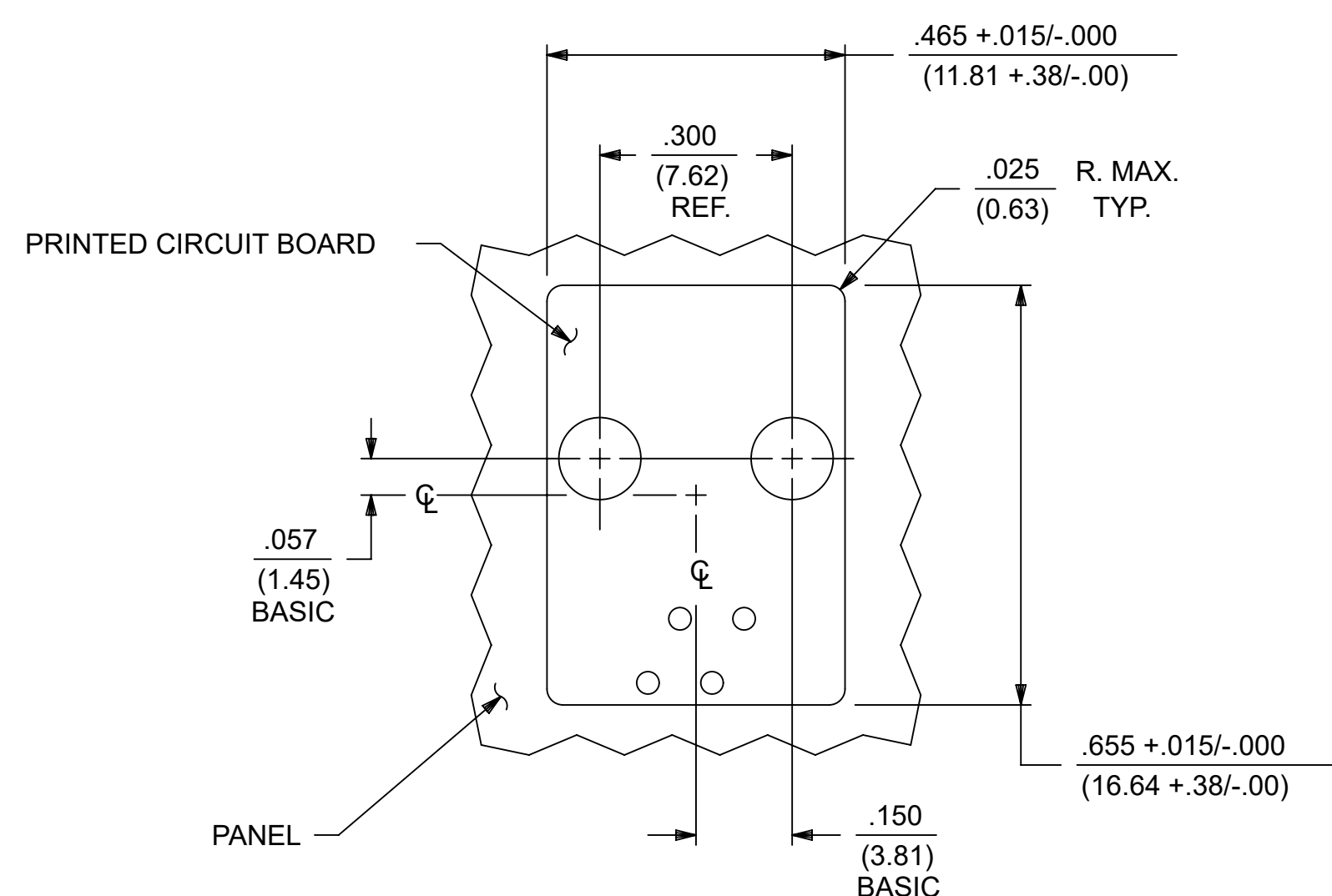
MOUNTING EARS OPTION:
 "YES"= JACKS WITH MOUNTING EARS
 "NO"= JACKS WITHOUT MOUNTING EARS

NOTES:

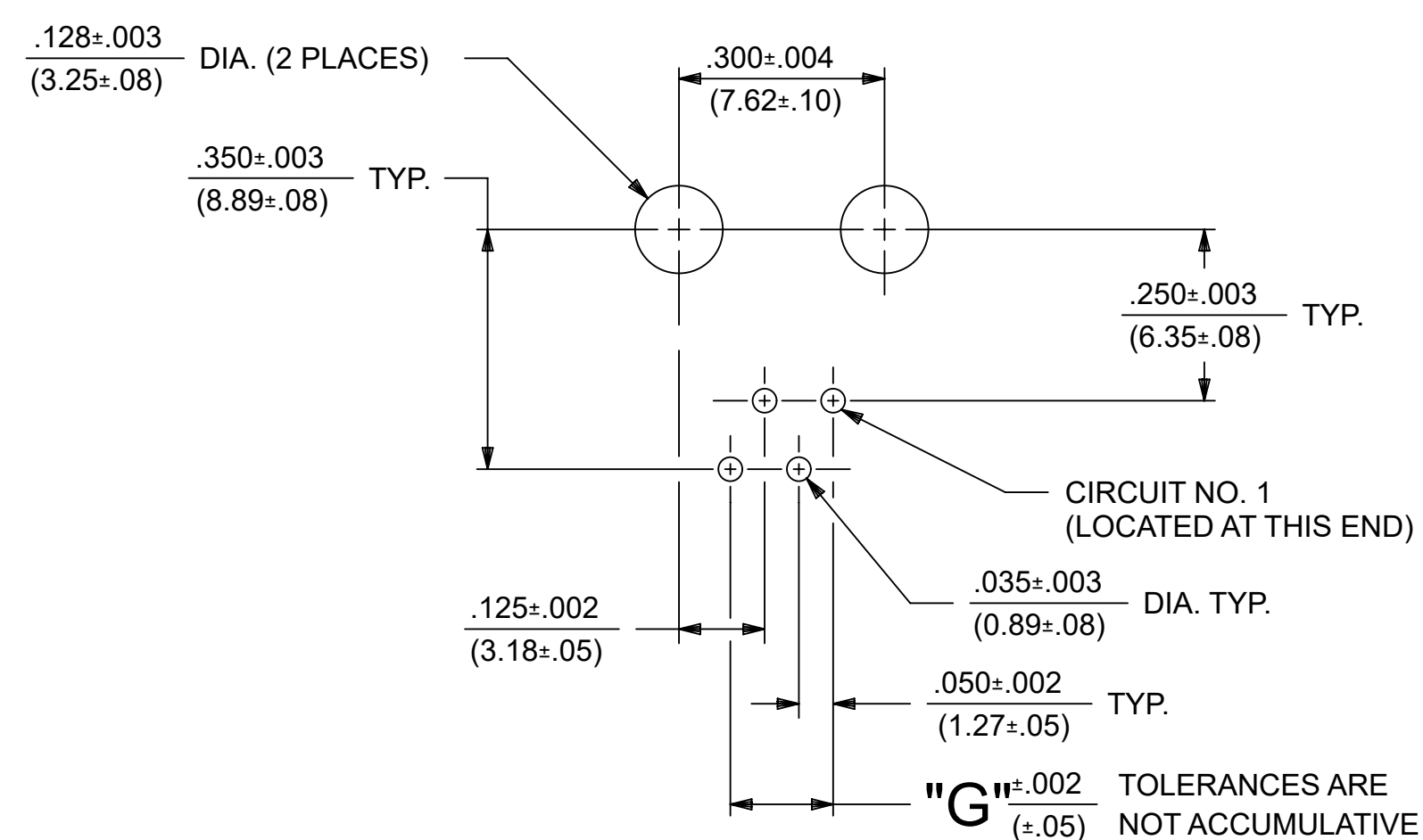
- 1) MATERIALS: HOUSING- POLYESTER, GLASS FILLED, UL94V-0, COLOR - BLACK
 TERMINALS- PHOSPHOR BRONZE ALLOY, .015/(0.38) THICK.
- 2) TERMINAL PLATING:
 SELECT GOLD IN CONTACT AREA: 50 MICROINCHES MIN.,
 *SELECT TIN IN PC TAIL AREA: 100 MICROINCHES MIN.,
 WITH OVERALL NICKEL UNDERPLATE: 50 MICROINCHES MIN.
 *THE PRIMARY SHIPPING CARTON WILL BE LABELED "COMPLIANT TO RoHS DIRECTIVE 2002/95/EC AND ELV ANNEX II OF DIRECTIVE 2000/53/EC". CARTONS WITHOUT THIS LABEL MAY CONTAIN PRODUCT WITH TIN-LEAD IN THE PC TAIL.
- 3) THESE MODULAR JACKS MEET THE PERFORMANCE REQUIREMENTS OF MOLEX PRODUCT SPECIFICATION PS-42878.
- 4) CONNECTORS ARE SHIPPED IN THERMOFORMED TRAYS, PER PACKAGING SPECIFICATION PK-42878-492.
- 5) ALL JACKS ARE DESIGNED TO BE USED WITH .062/(1.57) OR .125/(3.18) THICK P.C. BOARDS.
- 6) ALL JACKS CONFORM TO AND ACCEPT PLUGS WHICH CONFORM TO FCC RULES AND REGULATIONS PART 68, SUBPART F.
- 7) ALL JACKS MUST BE CAPABLE OF FITTING INTO MOLEX GAGE G-42410 (CONNECTOR SIZE 4).
- 8) SEE SHEETS 2 & 4 FOR CONNECTOR SIZE 6.
- 9) SEE SHEETS 3 & 5 FOR CONNECTOR SIZE 8.
- 10) ENGRAVED NUMBERS ON HOUSING BODY ARE FOR MOLDING IDENTIFICATION ONLY, THEY ARE NOT INTENDED FOR ASSEMBLY IDENTIFICATION PURPOSES.
- 11) THIS PART CONFORMS TO CLASS B REQUIREMENTS OF COSMETIC SPECIFICATION PS-45499-002 WITH THE EXCEPTION OF THE SINK WHICH MEETS CLASS C REQUIREMENTS.

P. C. BOARD THICKNESS	DIM. "D" (MTG. PEGS)	DIM. "F" (P.C. TAILS)
.062(1.57)	.128 (3.25)	.120 +.015/- .025 (3.05 +.38/- .63)
.125(3.18)	.191 (4.85)	.205 +.015/- .025 (5.21 +.38/- .63)

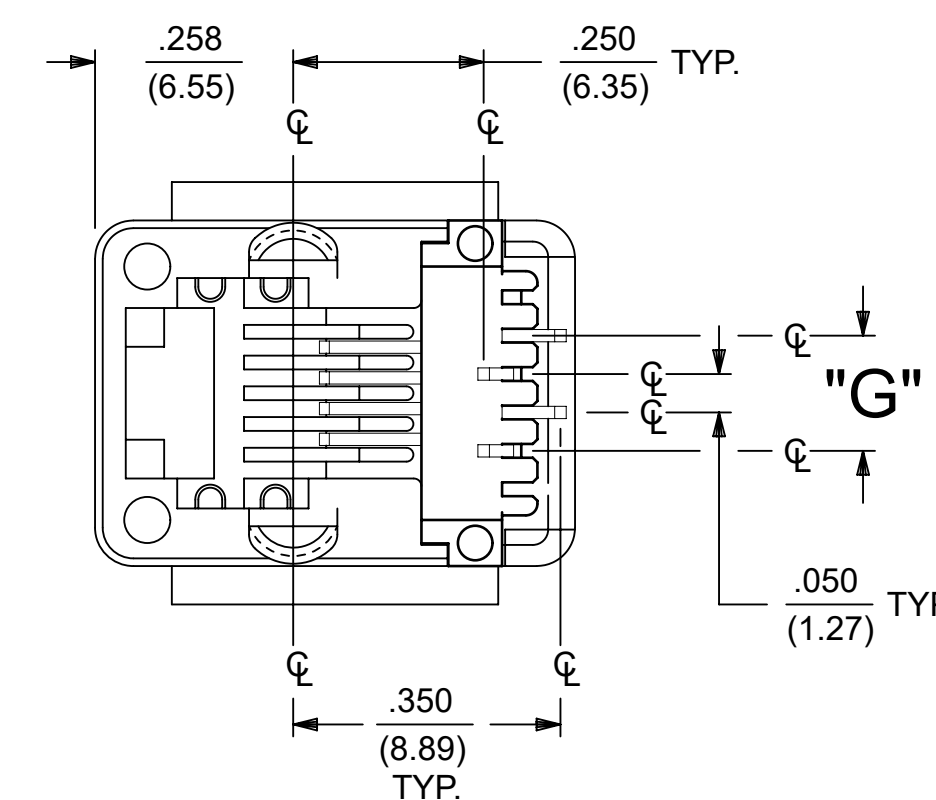
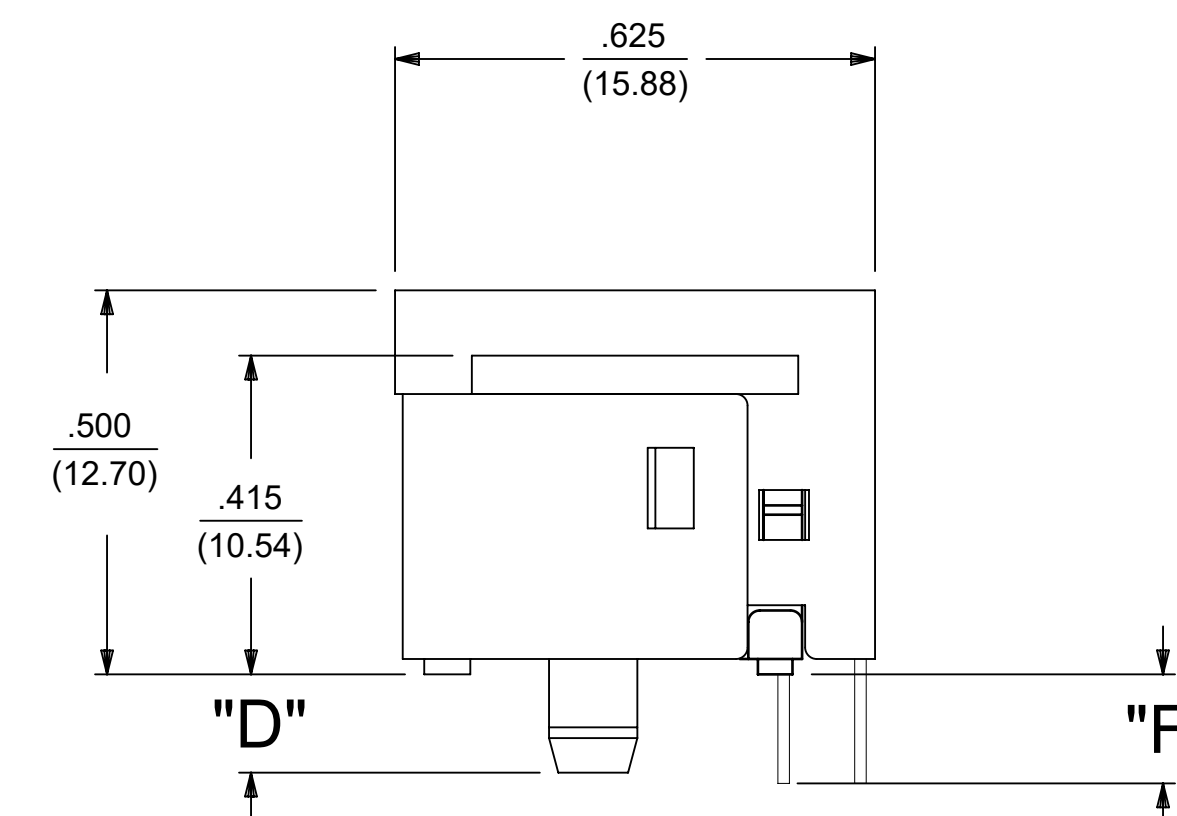
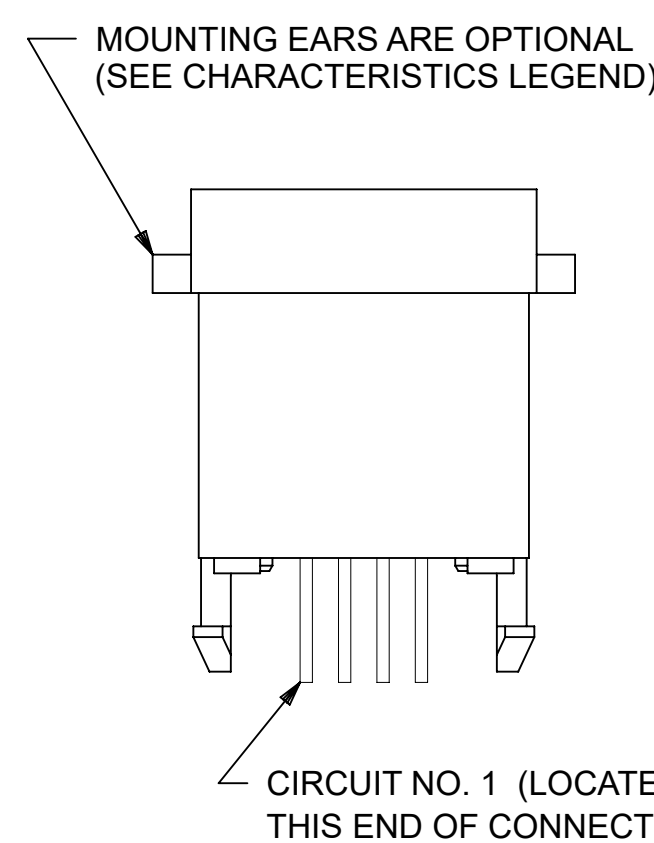
CONNECTOR SIZE	CIRCUIT SIZE	DIM. "G"
4	4	.150 (3.81)
4	2	.050 (1.27)



PANEL CUT-OUT FOR CONNECTOR SIZE 4



P.C. BOARD LAYOUT FOR CONNECTOR SIZE 4



SIZE 4 MODULAR JACK LOADED WITH 4 TERMINALS SHOWN ABOVE

(SEE SHEET 4 FOR PART NUMBER AVAILABILITY)

THIS DRAWING CONTAINS INFORMATION THAT IS PROPRIETARY TO MOLEX ELECTRONIC TECHNOLOGIES, LLC AND SHOULD NOT BE USED WITHOUT WRITTEN PERMISSION		CURRENT REV DESC: OBSOLETE PART NUMBER AS PER PCN#509457.			
DIMENSION UNITS: IN/MM		SCALE: 1:1			
GENERAL TOLERANCES (UNLESS SPECIFIED)				ASSEMBLY, VERTICAL LOW PROFILE, MODULAR JACKS (CONNECTOR SIZE 4)	
				PRODUCT CUSTOMER DRAWING	
4 PLACES ± ±				DOCUMENT NUMBER	
3 PLACES ± ± 0.01				DOC TYPE	
2 PLACES ± 0.25 ±				DOC PART	
1 PLACE ± ±				REVISION	
0 PLACES ± ±				SDA-42878-XXXX	
ANGULAR TOL ± 0.5 °				PSD 001 J	
DRAFT WHERE APPLICABLE MUST REMAIN WITHIN DIMENSIONS		THIRD ANGLE PROJECTION		MATERIAL NUMBER	
		DRAWING: D-SIZE		CUSTOMER	
		SERIES: 42878		SHEET NUMBER	
				1 OF 5	

5	H
4	H
3	H2
2	H2
1	H2
SH	REV

MODULAR JACK CHARACTERISTICS LEGEND

EXTERNAL CONNECTOR BODY DIMENSIONS: (SEE NOTES 8 AND 9)
 JACKS ARE AVAILABLE IN STANDARD 4, 6, AND 8 POSITION BODY SIZES

NUMBER OF CONTACT POSITIONS:
 CONNECTOR SIZE 4 CAN ACCOMMODATE 2 OR 4 TERMINALS;
 CONNECTOR SIZE 6 CAN ACCOMMODATE 2, 4, OR 6 TERMINALS;
 CONNECTOR SIZE 8 CAN ACCOMMODATE 2, 4, 6, 8, OR 10 TERMINALS

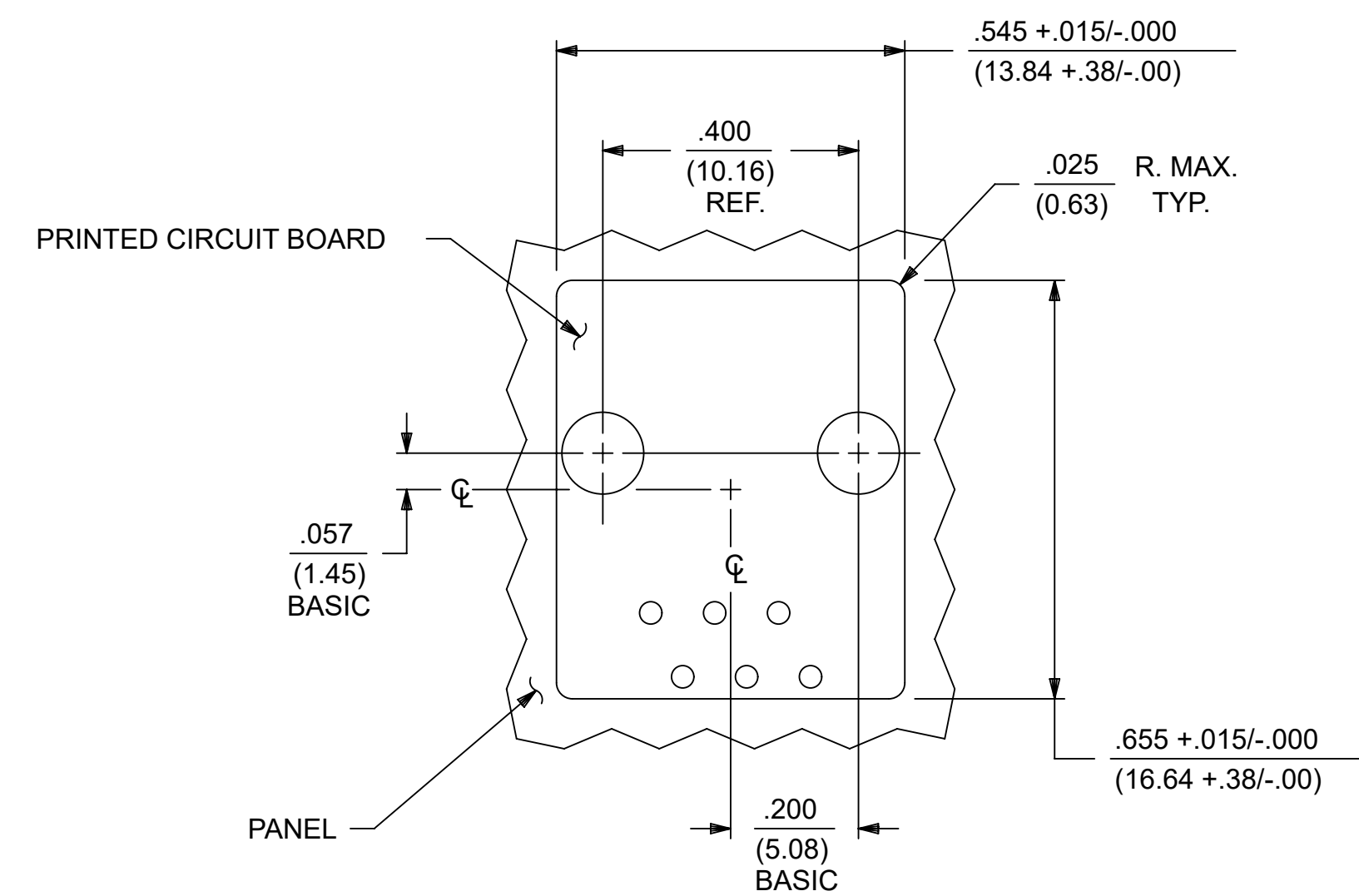
POLARIZATION OPTION:
 "NO"= JACKS WITHOUT KEYING SLOT
 "YES"= JACKS WITH KEYING SLOT (AVAILABLE ON CONNECTOR SIZE 8 ONLY)

MOUNTING EARS OPTION:
 "YES"= JACKS WITH MOUNTING EARS
 "NO"= JACKS WITHOUT MOUNTING EARS

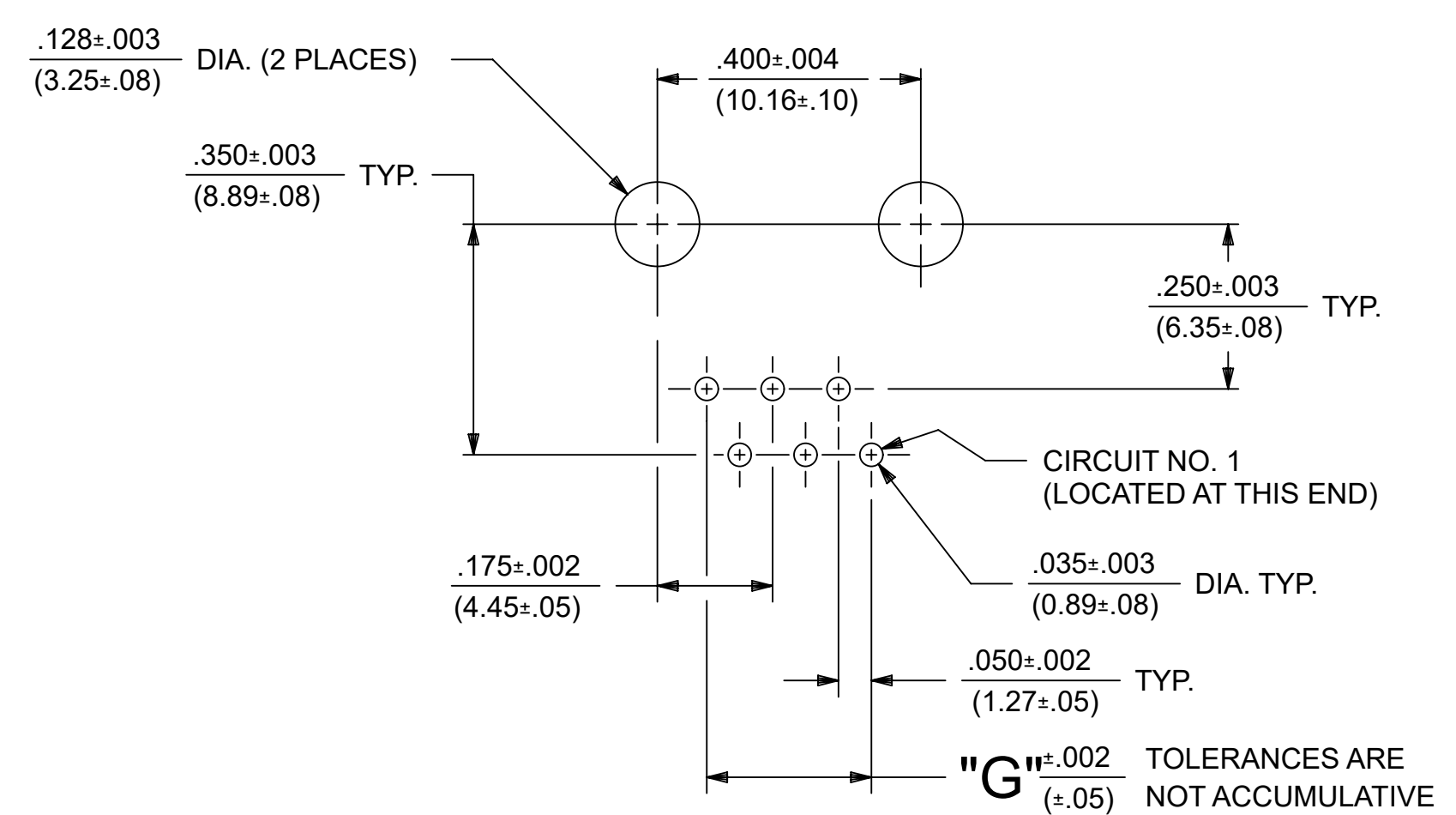
- NOTES:
- 1) MATERIALS: HOUSING- POLYESTER, GLASS FILLED, UL94V-0, COLOR - BLACK
 TERMINALS- PHOSPHOR BRONZE ALLOY, .015/(0.38) THICK.
 - 2) TERMINAL PLATING:
 SELECT GOLD IN CONTACT AREA: 50 MICROINCHES MIN.,
 *SELECT TIN IN PC TAIL AREA: 100 MICROINCHES MIN.,
 WITH OVERALL NICKEL UNDERPLATE: 50 MICROINCHES MIN.
 *THE PRIMARY SHIPPING CARTON WILL BE LABELED "COMPLIANT TO RoHS DIRECTIVE 2002/95/EC AND ELV ANNEX II OF DIRECTIVE 2000/53/EC". CARTONS WITHOUT THIS LABEL MAY CONTAIN PRODUCT WITH TIN-LEAD IN THE PC TAIL.
 - 3) THESE MODULAR JACKS MEET THE PERFORMANCE REQUIREMENTS OF MOLEX PRODUCT SPECIFICATION PS-42878.
 - 4) CONNECTORS ARE SHIPPED IN THERMOFORMED TRAYS, PER PACKAGING SPECIFICATION PK-42878-492.
 - 5) ALL JACKS ARE DESIGNED TO BE USED WITH .062/(1.57) OR .125/(3.18) THICK P.C. BOARDS.
 - 6) ALL JACKS CONFORM TO AND ACCEPT PLUGS WHICH CONFORM TO FCC RULES AND REGULATIONS PART 68, SUBPART F.
 - 7) ALL JACKS MUST BE CAPABLE OF FITTING INTO MOLEX GAGE G-42410 (CONNECTOR SIZE 6).
 - 8) SEE SHEETS 1 & 4 FOR CONNECTOR SIZE 4.
 - 9) SEE SHEETS 3 & 5 FOR CONNECTOR SIZE 8.
 - 10) ENGRAVED NUMBERS ON HOUSING BODY ARE FOR MOLDING IDENTIFICATION ONLY, THEY ARE NOT INTENDED FOR ASSEMBLY IDENTIFICATION PURPOSES.
 - 11) THIS PART CONFORMS TO CLASS B REQUIREMENTS OF COSMETIC SPECIFICATION PS-45499-002 WITH THE EXCEPTION OF THE SINK WHICH CONFORMS TO CLASS C REQUIREMENTS.

P. C. BOARD THICKNESS	DIM. "D" (MTG. PEGS)	DIM. "F" (P.C. TAILS)
.062/(1.57)	.128 (3.25)	.120 +.015/-.025 (3.05 +.38/- .63)
.125/(3.18)	.191 (4.85)	.205 +.015/-.025 (5.21 +.38/- .63)

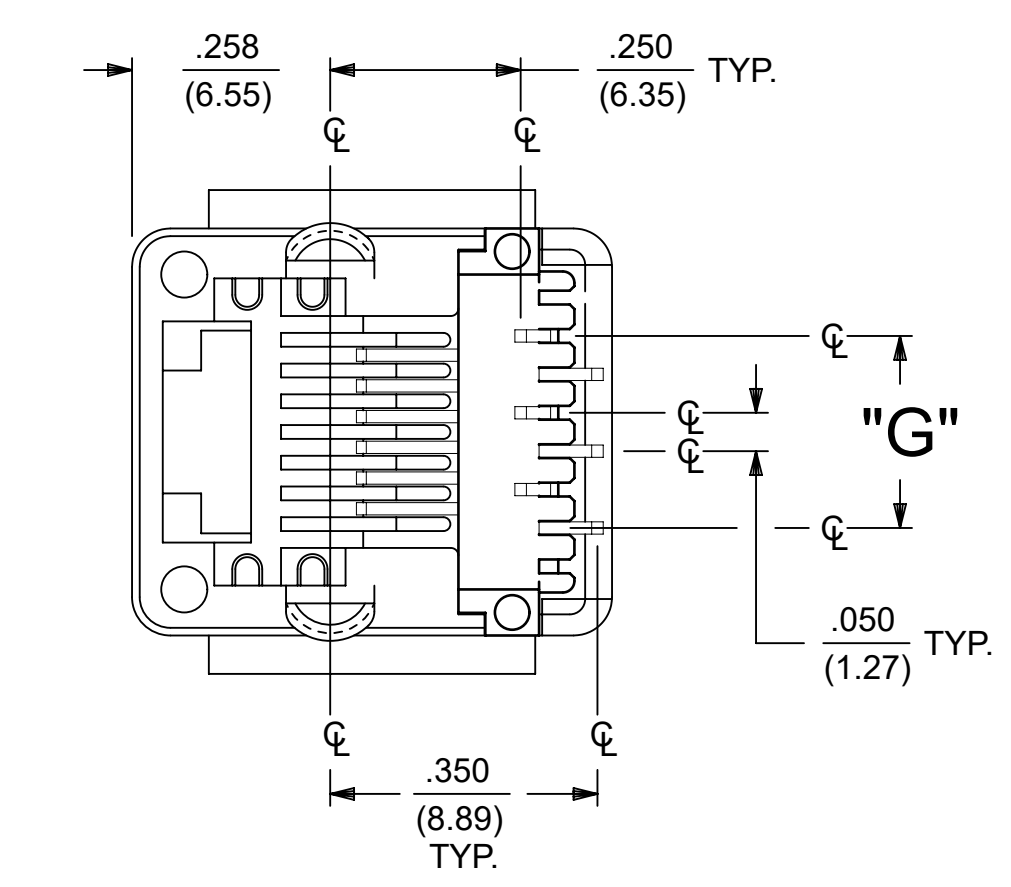
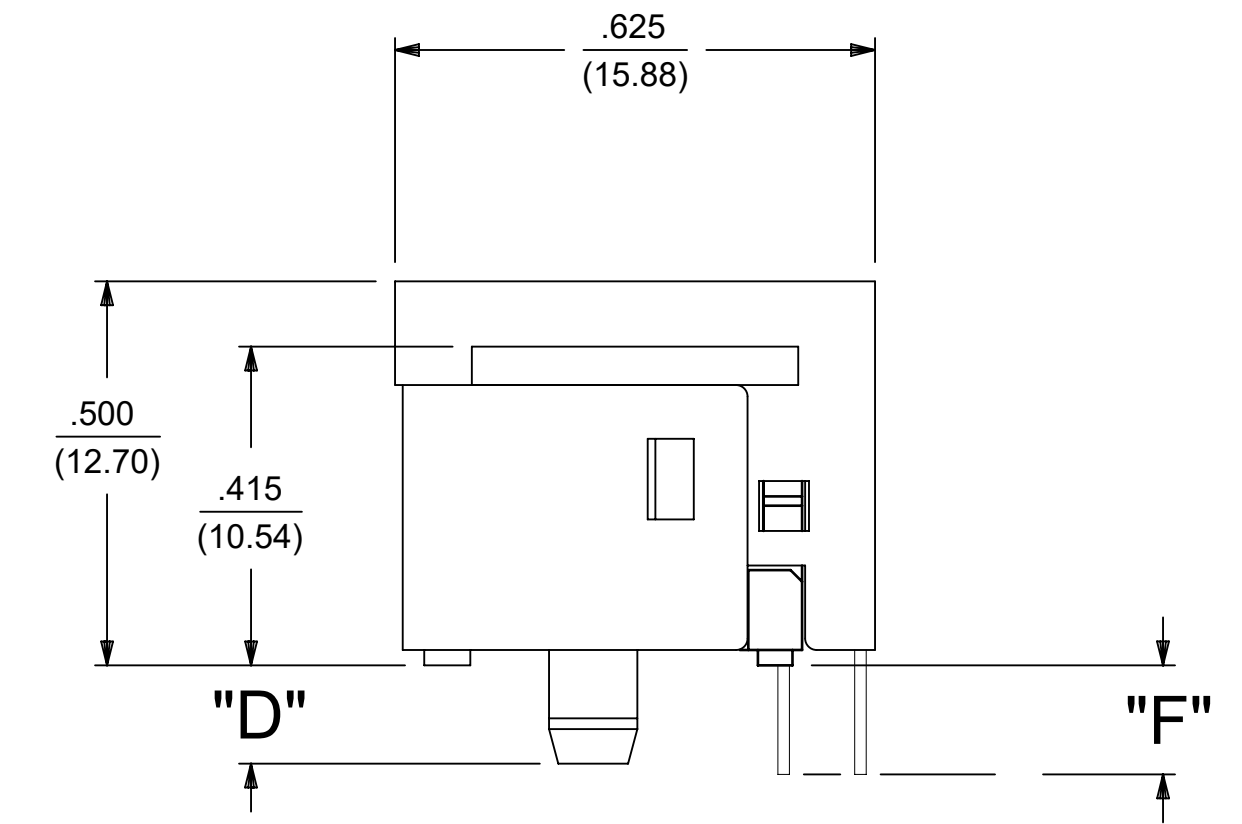
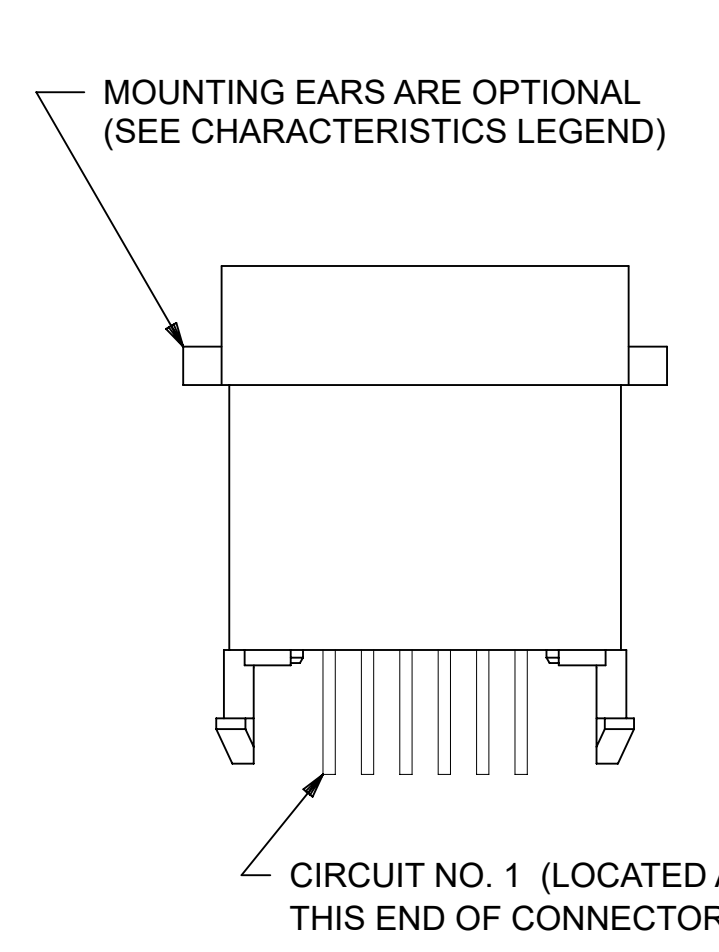
CONNECTOR SIZE	CIRCUIT SIZE	DIM. "G"
6	6	.250 (6.35)
6	4	.150 (3.81)
6	2	.050 (1.27)



PANEL CUT-OUT FOR CONNECTOR SIZE 6



P.C. BOARD LAYOUT FOR CONNECTOR SIZE 6



SIZE 6 MODULAR JACK LOADED WITH 6 TERMINALS SHOWN ABOVE

THIS DRAWING CONTAINS INFORMATION THAT IS PROPRIETARY TO MOLEX ELECTRONIC TECHNOLOGIES, LLC AND SHOULD NOT BE USED WITHOUT WRITTEN PERMISSION		CURRENT REV DESC: OBSOLETE PART NUMBER AS PER PCN#509457.			
DIMENSION UNITS	SCALE	EC NO: 680890			
IN/MM	1:1	DRWN: SANTHN 2021/06/11		ASSEMBLY, VERTICAL LOW PROFILE, MODULAR JACKS (CONNECTOR SIZE 4)	
GENERAL TOLERANCES (UNLESS SPECIFIED)		CHK'D: GGA 2021/11/25			
4 PLACES	±	±	APPR: GGA 2021/11/25	PRODUCT CUSTOMER DRAWING	
3 PLACES	±	± 0.01	INITIAL REVISION:	DOCUMENT NUMBER	DOC TYPE
2 PLACES	±	0.25	DRWN: BAP 1990/10/12	SDA-42878-XXXX	PSD
1 PLACE	±	±	APPR: RAS 1990/10/12	001	J
0 PLACES	±	±			
ANGULAR TOL	±	0.5 °			
DRAFT WHERE APPLICABLE MUST REMAIN WITHIN DIMENSIONS	THIRD ANGLE PROJECTION	DRAWING	SERIES	MATERIAL NUMBER	CUSTOMER
		D-SIZE	42878	SEE TABLE	GENERAL MARKET
					SHEET NUMBER
					2 OF 5

MODULAR JACK CHARACTERISTICS LEGEND

EXTERNAL CONNECTOR BODY DIMENSIONS: (SEE NOTES 8 AND 9)
 JACKS ARE AVAILABLE IN STANDARD 4, 6, AND 8 POSITION BODY SIZES

NUMBER OF CONTACT POSITIONS:
 CONNECTOR SIZE 4 CAN ACCOMMODATE 2 OR 4 TERMINALS;
 CONNECTOR SIZE 6 CAN ACCOMMODATE 2, 4, OR 6 TERMINALS;
 CONNECTOR SIZE 8 CAN ACCOMMODATE 2, 4, 6, 8, OR 10 TERMINALS

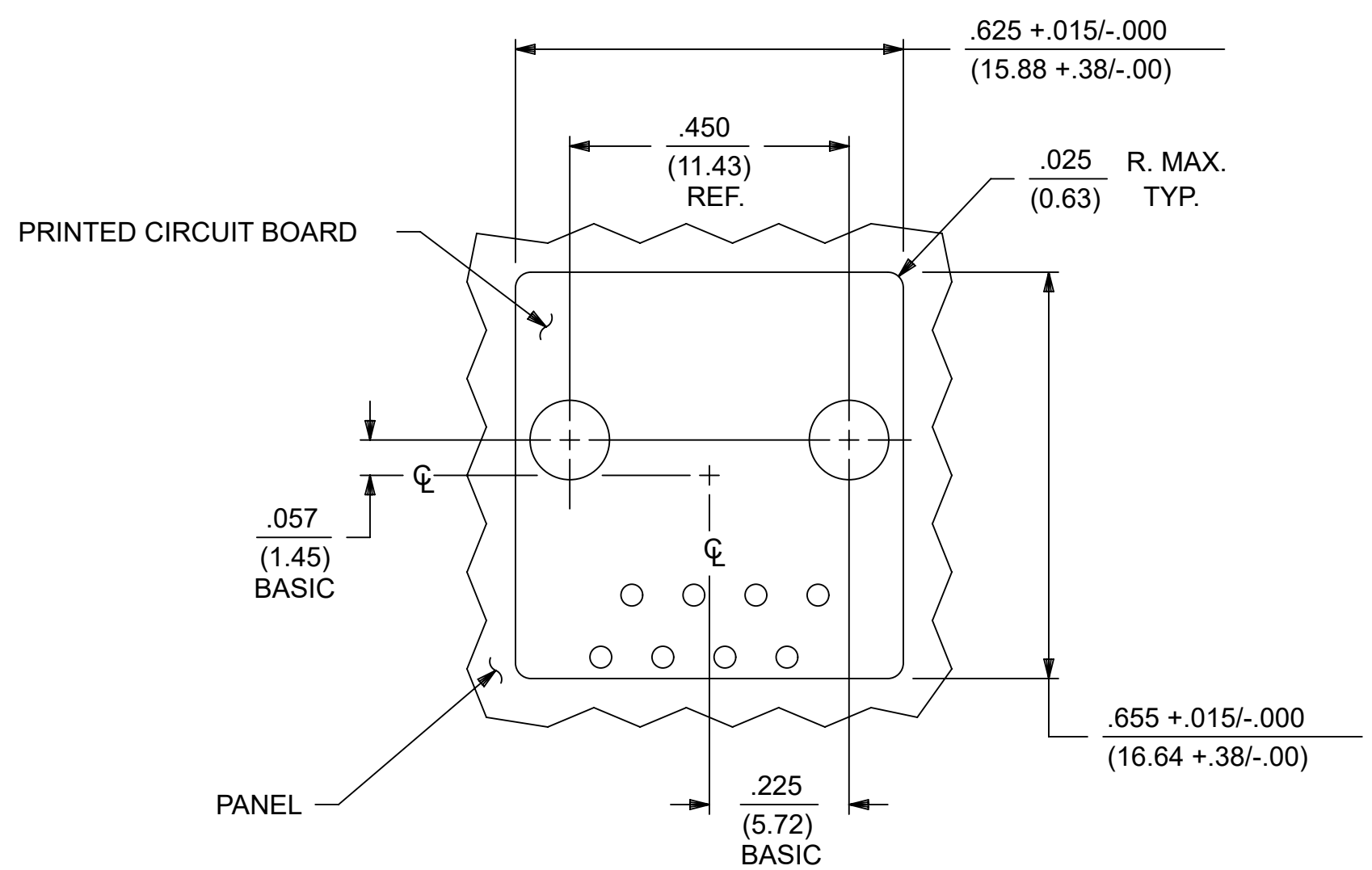
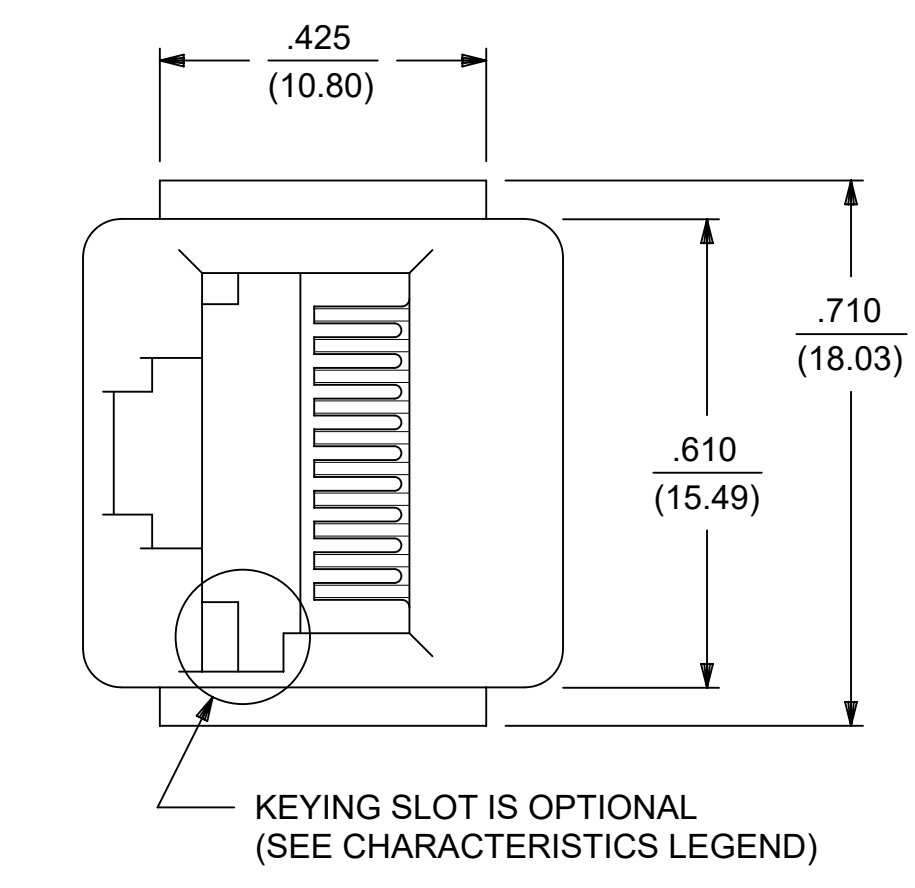
POLARIZATION OPTION:
 "NO"= JACKS WITHOUT KEYING SLOT
 "YES"= JACKS WITH KEYING SLOT (AVAILABLE ON CONNECTOR SIZE 8 ONLY)

MOUNTING EARS OPTION:
 "YES"= JACKS WITH MOUNTING EARS
 "NO"= JACKS WITHOUT MOUNTING EARS

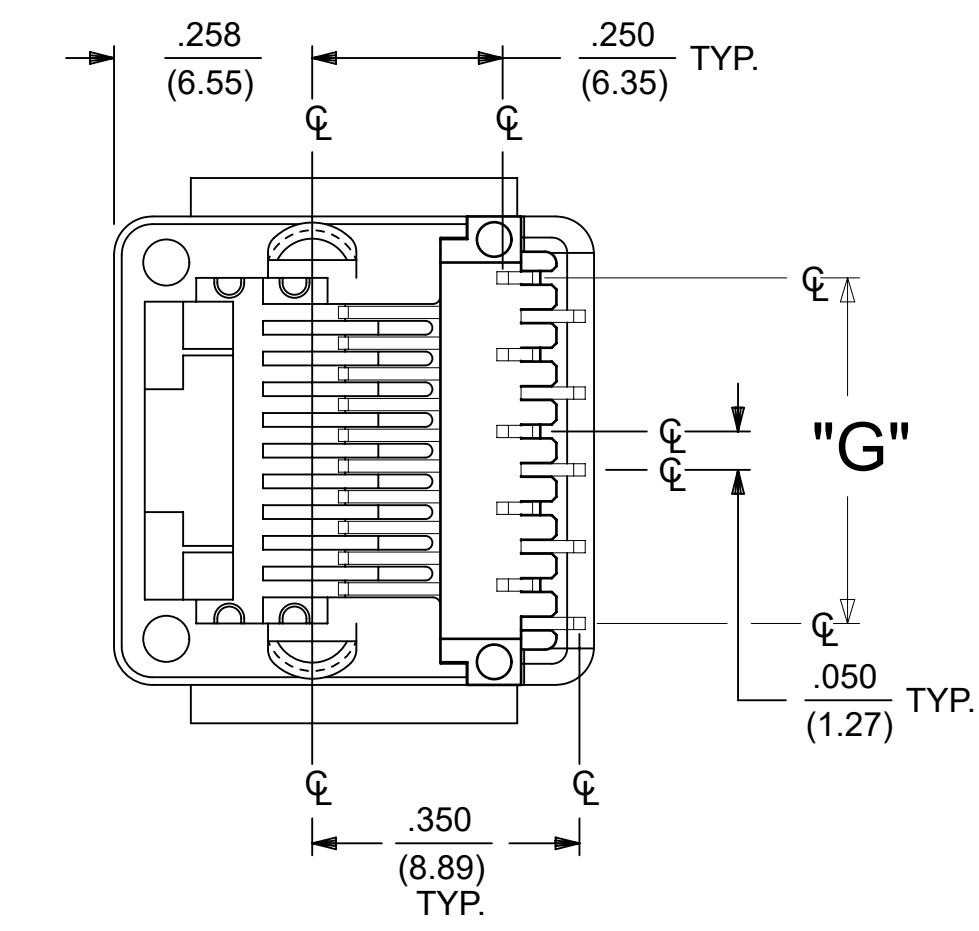
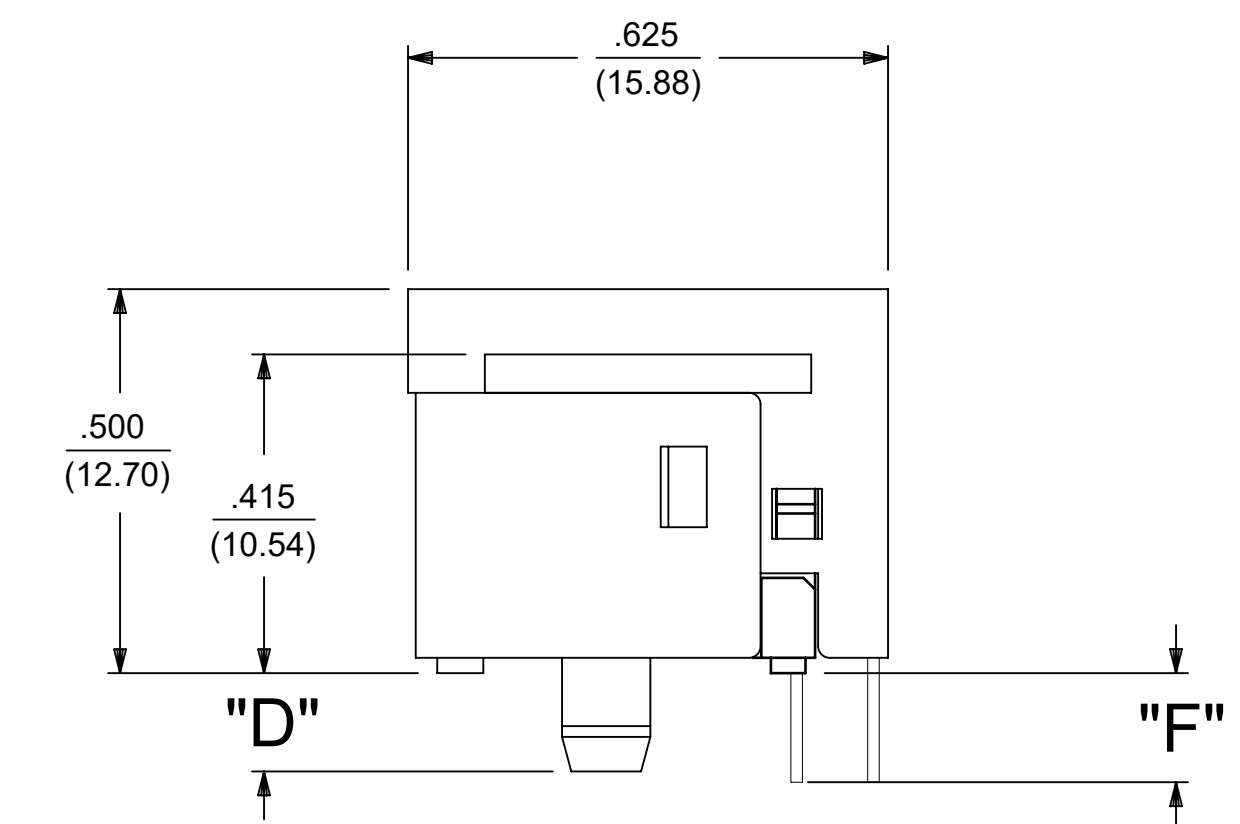
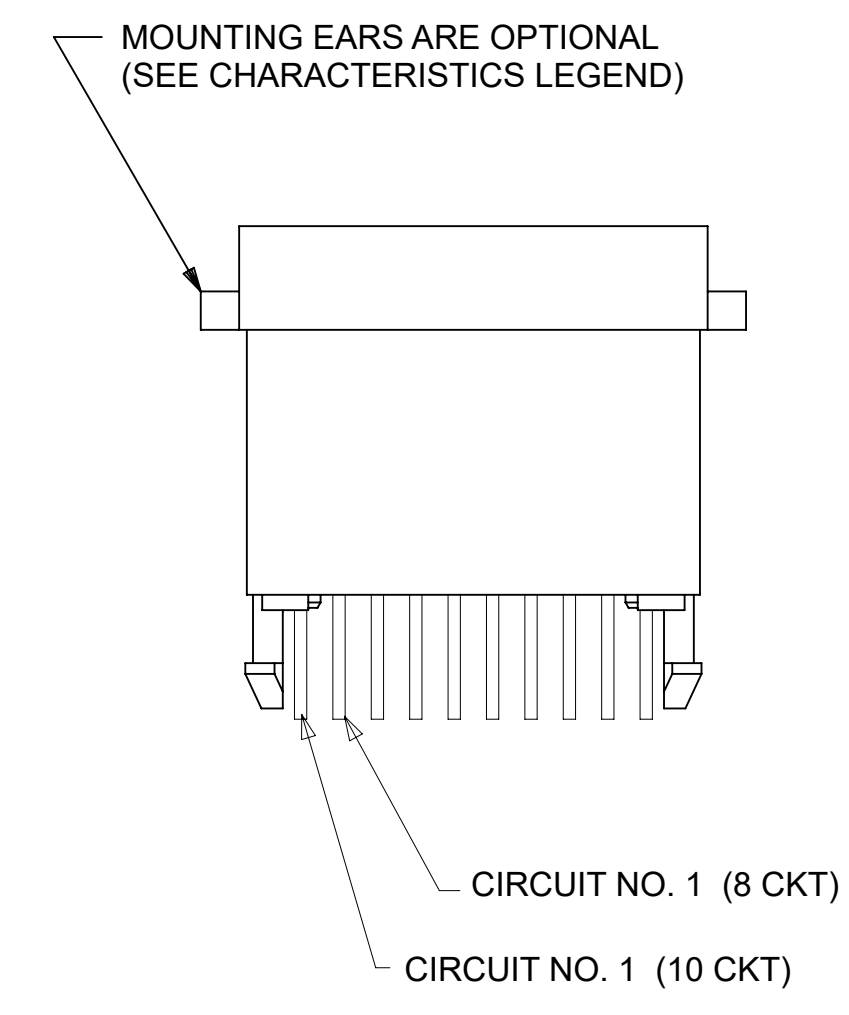
- NOTES:
- 1) MATERIALS: HOUSING- POLYESTER, GLASS FILLED, UL94V-0, COLOR - BLACK
 TERMINALS- PHOSPHOR BRONZE ALLOY, .015/(0.38) THICK.
 - 2) TERMINAL PLATING:
 SELECT GOLD IN CONTACT AREA: 50 MICROINCHES MIN.,
 *SELECT TIN IN PC TAIL AREA: 100 MICROINCHES MIN.,
 WITH OVERALL NICKEL UNDERPLATE: 50 MICROINCHES MIN.
 *THE PRIMARY SHIPPING CARTON WILL BE LABELED "COMPLIANT
 TO RoHS DIRECTIVE 2002/95/EC AND ELV ANNEX II OF DIRECTIVE
 2000/53/EC". CARTONS WITHOUT THIS LABEL MAY CONTAIN
 PRODUCT WITH TIN-LEAD IN THE PC TAIL.
 - 3) THESE MODULAR JACKS MEET THE PERFORMANCE REQUIREMENTS OF MOLEX PRODUCT SPECIFICATION PS-42878.
 - 4) CONNECTORS ARE SHIPPED IN THERMOFORMED TRAYS, PER PACKAGING SPECIFICATION PK-42878-492.
 - 5) ALL JACKS ARE DESIGNED TO BE USED WITH .062/(1.57) OR .125/(3.18) THICK P.C. BOARDS.
 - 6) ALL JACKS CONFORM TO AND ACCEPT PLUGS WHICH CONFORM TO FCC RULES AND REGULATIONS
 PART 68, SUBPART F.
 - 7) ALL JACKS MUST BE CAPABLE OF FITTING INTO MOLEX GAGE G-42410 (CONNECTOR SIZE 8).
 - 8) SEE SHEETS 1 & 4 FOR CONNECTOR SIZE 4.
 - 9) SEE SHEETS 2 & 4 FOR CONNECTOR SIZE 6.
 - 10) ENGRAVED NUMBERS ON HOUSING BODY ARE FOR MOLDING IDENTIFICATION ONLY.
 THEY ARE NOT INTENDED FOR ASSEMBLY IDENTIFICATION PURPOSES.
 - 11) THIS PART CONFORMS TO CLASS B REQUIREMENTS OF COSMETIC SPECIFICATION PS-45499-002
 WITH THE EXCEPTION OF THE SINK WHICH CONFORMS TO CLASS C REQUIREMENTS.

P.C. BOARD THICKNESS	DIM. "D" (MTG. PEGS)	DIM. "F" (P.C. TAILS)
.062/(1.57)	.128 (3.25)	.120 +.015/- .025 (3.05 +.38/- .63)
.125/(3.18)	.191 (4.85)	.205 +.015/- .025 (5.21 +.38/- .63)

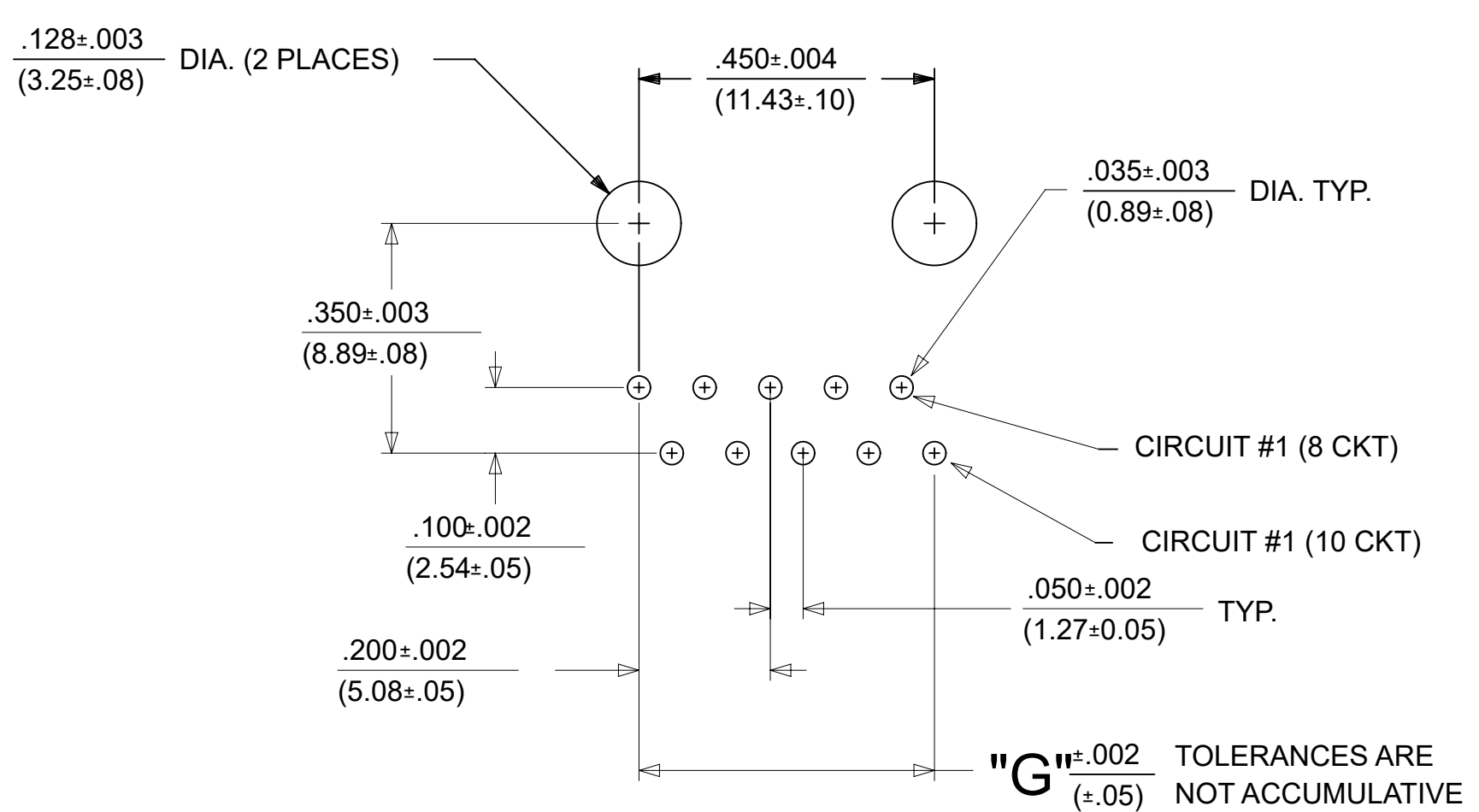
CONNECTOR SIZE	CIRCUIT SIZE	DIM. "G"
8	10	.450 (11.43)
8	8	.350 (8.89)
8	6	.250 (6.35)
8	4	.150 (3.81)
8	2	.050 (1.27)



PANEL CUT-OUT FOR CONNECTOR SIZE 8



SIZE 8 MODULAR JACK LOADED WITH 10 TERMINALS SHOWN ABOVE



P.C. BOARD LAYOUT FOR CONNECTOR SIZE 8

10 CIRCUIT SHOWN

THIS DRAWING CONTAINS INFORMATION THAT IS PROPRIETARY TO MOLEX ELECTRONIC TECHNOLOGIES, LLC AND SHOULD NOT BE USED WITHOUT WRITTEN PERMISSION		CURRENT REV DESC: OBSOLETE PART NUMBER AS PER PCN#509457.			
DIMENSION UNITS	SCALE	EC NO: 680890			
IN/MM	1:1	DRWN: SANTHN 2021/06/11		PRODUCT CUSTOMER DRAWING	
GENERAL TOLERANCES (UNLESS SPECIFIED)		CHK'D: GGA 2021/11/25		DOCUMENT NUMBER	
4 PLACES	±	APPR: GGA 2021/11/25		DOC TYPE	
3 PLACES	±	INITIAL REVISION:		DOC PART	
2 PLACES	± 0.25	DRWN: BAP 1990/10/12		REVISION	
1 PLACE	±	APPR: RAS 1990/10/12		SDA-42878-XXXX	
0 PLACES	±	THIRD ANGLE PROJECTION		PSD 001 J	
ANGULAR TOL	± 0.5 °	DRAWING		GENERAL MARKET	
DRAFT WHERE APPLICABLE MUST REMAIN WITHIN DIMENSIONS		SERIES		SHEET NUMBER	
		D-SIZE 42878		3 OF 5	
		MATERIAL NUMBER		SEE TABLE	
		CUSTOMER		GENERAL MARKET	

ASSEMBLY NUMBER	PART CHARACTERISTICS			
	EXTERNAL CONNECTOR SIZE	NUMBER OF POSITIONS	P. C. BOARD THICKNESS	MOUNTING EARS OPTION
42878-4216	4 POS. BODY	4	.062	YES
42878-4218	4 POS. BODY	4	.062	NO

ASSEMBLY ITEM NUMBER	PART CHARACTERISTICS			
	EXTERNAL CONNECTOR SIZE	NUMBER OF POSITIONS	P. C. BOARD THICKNESS	MOUNTING EARS OPTION
42878-6216	6 POS. BODY	6	.062	YES
42878-6218	6 POS. BODY	6	.062	NO
42878-6362	6 POS. BODY	4	.062	NO
42878-6506	6 POS. BODY	2	.062	NO

CHARACTERISTICS LEGEND			
EXTERNAL CONNECTOR BODY DIMENSIONS: AVAILABLE IN 4, 6, AND 8 POSITION BODY			
NUMBER OF CONTACT POSITIONS: CONNECTOR SIZE 4 ACCOMMODATES 2, 4, OR 4 TERMINALS; CONNECTOR SIZE 6 ACCOMMODATES 2, 4, OR 6 TERMINALS; CONNECTOR SIZE 8 ACCOMMODATES 2, 4, 6, 8, OR 10 TERMINALS			
POLARIZATION OPTION: (AVAILABLE ON CONNECTOR SIZE 8 ONLY) "NO"= WITHOUT KEYING SLOT "YES"= WITH KEYING SLOT			
MOUNTING EARS OPTION: "YES"= PART WITH MOUNTING EARS "NO"= PART WITHOUT MOUNTING EARS			

(SEE SHEET 1 & 2 FOR PART DESCRIPTIONS AND DIMENSIONS)

THIS DRAWING CONTAINS INFORMATION THAT IS PROPRIETARY TO MOLEX ELECTRONIC TECHNOLOGIES, LLC AND SHOULD NOT BE USED WITHOUT WRITTEN PERMISSION AS PER PCN#509457.									
DIMENSION UNITS IN/MM		SCALE 1:1		CURRENT REV DESC: OBSOLETE PART NUMBER AS PER PCN#509457.				molex	
GENERAL TOLERANCES (UNLESS SPECIFIED)				EC NO: 680890		2021/06/11			
		MM	INCH	DRWN: SANTHN		2021/11/25		ASSEMBLY, VERTICAL LOW PROFILE, MODULAR JACKS (CONNECTOR SIZE 4)	
4 PLACES	±		±	CHK'D: GGA		2021/11/25			
3 PLACES	±	0.25	±	APPR: GGA		2021/11/25		PRODUCT CUSTOMER DRAWING	
2 PLACES	±		±	INITIAL REVISION:					
1 PLACE	±		±	DRWN: BAP		1990/10/12		DOCUMENT NUMBER	
0 PLACES	±		±	APPR: RAS		1990/10/12		SDA-42878-XXXX	
ANGULAR TOL		± 0.5 °		THIRD ANGLE PROJECTION		DRAWING		SERIES	
DRAFT WHERE APPLICABLE MUST REMAIN WITHIN DIMENSIONS				D-SIZE		42878		MATERIAL NUMBER	
DOCUMENT STATUS		P1		RELEASE DATE		2021/11/25 12:18:04		CUSTOMER	
								SEE TABLE	
								GENERAL MARKET	
								SHEET NUMBER	
								4 OF 5	

DOCUMENT STATUS	P1	RELEASE DATE	2021/11/25 12:18:04
-----------------	----	--------------	---------------------


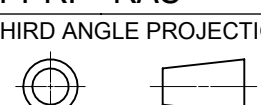
ASSEMBLY ITEM NUMBER	PART CHARACTERISTICS				
	EXTERNAL CONNECTOR SIZE	NUMBER OF POSITIONS	P. C. BOARD THICKNESS	POLARIZATION OPTION	MOUNTING EARS OPTION
42878-8408	8 POS. BODY	8	.062	NO	YES
42878-8410	8 POS. BODY	8	.062	NO	NO
42878-8456	8 POS. BODY	8	.062	YES	YES
42878-8458	8 POS. BODY	8	.062	YES	NO
42878-8506	8 POS. BODY	8	.125	NO	NO

ASSEMBLY ITEM NUMBER	PART CHARACTERISTICS				
	EXTERNAL CONNECTOR SIZE	NUMBER OF POSITIONS	BOARD THICKNESS/ P.C. TAIL OPTION	POLARIZATION OPTION	MOUNTING EARS OPTION
42878-9370	8 POS. BODY	2	.125	NO	NO

ASSEMBLY ITEM NUMBER	PART CHARACTERISTICS				
	EXTERNAL CONNECTOR SIZE	NUMBER OF POSITIONS	BOARD THICKNESS/ P.C. TAIL OPTION	POLARIZATION OPTION	MOUNTING EARS OPTION
42878-1003	8 POS. BODY	10	.062	NO	NO

CHARACTERISTICS LEGEND
EXTERNAL CONNECTOR BODY DIMENSIONS: AVAILABLE IN 4, 6, AND 8 POSITION BODY
NUMBER OF CONTACT POSITIONS: CONNECTOR SIZE 4 ACCOMMODATES 2, OR 4 TERMINALS; CONNECTOR SIZE 6 ACCOMMODATES 2, 4, OR 6 TERMINALS; CONNECTOR SIZE 8 ACCOMMODATES 2, 4, 6, 8, OR 10 TERMINALS
POLARIZATION OPTION: (AVAILABLE ON CONNECTOR SIZE 8 ONLY) "NO"= WITHOUT KEYING SLOT "YES"= WITH KEYING SLOT
MOUNTING EARS OPTION: "YES"= PART WITH MOUNTING EARS "NO"= PART WITHOUT MOUNTING EARS

(SEE SHEET 3 FOR PART DESCRIPTIONS AND DIMENSIONS)

THIS DRAWING CONTAINS INFORMATION THAT IS PROPRIETARY TO MOLEX ELECTRONIC TECHNOLOGIES, LLC AND SHOULD NOT BE USED WITHOUT WRITTEN PERMISSION													
DIMENSION UNITS	SCALE	CURRENT REV DESC: OBSOLETE PART NUMBER AS PER PCN#509457.											
IN/MM	1:1												
GENERAL TOLERANCES (UNLESS SPECIFIED)					ASSEMBLY, VERTICAL LOW PROFILE, MODULAR JACKS (CONNECTOR SIZE 4)								
	MM	INCH				PRODUCT CUSTOMER DRAWING							
4 PLACES	±	±				DOCUMENT NUMBER							
3 PLACES	±	± 0.01				DOC TYPE							
2 PLACES	±	0.25				DOC PART							
1 PLACE	±	±				REVISION							
0 PLACES	±	±				SDA-42878-XXXX							
ANGULAR TOL	±	0.5 °				PSD							
DRAFT WHERE APPLICABLE MUST REMAIN WITHIN DIMENSIONS		THIRD ANGLE PROJECTION		DRAWING		SERIES		MATERIAL NUMBER		CUSTOMER		SHEET NUMBER	
				D-SIZE		42878		SEE TABLE		GENERAL MARKET		5 OF 5	

DOCUMENT STATUS	P1	RELEASE DATE	2021/11/25	12:18:04
-----------------	----	--------------	------------	----------