

# 2 BAY STAC64 RIGHT ANGLE HEADER ASSEMBLY (P/N: 34708-2012 SHOWN)

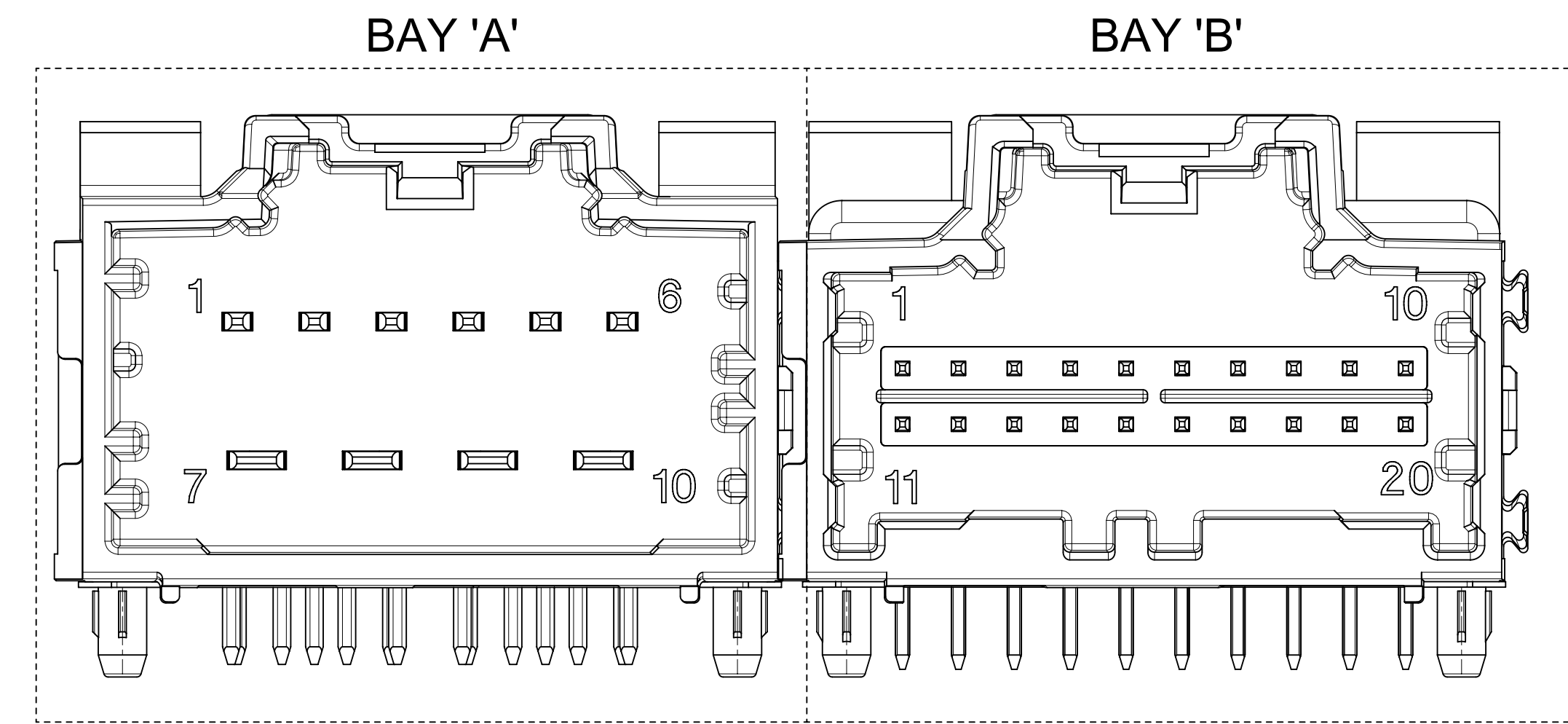


TABLE OF CONTENTS	
1	NOTES, INSPECTION BALLOON NUMBER LOG, REV. TABLE, 2 BAY ASSEMBLY VIEW
2	DIMENSIONAL CHART FOR MULTIBAY CONFIGURATION
3	DIMENSIONAL CHART FOR MULTIBAY CONFIGURATION
4	2 BAY ASSEMBLY VIEW, RECOMMENDED PCB LAYOUT, FLUSH MOUNTING VIEW, POST HOLE TABLE, DIMENSION DETAILS
5	8-20CKT 0.64MM HEADER DETAILS, 14CKT HYBRID HEADER DETAILS, 10CKT HYBRID HEADER DETAILS
6	RECOMMENDED SINGLE PCB LAYOUT FOR 10CKT HYBRID, 14CKT HYBRID, AND 8-20CKT 0.64MM

Y3 NOTES: VALID UNLESS OTHERWISE SPECIFIED

1. GENERAL:
  - a. CONNECTOR HEADER MUST BE VALIDATED TO THE FOLLOWING FUNCTIONAL REQUIREMENTS:  
PRODUCT SPECIFICATION:  
8-20 CKT 0.64 PRODUCT SPEC: PS-34729-020/PS-31408-100  
10/14 CKT HYBRID PRODUCT SPEC: PS-31372-100
  - b. APPLICATION REQUIREMENTS (REFERENCE ONLY):  
APPLICATION SPECIFICATION: AS-34729-020/AS-31408-100
  - c. PACKAGING SPECIFICATION PER MOLEX DRAWING PK-31300-892 (TRAY)
  - d. PACKAGING SPECIFICATION PER MOLEX DRAWING PK-31301-063 (TUBE)
  - e. PACKAGING SPECIFICATION PER MOLEX DRAWING PK-31300-894 (ALT TRAY)
2. MATERIALS:
  - a. SHROUD (PLASTIC HOUSING):  
RESIN - SPS  
COLOR:  
POL A - BLACK  
POL B - GRAY  
POL C - BROWN  
POL D - GREEN
  - b. 0.64mm PINS:  
BASE MATERIAL: COPPER ALLOY  
PLATING TYPE: AS NOTED  
1.5/2.8mm BLADES:  
BASE MATERIAL: COPPER ALLOY  
PLATING TYPE: AS NOTED
3. PLATING REQUIREMENTS:
  - a. UNDERPLATING - OVERALL NICKEL
  - b. OVERPLATING - OVERALL TIN
4. FOR ADDITIONAL INFORMATION AND DIMENSIONS OF INDIVIDUAL BAYS REFER TO THE FOLLOWING SINGLE BAY DRAWINGS:  
8-20 CKT 0.64: SD-34691-100  
10 CKT HYBRID: SD-34696-100  
14 CKT HYBRID: SD-34773-010
5. G DENOTES DIMENSIONS THAT MAY BE QUALIFIED WITH A GAUGE.

Y5	ADDED P/NS 34708-2051 AND 34708-2052 IN SHEET 3	679095	2021.09
Y4	ADDED P/N 34708-2049 IN SHEET 3	670800	2021.07
Y3	1. UPDATED NOTES 2. ADDED NEW P/NS 34708-2048 AND 34708-7048 IN SHEET 3	662724	2021.05
REV.	REV. DESCRIPTION	EC#	DATE

INSPECTION BALLOON NUMBER LOG	
PER DRAWING REVISION:	Y5
LAST BALLOON NUMBER USED:	55
ADDED BALLOON NUMBERS:	
REMOVED BALLOON NUMBERS:	

<b>FUNCTIONAL SYMBOLS</b> $\nabla_A = 0$ $\nabla_C = 0$ $\nabla_P = 0$	THIS DRAWING CONTAINS INFORMATION THAT IS PROPRIETARY TO MOLEX ELECTRONIC TECHNOLOGIES, LLC AND SHOULD NOT BE USED WITHOUT WRITTEN PERMISSION	CURRENT REV DESC:					
	<b>DIMENSION UNITS</b> mm <b>SCALE</b> 4:1	GENERAL TOLERANCES (UNLESS SPECIFIED)			EC NO: 679095 DRWN: CZHANG118 2021/09/27 CHK'D: CDZHANG 2021/10/08 APPR: CDZHANG 2021/10/08 INITIAL REVISION: DRWN: MBAILEY 2008/08/14 APPR: SMARCEAU 2008/08/14		
	ANGULAR TOL $\pm$ 3.0°		DOCUMENT NUMBER <b>SD-34708-200</b>				
	4 PLACES $\pm$ 3 PLACES $\pm$ 2 PLACES $\pm$ 0.13 1 PLACE $\pm$ 0.25 0 PLACES $\pm$	DOC TYPE PSD				DOC PART 001	
DRAFT WHERE APPLICABLE MUST REMAIN WITHIN DIMENSIONS		THIRD ANGLE PROJECTION	DRAWING D-SIZE	SERIES 34708		MATERIAL NUMBER SEE CHART	CUSTOMER GENERAL MARKET

**DIMENSIONAL CHART FOR MULTIBAY CONFIGURATION:**

2 BAY PART NUMBER (ALT TRAY)	2 BAY PART NUMBER (TUBE PKG)	2 BAY PART NUMBER (TRAY PKG)	BAY A			BAY B			DIM 'A'	DIM 'B'	DIM 'C'	DIM 'D'
			CKT	TYPE	POL	CKT	TYPE	POL				
TBD	34708-7000	34708-2000	20	0.64mm	A	20	0.64mm	B	66.94	64.47	27.94	27.94
TBD	TBD	34708-2001	20	0.64mm	B	20	0.64mm	C	66.94	64.47	27.94	27.94
TBD	TBD	34708-2002	20	0.64mm	C	20	0.64mm	D	66.94	64.47	27.94	27.94
TBD	34708-7003	34708-2003	20	0.64mm	C	8	0.64mm	A	51.70	49.23	27.94	12.70
TBD	34708-7004	34708-2004	20	0.64mm	C	12	0.64mm	A	56.78	54.31	27.94	17.78
TBD	TBD	34708-2005	14	HYBRID	C	20	0.64mm	C	66.94	64.47	27.94	27.94
TBD	TBD	34708-2006	16	0.64mm	B	20	0.64mm	B	61.86	59.39	22.86	27.94
TBD	TBD	34708-2007	16	0.64mm	C	20	0.64mm	C	61.86	59.39	22.86	27.94
TBD	TBD	34708-2008	20	0.64mm	A	20	0.64mm	C	66.94	64.47	27.94	27.94
TBD	TBD	34708-2009	8	0.64mm	A	8	0.64mm	B	36.46	33.99	12.70	12.70
TBD	TBD	34708-2010	12	0.64mm	A	10	HYBRID	B	56.78	54.31	17.78	27.94
TBD	TBD	34708-2011	20	0.64mm	C	20	0.64mm	B	66.94	64.47	27.94	27.94
TBD	TBD	34708-2012	10	HYBRID	A	20	0.64mm	C	66.94	64.47	27.94	27.94
TBD	TBD	34708-2013	12	0.64mm	A	20	0.64mm	B	56.78	54.31	17.78	27.94
TBD	TBD	34708-2014	14	HYBRID	C	20	0.64mm	B	66.94	64.47	27.94	27.94
TBD	TBD	34708-2015	20	0.64mm	B	14	HYBRID	C	66.94	64.47	27.94	27.94
TBD	TBD	34708-2016	12	0.64mm	B	20	0.64mm	D	56.78	54.31	17.78	27.94
TBD	TBD	34708-2017	16	0.64mm	A	8	0.64mm	C	46.62	44.15	22.86	12.70
TBD	TBD	34708-2018	12	0.64mm	A	16	0.64mm	A	51.70	49.23	22.86	17.78
TBD	TBD	34708-2019	20	0.64mm	A	12	0.64mm	A	56.78	54.31	27.94	17.78
TBD	34708-7012	34708-2020	10	HYBRID	A	16	0.64mm	A	61.86	59.39	27.94	22.86
TBD	TBD	34708-2021	16	0.64mm	B	16	0.64mm	A	56.78	54.31	22.86	22.86
TBD	TBD	34708-2022	20	0.64mm	C	10	HYBRID	A	66.94	64.47	27.94	27.94
TBD	TBD	34708-2023	20	0.64mm	A	20	0.64mm	C	66.94	64.47	27.94	27.94
TBD	TBD	34708-2024	8	0.64mm	A	10	HYBRID	A	51.70	49.23	12.70	27.94
TBD	TBD	34708-2025	8	0.64mm	B	10	HYBRID	A	51.70	49.23	12.70	27.94
TBD	TBD	34708-2026	16	0.64mm	A	20	0.64mm	A	61.86	59.39	22.86	27.94
TBD	TBD	34708-2027	8	0.64mm	B	8	0.64mm	B	36.46	33.99	12.70	12.70
TBD	TBD	34708-2028	16	0.64mm	A	8	0.64mm	A	46.62	44.15	22.86	12.70
TBD	TBD	34708-2029	12	0.64mm	A	12	0.64mm	B	46.62	44.15	17.78	17.78
TBD	34708-7030	34708-2030	10	HYBRID	B	10	HYBRID	A	66.94	64.47	27.94	27.94
TBD	TBD	34708-2031	12	0.64mm	B	12	0.64mm	A	46.62	44.15	17.78	17.78
TBD	TBD	34708-2032	20	0.64mm	D	16	0.64mm	B	61.68	59.39	27.94	22.86
TBD	TBD	34708-2033	20	0.64mm	D	16	0.64mm	C	61.86	59.39	27.94	22.86
TBD	TBD	34708-2034	16	0.64mm	B	20	0.64mm	D	61.68	59.39	22.86	27.94
TBD	TBD	34708-2035	16	0.64mm	C	20	0.64mm	D	61.86	59.39	22.86	27.94
TBD	TBD	34708-2036	8	0.64mm	C	16	0.64mm	C	46.62	44.15	12.70	22.86
34708-7537	TBD	34708-2037	16	0.64mm	A	10	HYBRID	B	61.86	59.39	22.86	27.94
34708-7538	TBD	34708-2038	10	HYBRID	A	16	0.64mm	C	61.86	59.39	27.94	22.86
TBD	TBD	34708-2039	14	HYBRID	A	20	0.64mm	D	66.94	64.47	27.94	27.94
TBD	TBD	34708-2040	20	0.64mm	A	8	0.64mm	A	51.70	49.23	27.94	12.70
TBD	TBD	34708-2041	12	0.64mm	B	16	0.64mm	A	51.70	49.23	17.78	22.86
TBD	TBD	34708-2042	16	0.64mm	A	16	0.64mm	A	56.78	54.31	22.86	22.86
TBD	TBD	34708-2043	20	0.64mm	B	20	0.64mm	A	66.94	64.47	27.94	27.94
TBD	TBD	34708-2044	10	HYBRID	A	10	HYBRID	B	66.94	64.47	27.94	27.94
TBD	TBD	34708-2045	20	0.64mm	A	14	HYBRID	B	66.94	64.47	27.94	27.94
TBD	TBD	34708-2046	20	0.64mm	C	14	HYBRID	A	66.94	64.47	27.94	27.94



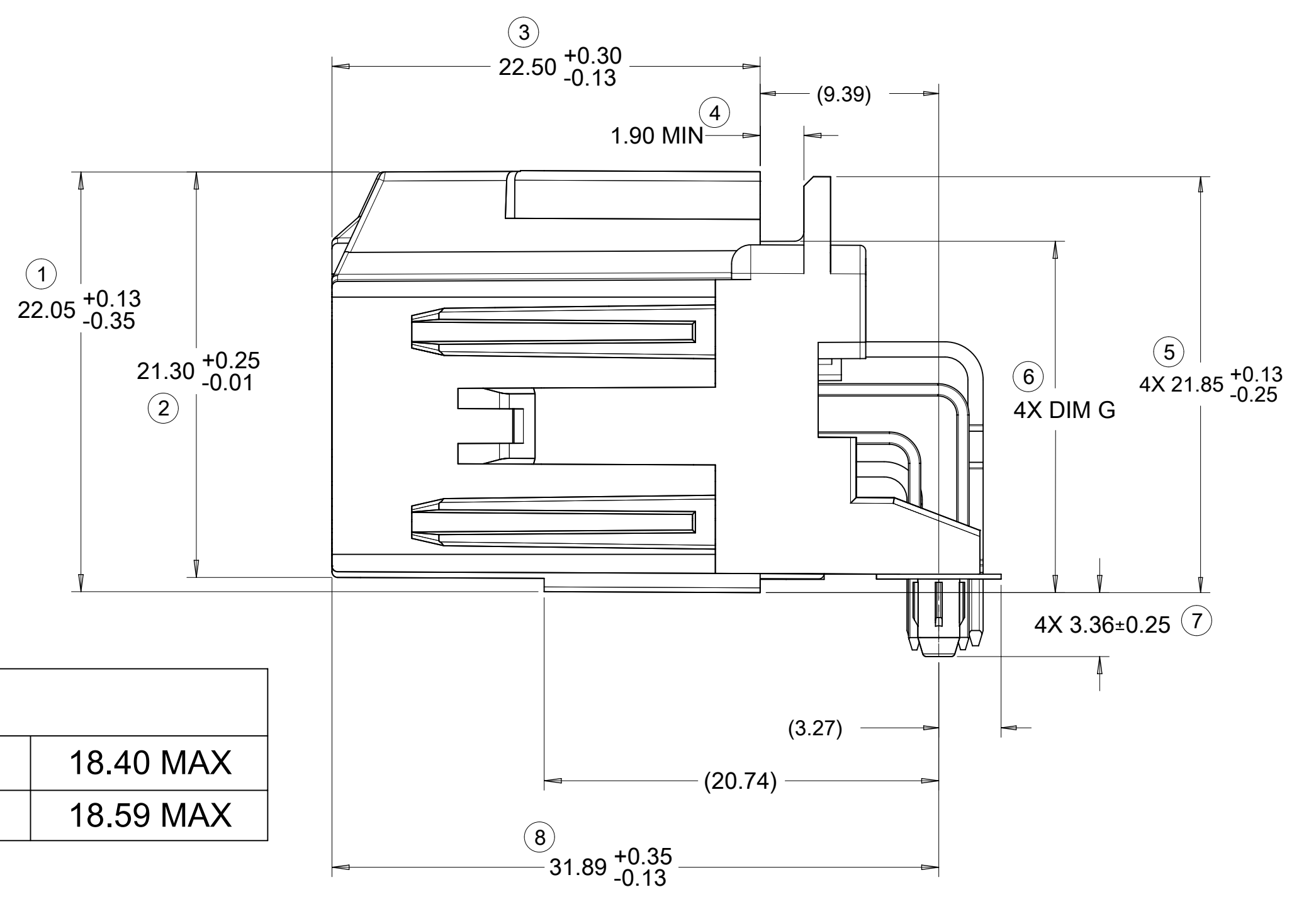
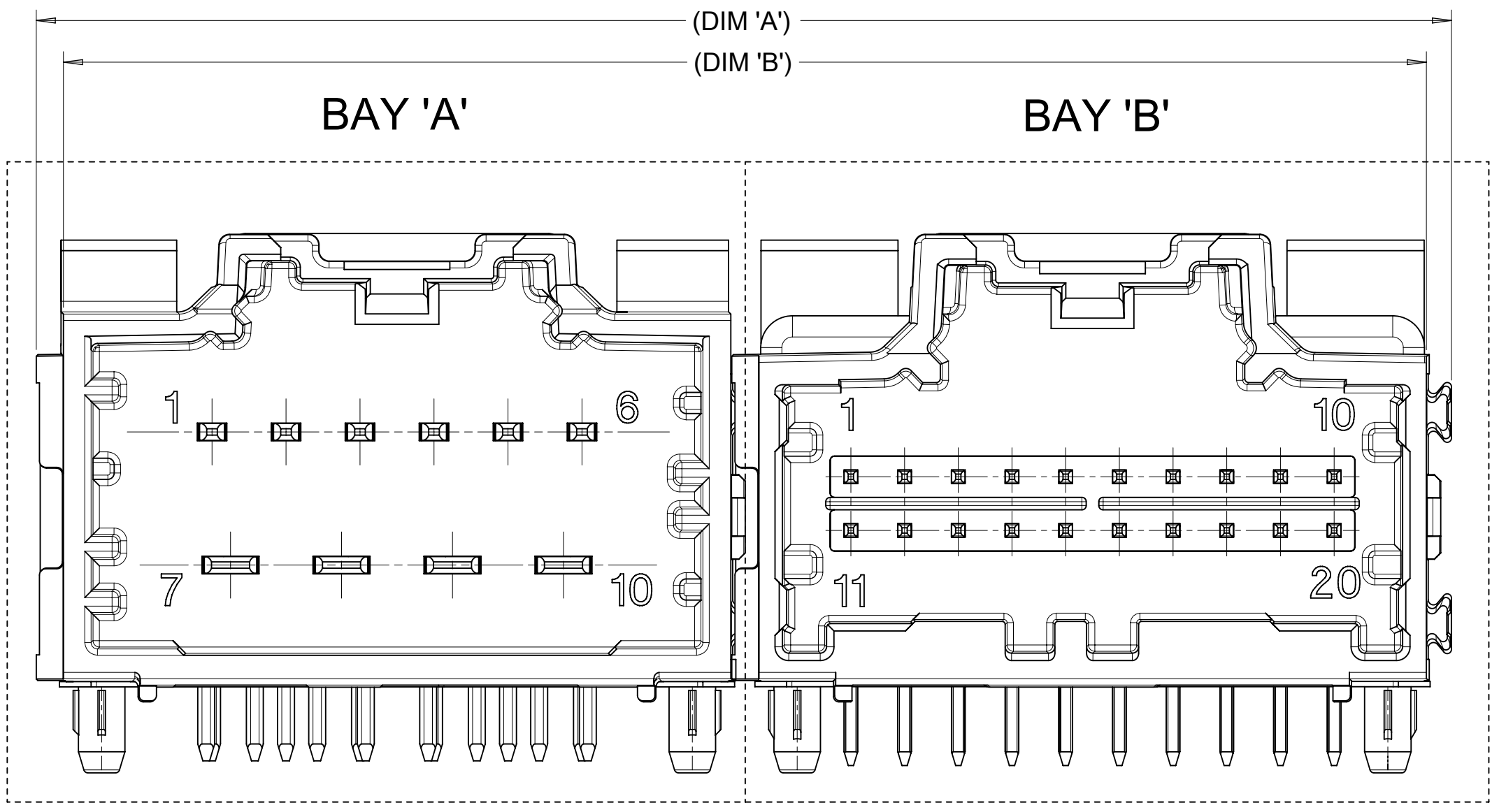
FUNCTIONAL SYMBOLS FA = 0 FE = 0 FP = 0	THIS DRAWING CONTAINS INFORMATION THAT IS PROPRIETARY TO MOLEX ELECTRONIC TECHNOLOGIES, LLC AND SHOULD NOT BE USED WITHOUT WRITTEN PERMISSION		CURRENT REV DESC:		
	DIMENSION UNITS	SCALE			
	mm	4:1			2-BAY STAC64 RIGHT ANGLE HEADER ASSEMBLY SALES DRAWING
	GENERAL TOLERANCES (UNLESS SPECIFIED)				
	ANGULAR TOL ± 3.0°				PRODUCT CUSTOMER DRAWING
	4 PLACES	±			
	3 PLACES	±			DOCUMENT NUMBER: <b>SD-34708-200</b> PSD    001    Y5
	2 PLACES	± 0.13			
	1 PLACE	± 0.25			EC NO: 679095 DRWN: CZHANG118    2021/09/27 CHK'D: CDZHANG    2021/10/08 APPR: CDZHANG    2021/10/08
	0 PLACES	±			
DIVISIONAL SYMBOLS	DRAFT WHERE APPLICABLE MUST REMAIN WITHIN DIMENSIONS		THIRD ANGLE PROJECTION	DRAWING	SHEET NUMBER
				<b>D-SIZE</b>	<b>2 OF 6</b>
		<b>34708</b>	SERIES	MATERIAL NUMBER	CUSTOMER
		SEE CHART			GENERAL MARKET

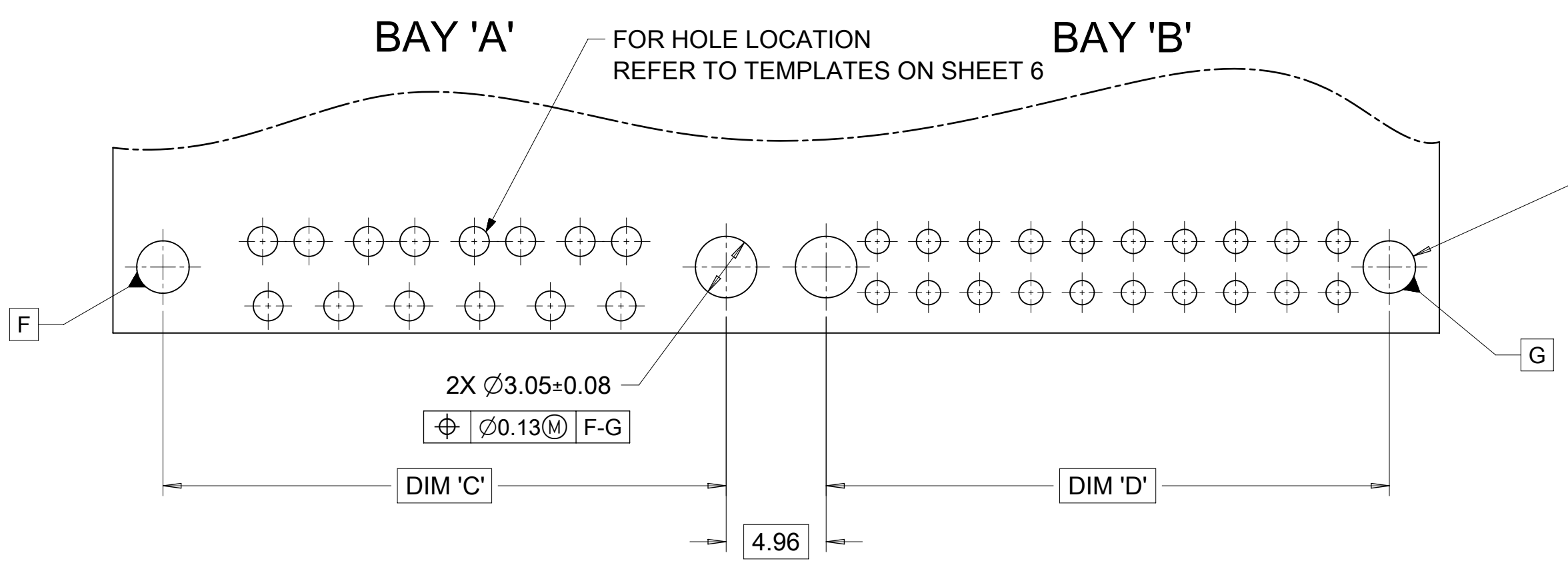


TABLE OF CONTENTS	
2	BAY ASSEMBLY VIEW, RECOMMENDED PCB LAYOUT, FLUSH MOUNTING VIEW, POST HOLE TABLE, DIMENSION DETAILS



FOR DIM G:	
8-20CKT 0.64mm	18.40 MAX
10/14CKT Hybrid	18.59 MAX

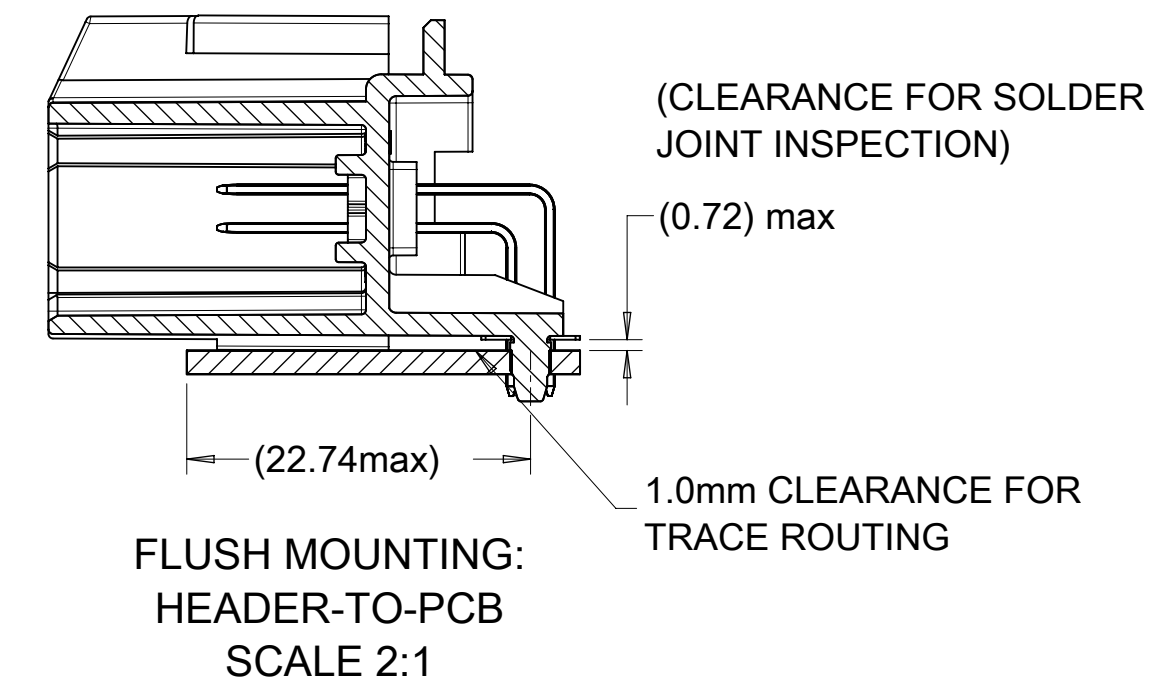
**RECOMMENDED PCB LAYOUT**  
INSERT NECESSARY BAYS USING CHART ON SHEET 2 AND 3



**POST HOLE TABLE:**

FOR DIM Z:	
PRESS FIT:	2.60
DROP IN:	3.05

**ALL CIRCUIT OPTIONS**

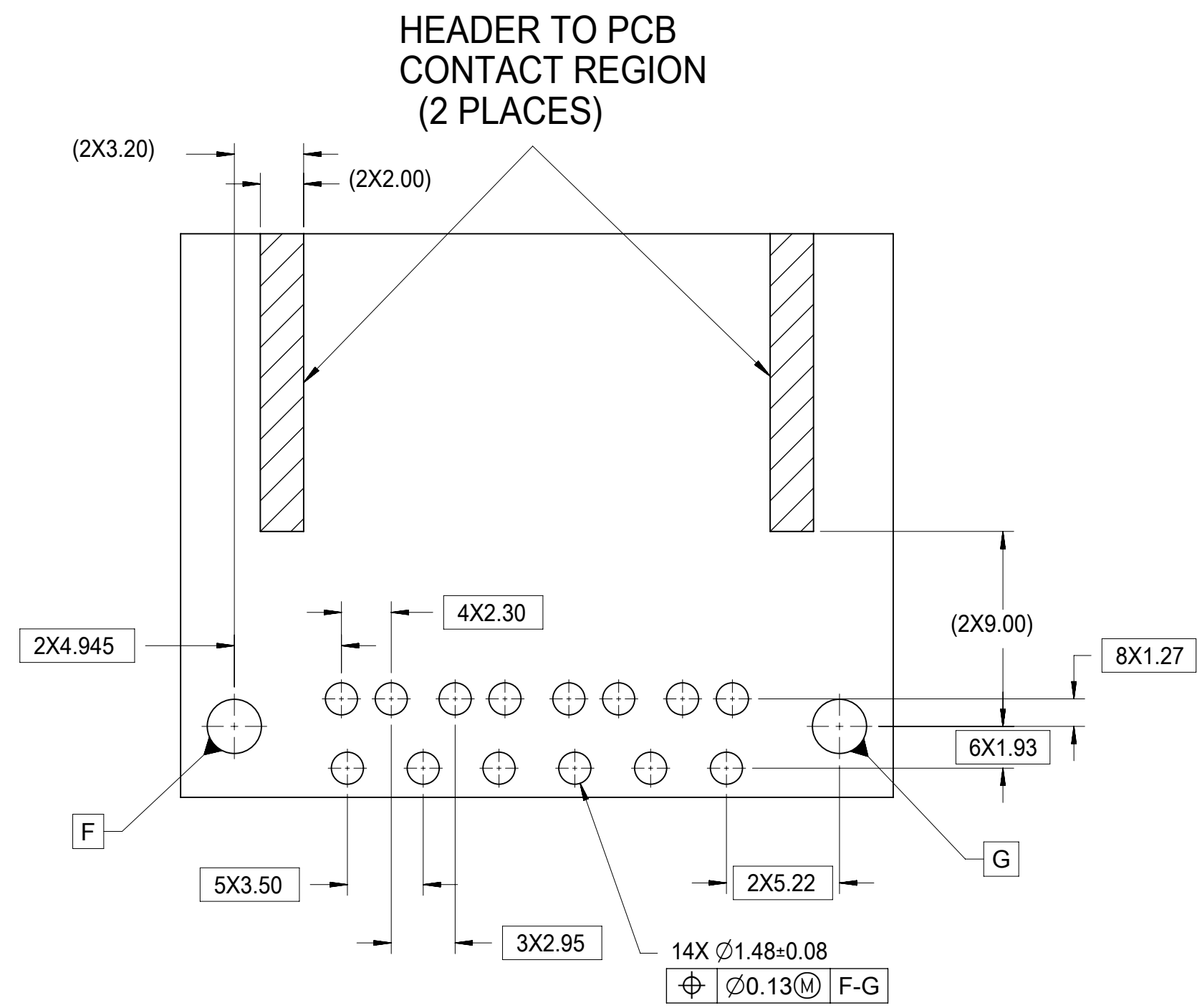


<b>FUNCTIONAL SYMBOLS</b> FA = 0 FE = 0 FP = 0 <b>DIVISIONAL SYMBOLS</b>	THIS DRAWING CONTAINS INFORMATION THAT IS PROPRIETARY TO MOLEX ELECTRONIC TECHNOLOGIES, LLC AND SHOULD NOT BE USED WITHOUT WRITTEN PERMISSION	DIMENSION UNITS: <b>mm</b> SCALE: <b>4:1</b>	CURRENT REV DESC: EC NO: 679095 DRWN: CZHANG118 2021/09/27 CHK'D: CDZHANG 2021/10/08 APPR: CDZHANG 2021/10/08 INITIAL REVISION: DRWN: MBAILEY 2008/08/14 APPR: SMARCEAU 2008/08/14			
	GENERAL TOLERANCES (UNLESS SPECIFIED) ANGULAR TOL ± 3.0° 4 PLACES ± 3 PLACES ± 2 PLACES ± 0.13 1 PLACE ± 0.25 0 PLACES ±			<b>2-BAY STAC64 RIGHT ANGLE HEADER ASSEMBLY SALES DRAWING</b>		
	DRAFT WHERE APPLICABLE MUST REMAIN WITHIN DIMENSIONS			<b>PRODUCT CUSTOMER DRAWING</b>		
	THIRD ANGLE PROJECTION			DOCUMENT NUMBER: <b>SD-34708-200</b> MATERIAL NUMBER: <b>SEE CHART</b>	DOC TYPE: <b>PSD</b> DOC PART: <b>001</b> REVISION: <b>Y5</b>	SHEET NUMBER: <b>4 OF 6</b>

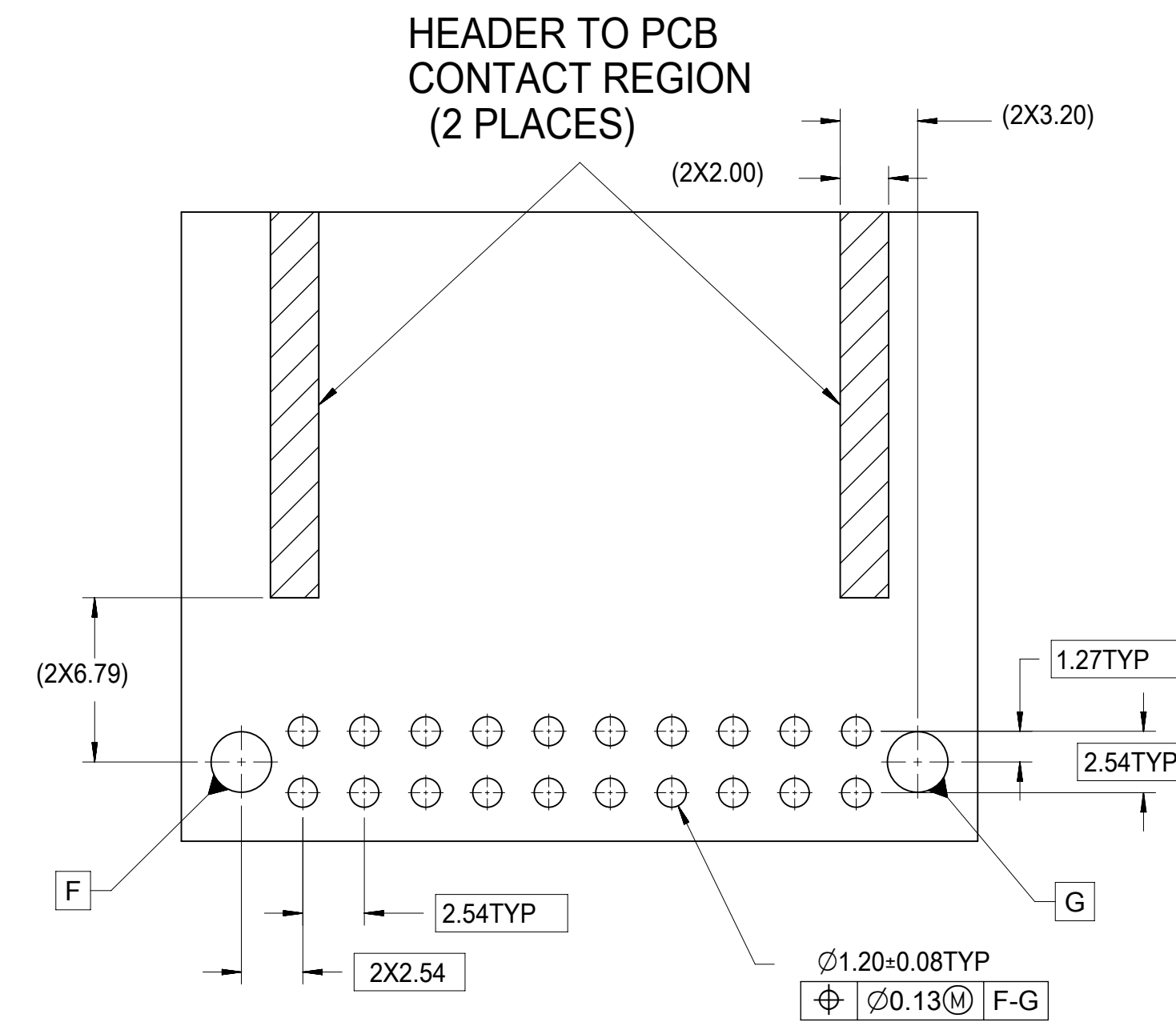




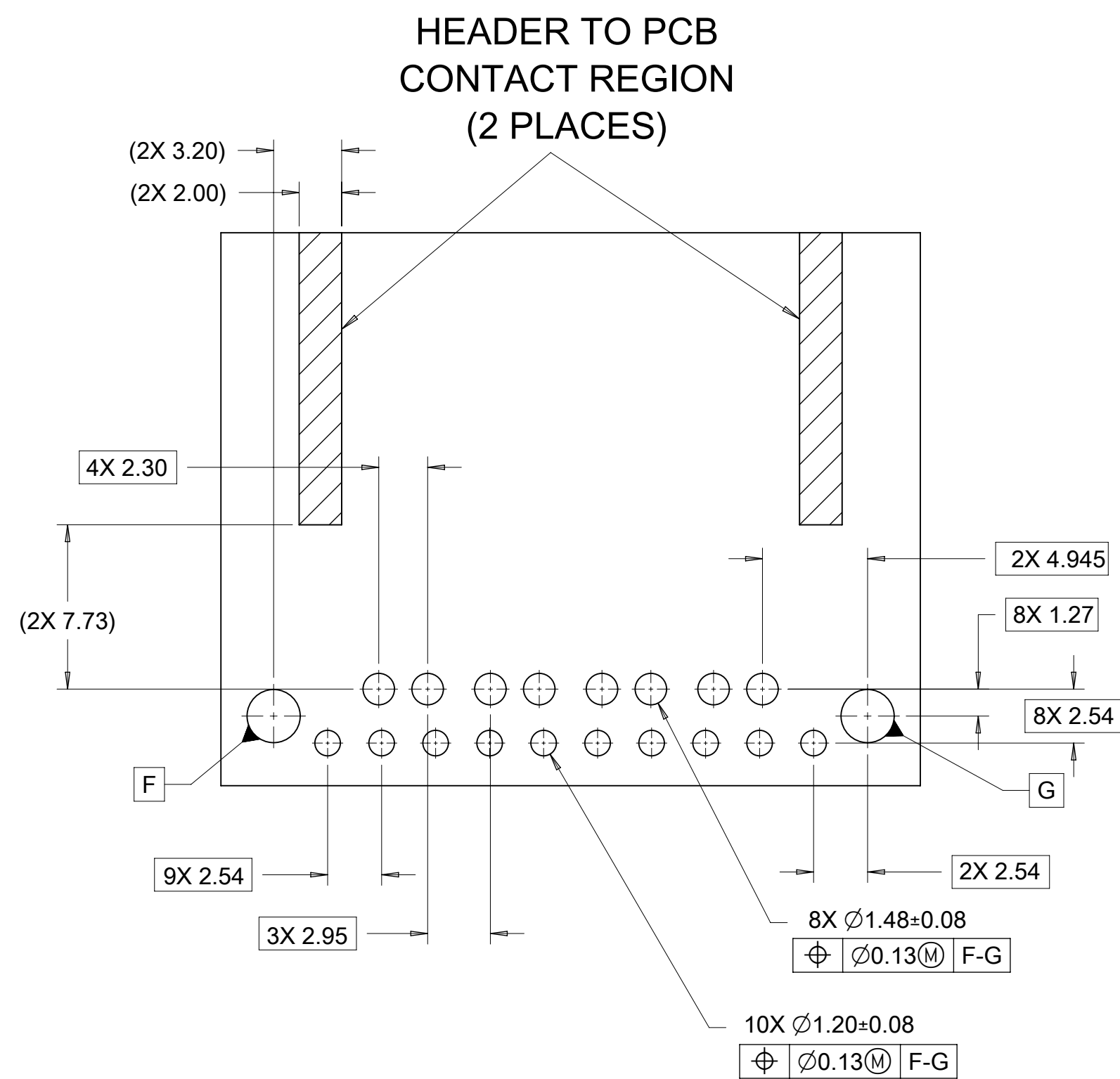
### 10 CKT HYBRID TEMPLATE PCB LAYOUT



### 8-20CKT 0.64mm TEMPLATE PCB LAYOUT



### 14 CKT HYBRID TEMPLATE PCB LAYOUT



FUNCTIONAL SYMBOLS	THIS DRAWING CONTAINS INFORMATION THAT IS PROPRIETARY TO MOLEX ELECTRONIC TECHNOLOGIES, LLC AND SHOULD NOT BE USED WITHOUT WRITTEN PERMISSION		
	DIMENSION UNITS	SCALE	CURRENT REV DESC:
$\nabla_A = 0$	mm	4:1	
$\nabla_C = 0$	GENERAL TOLERANCES (UNLESS SPECIFIED)		
$\nabla_P = 0$	ANGULAR TOL ± 3.0°		
DIVISIONAL SYMBOLS	4 PLACES	±	EC NO: 679095
	3 PLACES	±	DRWN: CZHANG118 2021/09/27
	2 PLACES	± 0.13	CHK'D: CDZHANG 2021/10/08
	1 PLACE	± 0.25	APPR: CDZHANG 2021/10/08
	0 PLACES	±	INITIAL REVISION:
DRAFT WHERE APPLICABLE MUST REMAIN WITHIN DIMENSIONS		THIRD ANGLE PROJECTION	DRWING
			SERIES
		D-SIZE	34708
		MATERIAL NUMBER	CUSTOMER
		SEE CHART	GENERAL MARKET
		DOCUMENT NUMBER	DOC TYPE   DOC PART   REVISION
		SD-34708-200	PSD   001   Y5
		SHEET NUMBER	6 OF 6