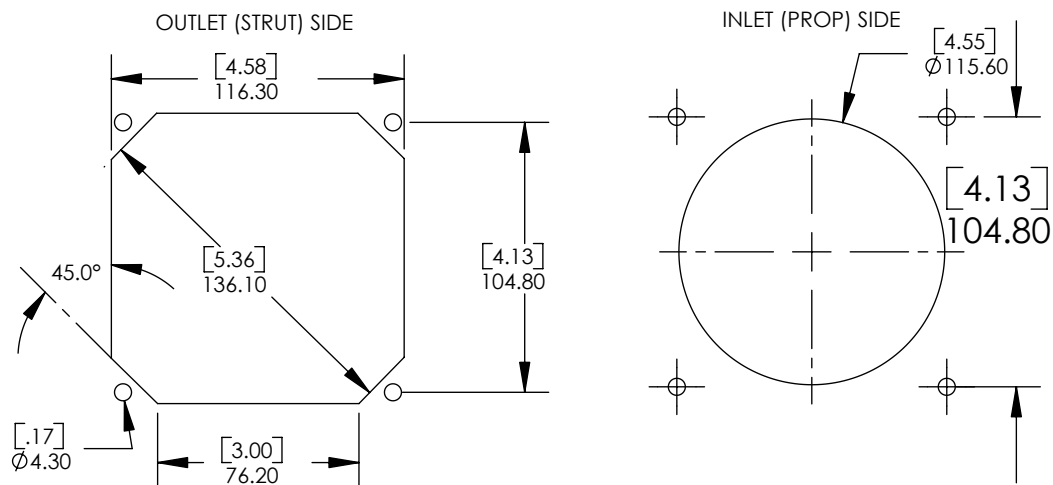


### RECOMMENDED CUTOUT



CONTACT INFO:		WWW.COMAIRROTRON.COM SALES@COMAIRROTRON.COM	
TOLERANCE UNLESS OTHERWISE SPECIFIED	AMERICAN PROJECTION	(619) 661 - 6688	
2 PL. DEC. ± .03 [.8]		3D MODEL FOUND AT..	
3 PL. DEC. ± .010 [.25]			
ANGULAR ± 30'			

**MUFFIN AC**