



2 Way 1.85mm Power Divider from 10 GHz to 65 GHz Rated at 10 Watts

Power Dividers Technical Data Sheet

PE20DV1073

Features

- 2-Way Power Divider
- Wilkinson Design
- 10 to 65 GHz Frequency Range
- Max Power 10 Watts (CW)
- Insertion Loss < 4.5 dB
- Isolation > 15 dB

Applications

- Test and Measurement
- Military Communications
- Commercial Communications
- Wireless Communications
- SATCOM

Description

Pasternack carries a wide selection of power dividers to fit your needs. These components are essential in many systems, allowing the combination of multiple signals or splitting of a single signal into multiple signals with equal magnitude and phase. Pasternack's Wilkinson power dividers come with excellent performance featuring minimal loss, high isolation and low VSWR. They are available in both narrow and broad bandwidths with a variety of connector types such as 2.92mm, BNC, N and SMA.

The PE20DV1073 is a 2-way Wilkinson power divider that operates from 10 to 65 GHz and can handle up to 10 Watts (CW) with 4.5 dB max insertion loss and 15 dB min isolation. The package interface uses 1.85mm female connectors and is REACH and RoHS compliant.

Electrical Specifications

Number of Output Ports 2

Description	Minimum	Typical	Maximum	Units
Frequency Range	10		65	GHz
Impedance		50		Ohms
Input VSWR		2.2:1	2.5:1	
Output VSWR		2.2:1	2.5:1	
Insertion Loss		2.5	4.5	dB
Isolation	15			dB
Amplitude Balance			±1.5	dB
Phase Balance			±15	Degrees
Input Power (CW)			10	Watts

Click the following link (or enter part number in "SEARCH" on website) to obtain additional part information including price, inventory and certifications: [2 Way 1.85mm Power Divider from 10 GHz to 65 GHz Rated at 10 Watts PE20DV1073](#)



2 Way 1.85mm Power Divider from 10 GHz
to 65 GHz Rated at 10 Watts

Power Dividers Technical Data Sheet

PE20DV1073

Mechanical Specifications

Size

Length	1.84 in [46.74 mm]
Width	1 in [25.4 mm]
Height	0.37 in [9.4 mm]

Housing Material and Plating	Aluminum
------------------------------	----------

Configuration

Package Type	Connectorized
Input Connector	1.85mm Female
Output Connectors	1.85mm Female

Environmental Specifications

Storage Range	-54 to +125 deg C
---------------	-------------------

Compliance Certifications (see [product page](#) for current document)

Plotted and Other Data

Notes:

Click the following link (or enter part number in "SEARCH" on website) to obtain additional part information including price, inventory and certifications: [2 Way 1.85mm Power Divider from 10 GHz to 65 GHz Rated at 10 Watts PE20DV1073](#)

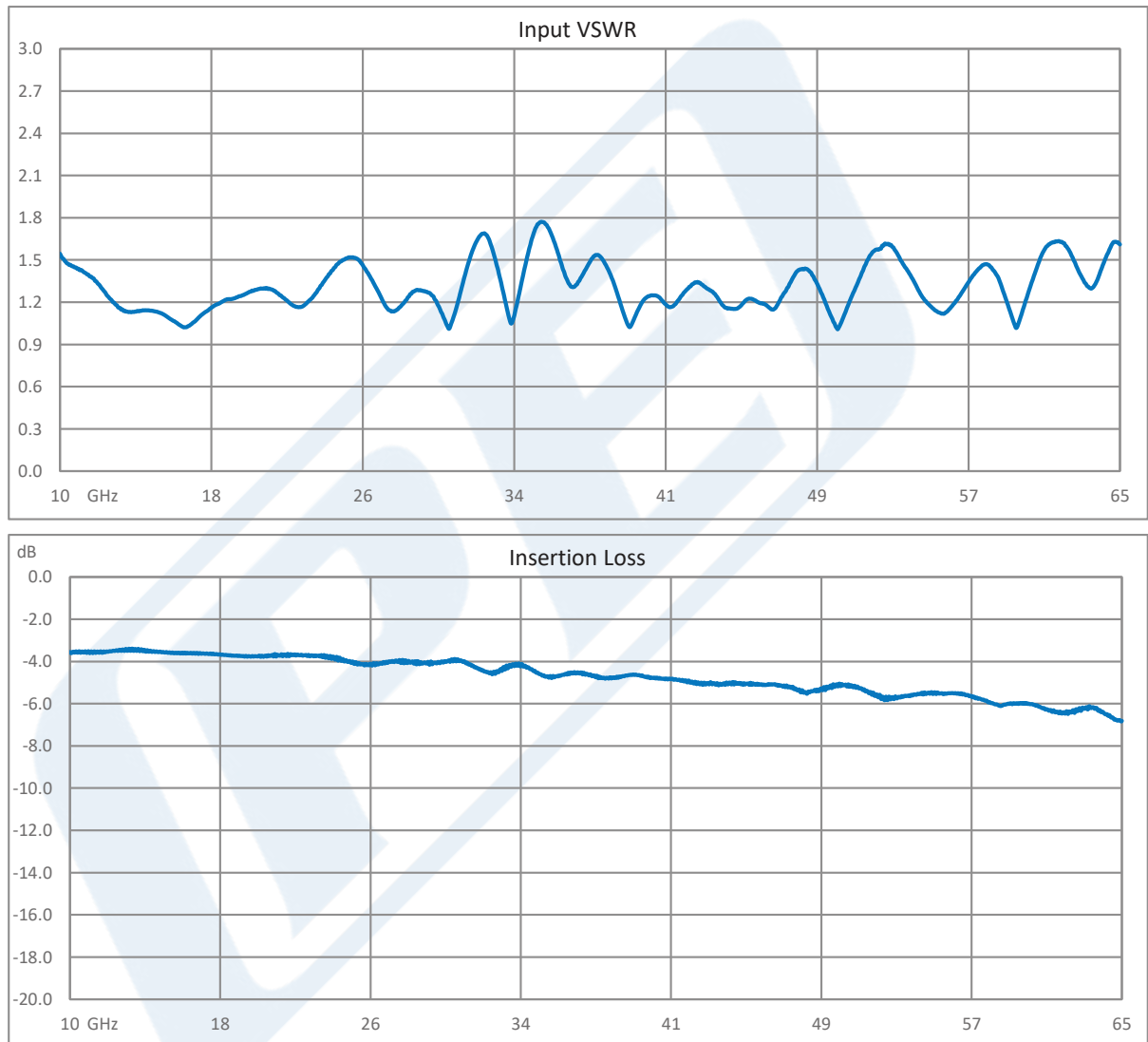


2 Way 1.85mm Power Divider from 10 GHz
to 65 GHz Rated at 10 Watts

Power Dividers Technical Data Sheet

PE20DV1073

Typical Performance Data



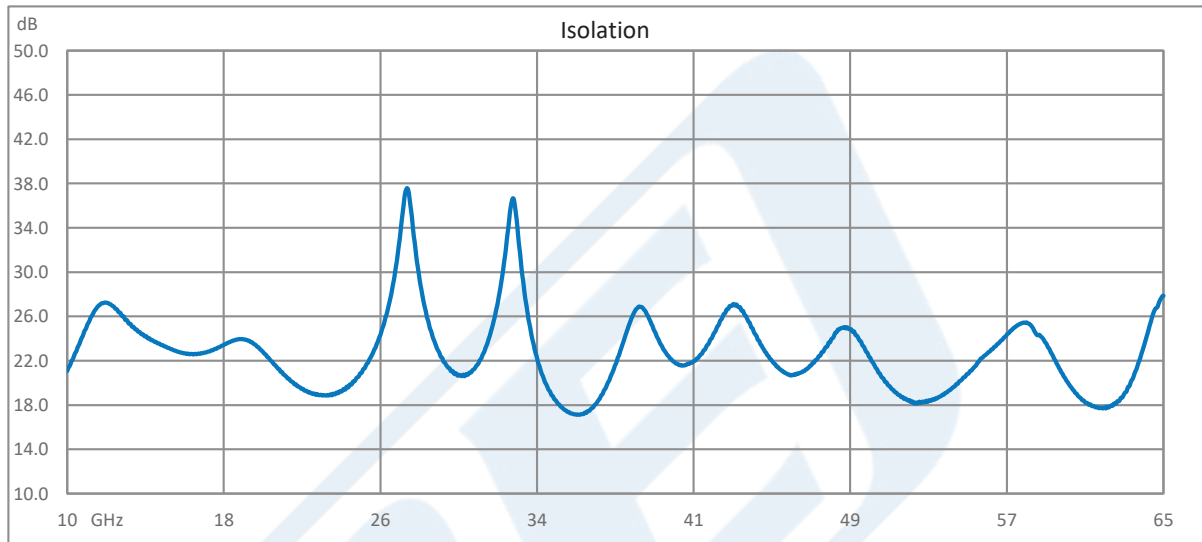
Click the following link (or enter part number in "SEARCH" on website) to obtain additional part information including price, inventory and certifications: [2 Way 1.85mm Power Divider from 10 GHz to 65 GHz Rated at 10 Watts PE20DV1073](#)



2 Way 1.85mm Power Divider from 10 GHz to 65 GHz Rated at 10 Watts

Power Dividers Technical Data Sheet

PE20DV1073



2 Way 1.85mm Power Divider from 10 GHz to 65 GHz Rated at 10 Watts from Pasternack Enterprises has same day shipment for domestic and International orders. Our RF, microwave and millimeter wave products maintain a 99.4% availability and are part of the broadest selection in the industry.

Click the following link (or enter part number in "SEARCH" on website) to obtain additional part information including price, inventory and certifications: [2 Way 1.85mm Power Divider from 10 GHz to 65 GHz Rated at 10 Watts PE20DV1073](https://www.pasternack.com/2-way-1.85mm-power-divider-65-ghz-pe20dv1073-p.aspx)

URL: <https://www.pasternack.com/2-way-1.85mm-power-divider-65-ghz-pe20dv1073-p.aspx>

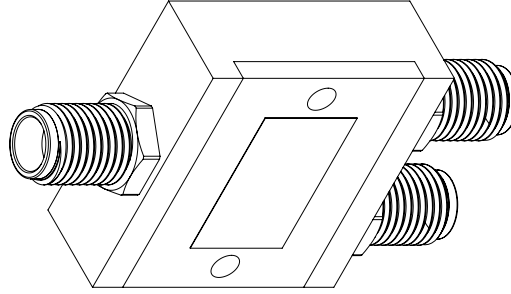
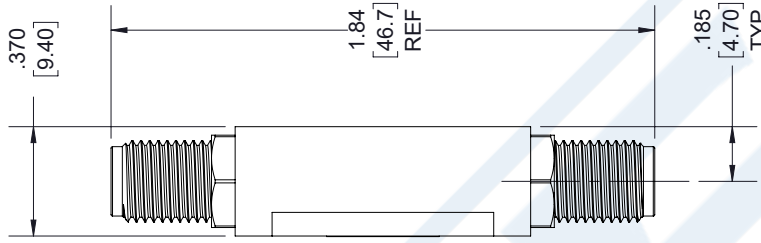
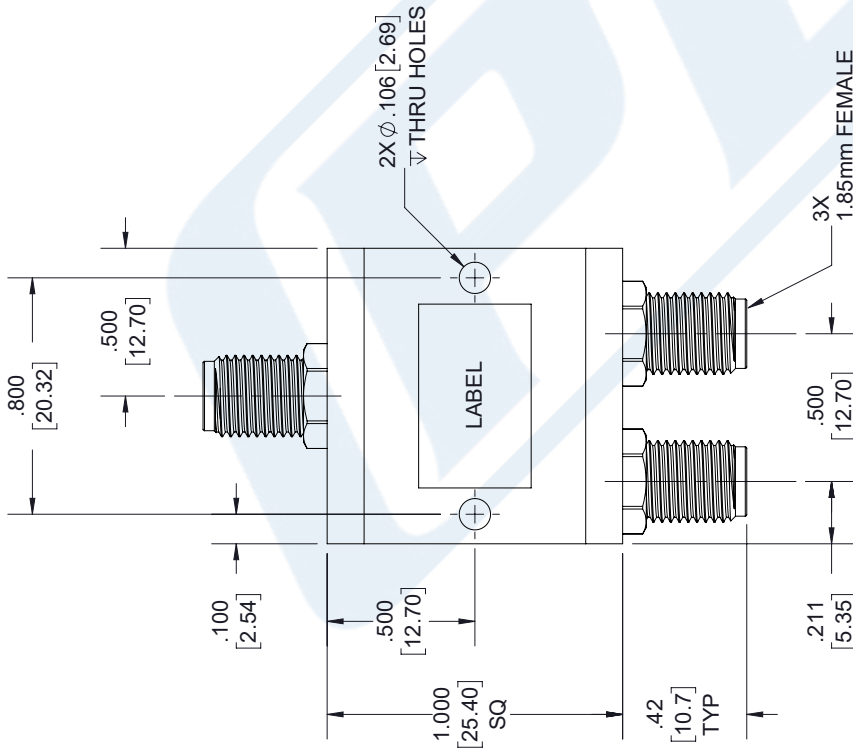
The information contained in this document is accurate to the best of our knowledge and representative of the part described herein. It may be necessary to make modifications to the part and/or the documentation of the part, in order to implement improvements. Pasternack reserves the right to make such changes as required. Unless otherwise stated, all specifications are nominal. Pasternack does not make any representation or warranty regarding the suitability of the part described herein for any particular purpose, and Pasternack does not assume any liability arising out of the use of any part or documentation.

PE20DV1073 CAD Drawing

2 Way 1.85mm Power Divider from 10 GHz to 65 GHz Rated at 10 Watts

REVISIONS

REV.	DESCRIPTION	DATE	APPROVED
A	INITIAL RELEASE	4/2/2020	S.PONG



UNLESS OTHERWISE SPECIFIED
LEADING DIMENSIONS ARE INCHES
DIMENSIONS IN [] ARE MILLIMETERS

TOLERANCES:

.X = ±.2 [5.08] FRACTIONS
 .XX = ±.02 [.51] ± 1/32
 .XXX = ±.005 [.13] ANGLES ± 1°
 CABLE LENGTH (L) TOLERANCES:
 L ≤ 12 [305] = +1 [25] / -0
 12 [305] < L ≤ 60 [1524] = +2 [51] / -0
 60 [1524] < L ≤ 120 [3048] = +4 [102] / -0
 120 [3048] < L ≤ 300 [7620] = +6 [152] / -0
 300 [7620] < L = +5% / L / -0

ALL DIMENSIONS SHOWN
ARE FOR REFERENCE ONLY.

THIRD-ANGLE PROJECTION



THE INFORMATION AND
DESIGN IN THIS DOCUMENT
IS THE PROPERTY OF
PASTERNAK CORPORATION
ALL RIGHTS RESERVED.

SHEET 1 OF 1

SCALE N/A

REV A



Pasternack Enterprises, Inc.
 P. O. Box 16759, Irvine, CA 92623.
 Phone: 1.949.261.1920 | 1.866.727.8376
 Fax: 1.949.261.7451
 Website: www.pasternack.com
 E-mail: sales@pasternack.com

ITEM NO PE20DV1073

CAGE CODE DRAWN BY A 53919 K.DANG

LABEL:

PASTERNAK
 PE20DV1073
 D/C: YYWW

THESE COMMODITIES, TECHNOLOGY OR SOFTWARE WERE EXPORTED FROM THE UNITED STATES IN ACCORDANCE WITH THE EXPORT ADMINISTRATION REGULATIONS. DIVERSION CONTRARY TO U.S. LAW PROHIBITED.