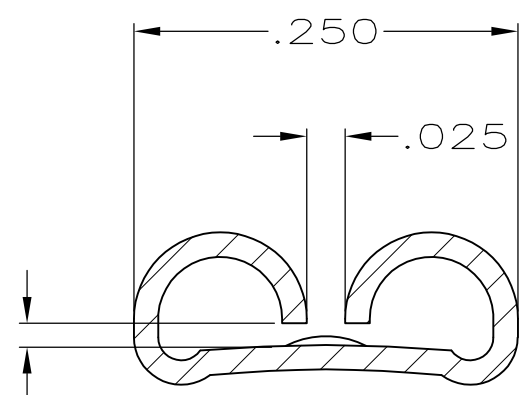
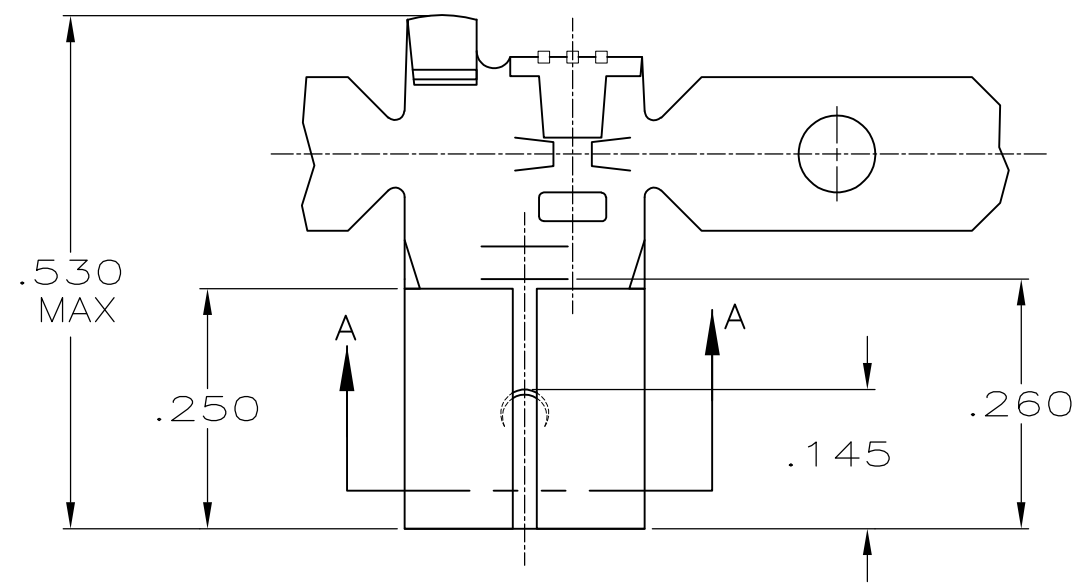


THIS DRAWING IS UNPUBLISHED. RELEASED FOR PUBLICATION
 © COPYRIGHT 1963 By - ALL RIGHTS RESERVED.

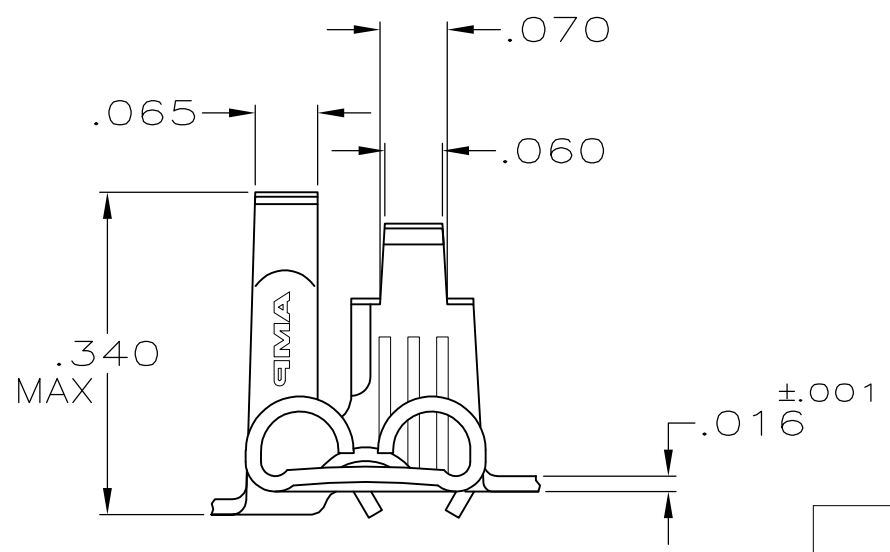
LOC	DIST	REVISIONS					
AF	50	P	LTR	DESCRIPTION	DATE	DWN	APVD
		D		REVISED PER ECR-12-013445	18OCT12	KH	PD

- 1 CONTINUOUS STRIP ON REELS.
- 2 FEED IS $.650 \pm .005$.
- 3 NON-STANDARD DESIGNS. NEW APPLICATIONS MUST BE SUBMITTED TO GATD PRODUCT ENGINEERING FOR APPROVAL. FOR PREFERRED DESIGNS REFER TO C-42711.



FITS .205 SERIES FASTON TAB

SECTION A-A
SCALE 8:1



TIN PLATE	.110-.170	20-14	.032	60195-2
-	.110-.170	20-14	.032	60195-1
FINISH	INSULATION RANGE	WIRE RANGE	MATING TAB THICKNESS $\pm .001$	PART NUMBER
THIS DRAWING IS A CONTROLLED DOCUMENT.		DWN M.S. FEHER 27SEP2004	TE Connectivity	
DIMENSIONS: INCHES		CHK P. DESANTIS 27SEP2004		
TOLERANCES UNLESS OTHERWISE SPECIFIED:		APVD P. DESANTIS 27SEP2004	NAME RECEPTACLE, FASTON, FLAG, .205 SERIES	
0 PLC $\pm -$ 1 PLC $\pm -$ 2 PLC $\pm -$ 3 PLC $\pm .015$ 4 PLC $\pm -$ ANGLES $\pm 1^\circ$		PRODUCT SPEC -	-	
MATERIAL BRASS		FINISH SEE TABLE	APPLICATION SPEC -	RESTRICTED TO -
		WEIGHT -	SIZE A3	CAGE CODE 00779
		CUSTOMER DRAWING	DRAWING NO C-60195	SCALE 5:1
			SHEET 1 OF 1	REV D