

LOC
A1

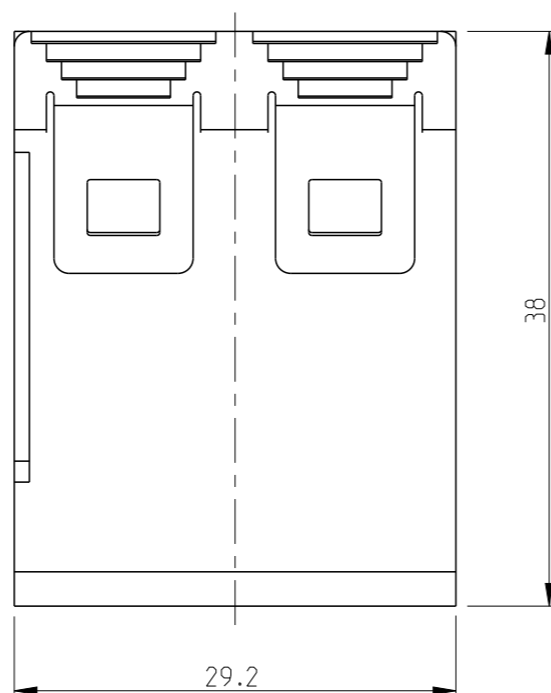
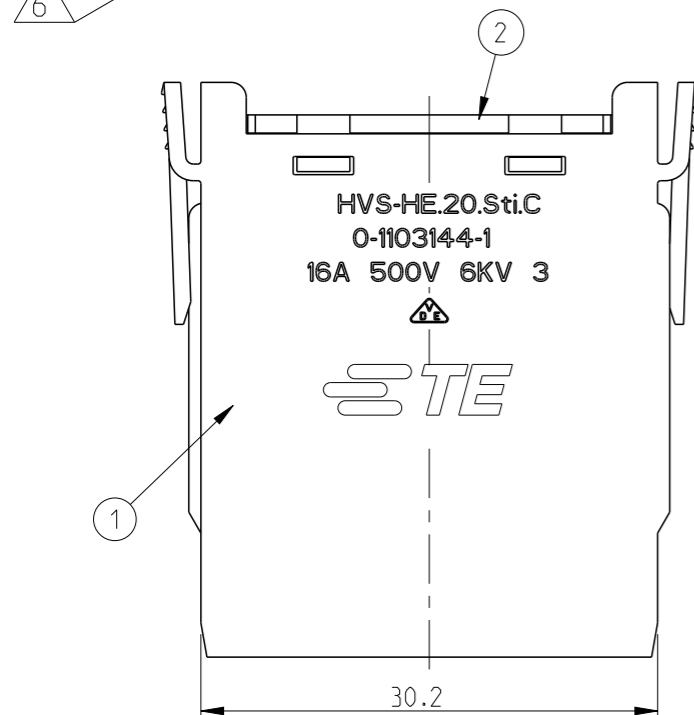
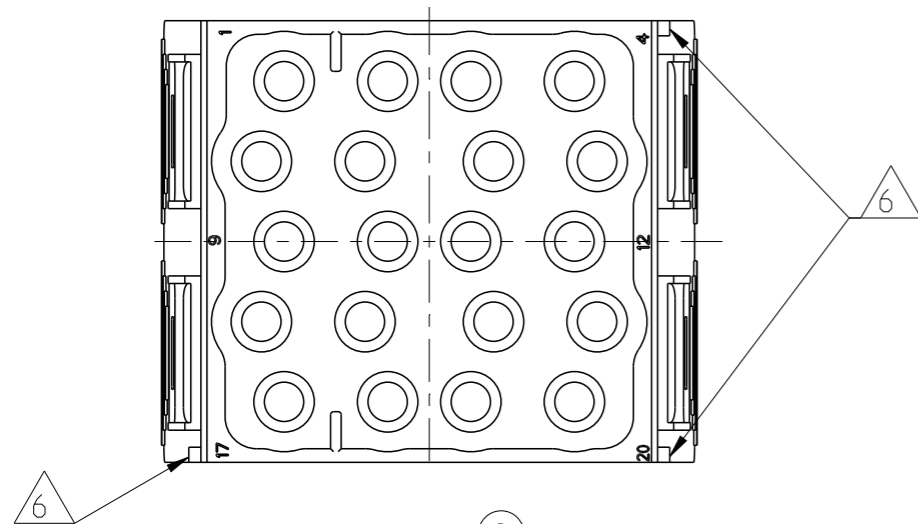
DIST
-

REVISIONS

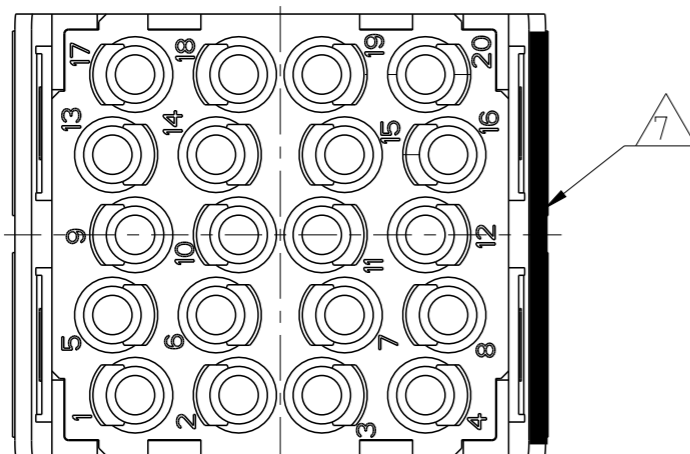
P	LTR	DESCRIPTION	DATE	DWN	APVD
	A5	RELEASED ASPER ECR-09-010234	6-May-09	CJ	TS
	B1	ECR-10-015645	27JUL2010	SR	OH
	C	ECR-15-007597	05JUN2015	GSK	JB

PN 0-1 As Shown

Contact arrangement
view from connecting side



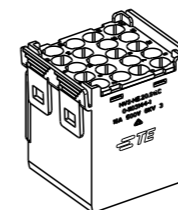
Contact arrangement
view from termination side



NOTES

- SUITABLE CRIMP CONTACTS: SERIES HE/HA
CUSTOMER DRAWING: 1105100
OUTER DIMENSIONS OF INSULATION: MAX. Ø4.9mm
- SUITABLE MODULE FIXING FRAME: SERIES HVS SIZE 3 TO 8
CUSTOMER DRAWING: 1103250
- SUITABLE INSERTION TOOL:
CUSTOMER DRAWING: 0-1102855-6
- SUITABLE EXTRACTION TOOL:
CUSTOMER DRAWING: 0-1102855-7
- STANDARDS:
DIN EN 61984; DIN EN 60664-1
- POLARIZATION RIPS
- MARKING OF POLARIZATION ACCORDING TO MARKING OF
MODULE FRAME
- PACKAGING:
10 SETS IN A CARTON, PRE-MOUNTED

PN 0-1 As Shown



SCALE 1:2

QTY	DESCRIPTION	MATERIAL	COLOR	ITEM
1	MALE INSERT	PBT-GF10	LIGHT GREY	2
1	COVER	PBT-GF15	LIGHT GREY	1
HVS-HE.20.Sti.C				

THIS DRAWING IS A CONTROLLED DOCUMENT.

DIMENSIONS:	TOLERANCES UNLESS OTHERWISE SPECIFIED:
mm	ISO 8075
	DIN ISO 2768 mH-E
	DIN 16901-120
	0 PLC ±
	1 PLC ±
	2 PLC ±
	3 PLC ±
	4 PLC ±
	ANGLES ±1°
MATERIAL	FINISH
9	10

DWN	31.08.2005
M.SCHWEIGER	
CHK	01.09.2005
T.SCHNURPFEL	
APVD	-
PRODUCT SPEC	108-74074
APPLICATION SPEC	114-74073
WEIGHT	-
CUSTOMER DRAWING	

		TE Connectivity		
		MALE INSERT HVS-HE.20.STI.C		
NAME	SIZE	CAGE CODE	DRAWING NO	RESTRICTED TO
	A3	00779	0-1103144	-
SCALE 2:1		SHEET 1 OF 1		REV C