

TE Internal #: 6-2271111-2
 Standard Circular Connectors, Wire-to-Board / Wire-to-Wire, 12
 Position, Sealable, Wire & Cable, Signal, Reverse Gender, Nickel,
 Zinc Alloy

[View on TE.com >](#)



Connectors > Circular Connectors > Standard Circular Connectors



Connector System: **Wire-to-Board, Wire-to-Wire**
 Number of Positions: **12**
 Sealable: **Yes**
 Connector & Contact Terminates To: **Wire & Cable**
 Contact Current Rating (Max): **1.5 A**

Features

Product Type Features

Product Type	Connector Assembly
Connector System	Wire-to-Board, Wire-to-Wire
Sealable	Yes
Connector & Contact Terminates To	Wire & Cable
Circular Connector Type	Plug
Shell Type	Metal

Configuration Features

Number of Positions	12
Number of Power Positions	0
Number of Signal Positions	12
Contacts Preloaded	Yes

Electrical Characteristics

EMI & RFI Protection & Suppression Type	Shielding
---	-----------

Body Features

--	--



Shell Plating Material	Nickel
Shell Base Material	Zinc Alloy
Circular Connector Insulation Material Type	Polyamide 66 GF25

Contact Features

Contact Current Rating (Max)	1.5 A
Reverse Gender	Yes
Contact Layout Arrangement	Circular
Circular Connector Contact Type	Pin

Mechanical Attachment

Polarization Code	A
Mating Alignment Type	Keyed
Mating Retention	With

Housing Features

Circular Connector Shell Size	12
-------------------------------	----

Dimensions

Wire Size	.25 mm ²
-----------	---------------------

Usage Conditions

IP Water Sealing Level	7
IP Dust Sealing Level	6
Operating Temperature Range	-40 – 80 °C[-40 – 176 °F]

Operation/Application

Circuit Application	Signal
Shielded	Yes

Other

Field Serviceable	Yes
-------------------	-----

Product Compliance

[For compliance documentation, visit the product page on TE.com>](#)

EU RoHS Directive 2011/65/EU	Compliant with Exemptions
EU ELV Directive 2000/53/EC	Compliant with Exemptions
China RoHS 2 Directive MIIT Order No 32, 2016	Restricted Materials Above Threshold
EU REACH Regulation (EC) No. 1907/2006	



Current ECHA Candidate List: JUNE 2023 (235)

Candidate List Declared Against: JUNE 2023 (235)

SVHC > Threshold:

Pb (3% in Component Part)

Article Safe Usage Statements:

Do not eat, drink or smoke when using this product. Wash thoroughly after handling. Recycle if possible and dispose of the article by following all applicable governmental regulations relevant to your geographic location.

Halogen Content

Low Halogen - Br, Cl, F, I < 900 ppm per homogenous material. Also BFR/CFR/PVC Free

Solder Process Capability

Not reviewed for solder process capability

Product Compliance Disclaimer

This information is provided based on reasonable inquiry of our suppliers and represents our current actual knowledge based on the information they provided. This information is subject to change. The part numbers that TE has identified as EU RoHS compliant have a maximum concentration of 0.1% by weight in homogenous materials for lead, hexavalent chromium, mercury, PBB, PBDE, DBP, BBP, DEHP, DIBP, and 0.01% for cadmium, or qualify for an exemption to these limits as defined in the Annexes of Directive 2011/65/EU (RoHS2). Finished electrical and electronic equipment products will be CE marked as required by Directive 2011/65/EU. Components may not be CE marked. Additionally, the part numbers that TE has identified as EU ELV compliant have a maximum concentration of 0.1% by weight in homogenous materials for lead, hexavalent chromium, and mercury, and 0.01% for cadmium, or qualify for an exemption to these limits as defined in the Annexes of Directive 2000/53/EC (ELV). Regarding the REACH Regulation, the information TE provides on SVHC in articles for this part number is based on the latest European Chemicals Agency (ECHA) 'Guidance on requirements for substances in articles' posted at this URL: <https://echa.europa.eu/guidance-documents/guidance-on-reach>

Compatible Parts



TE Part # 484074-E
M12 F 12 A H S * 301 17,0 094 * * * V 99



TE Part # 6-2271129-2
M12,FEMALE,A CODE,R/A,12P,PG9,SHIELD(AU)

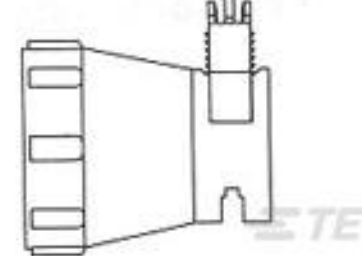
Customers Also Bought




TE Part #1445816-1
RECPT,11-9,FLNG MT,STD KEY



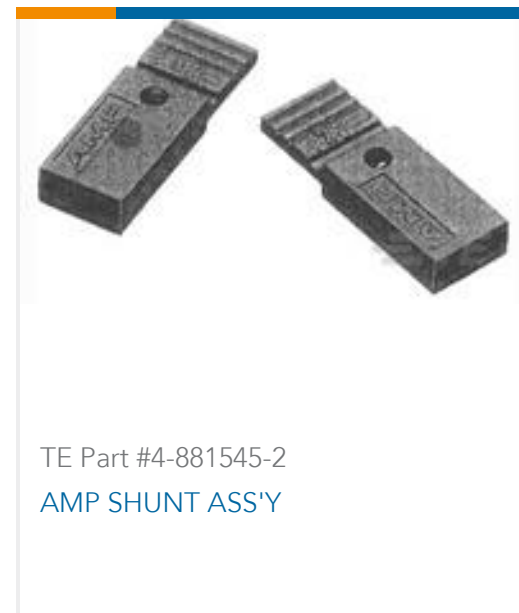
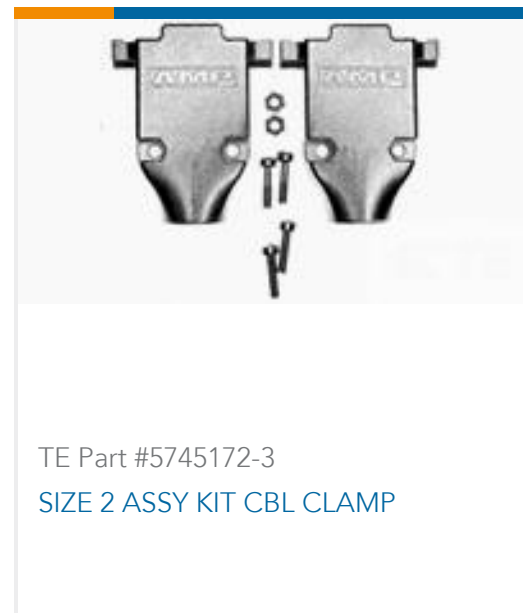
TE Part #2-292173-2
CT BOX HDR H SMT 2P O/TAPE BLA



TE Part #1445856-1
STR RELIEF ASY,STRAIGHT SZ 11



TE Part #5745171-2
SIZE 1 ASSY KIT .200



Documents

Product Drawings

M12, MALE, A CODE, 12P, PG9,SHIELDED(AU)

English

CAD Files

3D PDF

3D

Customer View Model

[ENG_CVM_CVM_6-2271111-2_A.2d_dxf.zip](#)

English

Customer View Model

[ENG_CVM_CVM_6-2271111-2_A.3d_igs.zip](#)

English

Customer View Model

[ENG_CVM_CVM_6-2271111-2_A.3d_stp.zip](#)

English

By downloading the CAD file I accept and agree to the [Terms and Conditions](#) of use.

Datasheets & Catalog Pages

[M8 / M12 Connector System Catalog](#)

English

[M8 / M12 Connector System Catalog](#)

Japanese

Product Specifications

[Product Specification](#)

English