

CUSTOMER PRINT

PART NUMBER: 6280-XSG-3XXW

NOTES:
1. ALL PARTS TO BE BULK PACKED

ASSY P/N	GROMMET SIZE
6280-XSG-3DCW	DAISY CHAIN
6280-XSG-311W	CABLE O.D. .09-.14
6280-XSG-315W	CABLE O.D. .15-.17
6280-XSG-318W	CABLE O.D. .18-.20
6280-XSG-321W	CABLE O.D. .21-.23

ASSY P/N	NO. OF CONTACTS
6280-2SG-3XXW	2 #20
6280-3SG-3XXW	3 #20
6280-4SG-3XXW	4 #20
6280-5SG-3XXW	5 #20
6280-6SG-3XXW	6 #20
6280-7SG-3XXW	7 #20
6280-8SG-3XXW	8 #20
6280-XSG-3XXW	

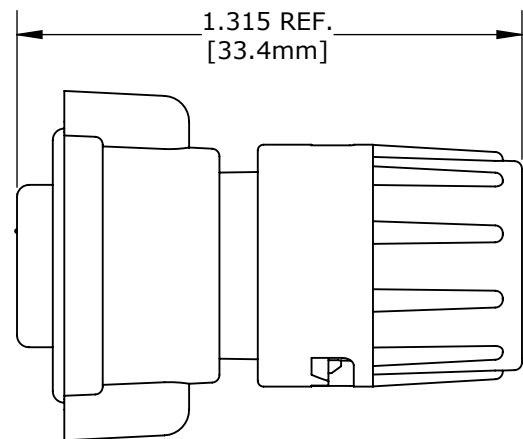
GROMMET SIZE FOR SINGLE GROMMET, OR "DC" FOR DAISY CHAIN

NUMBER OF CONTACTS

CUSTOMER APPROVAL

THIS DOCUMENT CONTAINS CONFIDENTIAL INFORMATION PROPRIETARY TO CONXALL CORPORATION. ANY REPRODUCTION, DISCLOSURE, OR USE OF THIS DOCUMENT /INFORMATION IS EXPRESSLY PROHIBITED UNLESS AUTHORIZED IN WRITING BY CONXALL CORPORATION.

APPROVED BY: _____
DATE: _____

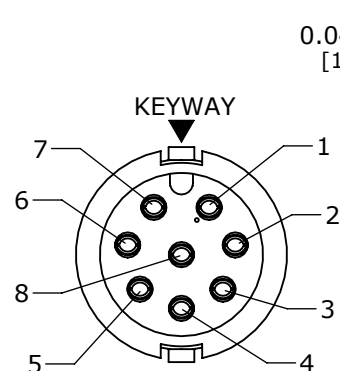


SHOWN ASSEMBLED KIT FOR CUSTOMER REFERENCE ONLY

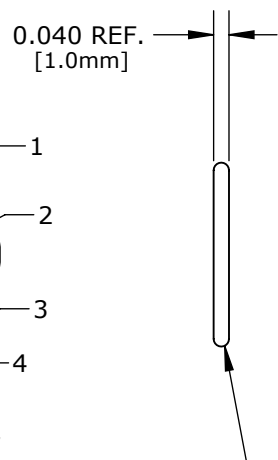
GROMMET, DAISY CHAIN FOR 6280-XSG-3DCW MAT'L: RUBBER, BLACK

#20 SOCKET CONTACTS MAT'L: COLD PLATED COPPER ALLOY

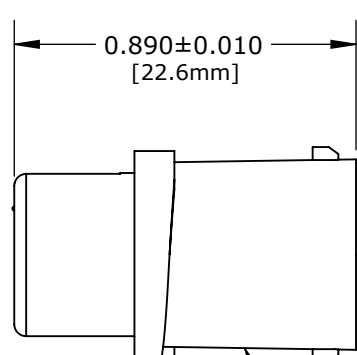
0.434±0.010 [11.0mm]



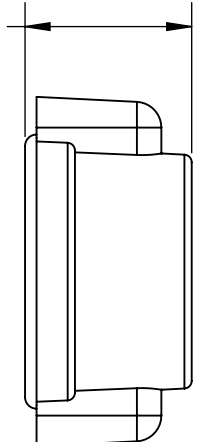
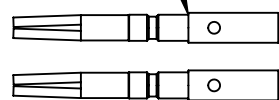
FACE VIEW 6280-8SG-3XXW



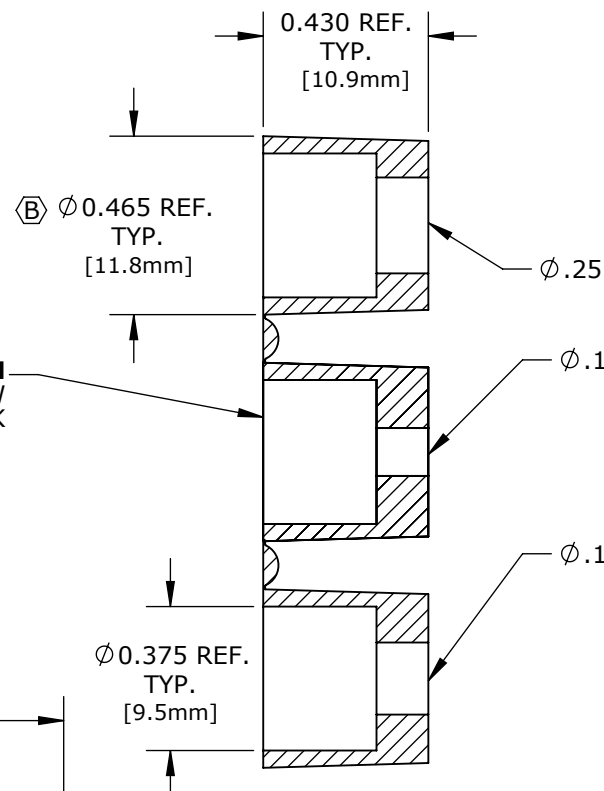
O-RING MAT'L: RUBBER, BLACK



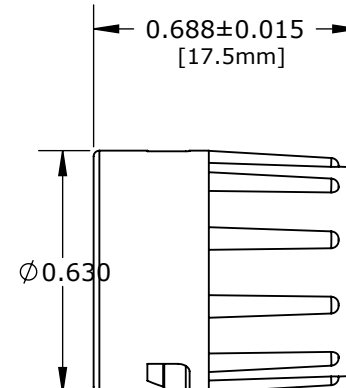
CABLE CONNECTOR, FEMALE MAT'L: THERMOPLASTIC, BLACK



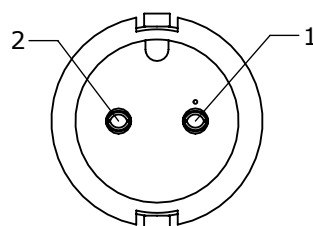
WINGED COUPLING RING MAT'L: THERMOPLASTIC, BLACK



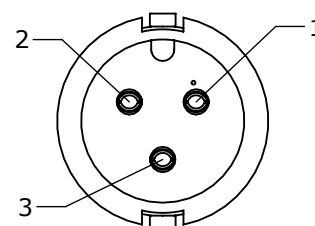
SINGLE GROMMET MAT'L: SANTOPRENE, BLACK
6280-XS311W (.125 I.D. FOR CABLES .09-.14 O.D.)
6280-XS315W (.188 I.D. FOR CABLES .15-.17 O.D.)
6280-XS318W (.156 I.D. FOR CABLES .18-.20 O.D.)
6280-XS321W (.225 I.D. FOR CABLES .21-.23 O.D.)



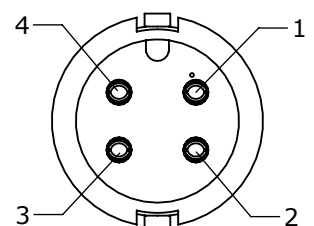
BACKSHELL MAT'L: THERMOPLASTIC, BLACK



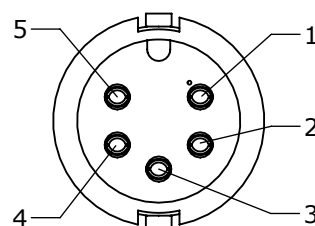
FACE VIEW 6280-2SG-3XXW



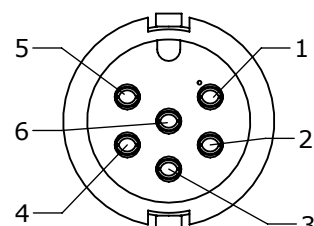
FACE VIEW 6280-3SG-3XXW



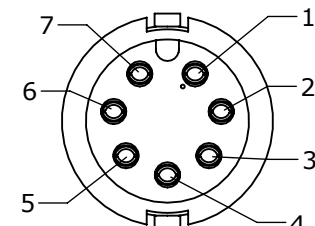
FACE VIEW 6280-4SG-3XXW



FACE VIEW 6280-5SG-3XXW



FACE VIEW 6280-6SG-3XXW



FACE VIEW 6280-7SG-3XXW

DIMENSIONS IN BRACKET [] ARE METRIC.

RoHS COMPLIANT

B	AN	11-04-13	GROMMET O.D. 0.465 WAS 0.475, COUPLING RING DIM. 0.434 WAS 0.442, ADDED TOLERANCES, MATERIALS AND ASSEMBLED VIEW. PER ECR 8561
A	AN	02-11-10	DRAWING CREATED PER DOR 10-E149SL
REV.	INIT.	DATE	DESCRIPTION
	AN	02-11-10	
<small>ALL INFORMATION ILLUSTRATED IS THE PROPERTY OF CONXALL CORPORATION. UNAUTHORIZED DUPLICATION OR DISTRIBUTION OF THIS DOCUMENT IS PROHIBITED.</small>			<p>601 E. WILDWOOD VILLA PARK, IL 60181</p>
<small>ALL UNITS ARE IN FEET, INCHES, FRACTION OF INCHES AND DECIMALS.</small>			
APPROVED BY:		TITLE: CABLE CONNECTOR ASSEMBLY (2-8) #20 SOCKET CONTACTS MINI-CON-X	
SCALE	SIZE	SHEET	CUSTOMER: STANDARD PRODUCT
NTS	B	1 OF 1	
FILE:	DIRECTORY:	PART NUMBER:	REV
6280-XSG-3XXW	SLW	6280-XSG-3XXW	B