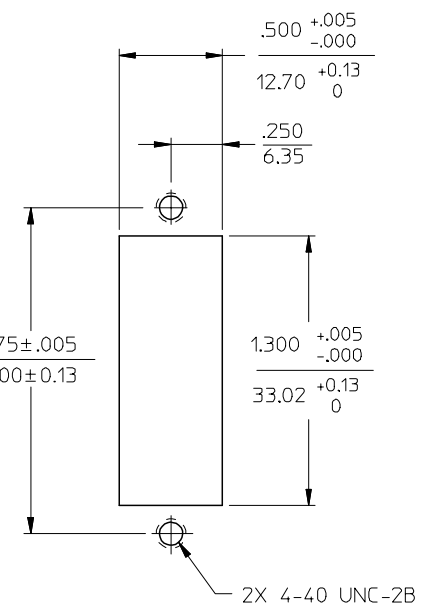
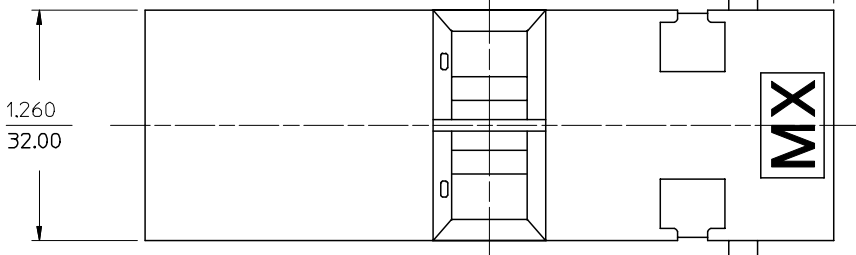
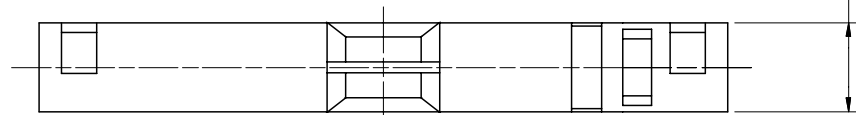
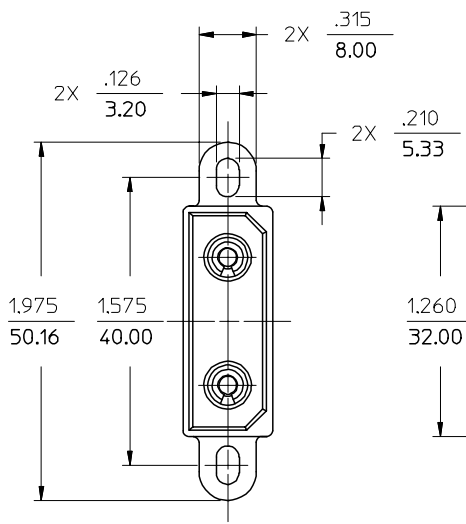
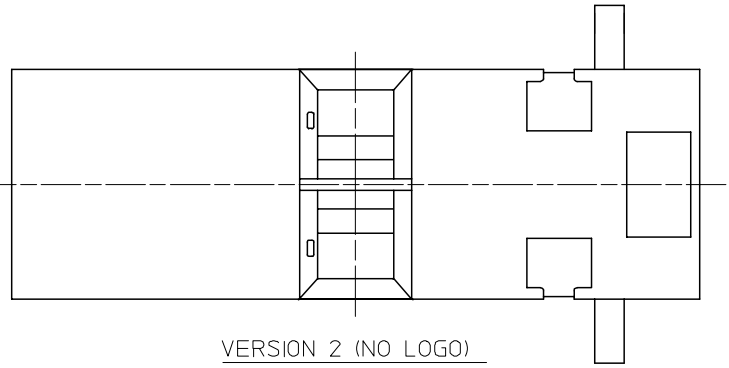


P/N OF ADAPTER	MATERIAL OF SLEEVE	VERSION
106140-2300	CERAMIC	1
106142-2300	PHOS. BRONZE	
106197-0700	CERAMIC	2



VERSION 1 (LOGO)

RECOMMENDED MOUNTING PATTERN



VERSION 2 (NO LOGO)

NOTES :  
1. ALL DIMENSIONS ARE FOR REFERENCE ONLY.

<b>ENTER DESCRIPTION</b> EC NO: MF2006-0767 DRW: DBAL TRUKONI S2006/05/22 CHKD: 2006/05/22 APPR: IGUMIN 2006/05/24	<b>QUALITY SYMBOLS</b> = 0 = 0	<b>GENERAL TOLERANCES (UNLESS SPECIFIED)</b>		<b>DIMENSION STYLE</b> IN/MM	<b>SCALE</b> 1.5:1	<b>DESIGN UNITS</b> INCH	<b>THIRD ANGLE PROJECTION</b>
		4 PLACES ± --- ± ---	DRAWN BY PGIBL IN	DATE 2005/10/26	<b>TITLE</b> ESCON-ESCON ADAPTER		
		3 PLACES ± --- ± ---	CHECKED BY	DATE	<b>MATERIAL NO.</b> SEE TABLE		
		2 PLACES ± --- ± ---	APPROVED BY		DATE	<b>DOCUMENT NO.</b> SD-1061YY-YY00	
1 PLACE ± --- ± ---	ANGULAR ±1/2°		<b>DRAFT WHERE APPLICABLE MUST REMAIN WITHIN DIMENSIONS</b>		<b>SHEET NO.</b> 1 OF 01		<b>THIS DRAWING CONTAINS INFORMATION THAT IS PROPRIETARY TO MOLEX INCORPORATED AND SHOULD NOT BE USED WITHOUT WRITTEN PERMISSION</b>