

PROPRIETARY INFORMATION: PROPRIETARY OF GLOBTEK, INC. ANY REPRODUCTION, DISCLOSURE OR USE OF THIS DRAWING, IN WHOLE OR IN PART, IS HEREBY PROHIBITED EXCEPT AS SPECIFIED IN WRITING BY GLOBTEK, INC.	REVISION			
	REV	DESCRIPTION	DATE	APPROVED
	A	INITIAL RELEASE, RFS. 20840, SO	05/03/11	HM



**1. NOTES:**

DIMENSIONS ARE IN MM UNLESS SPECIFIED OTHERWISE.

**2. ELECTRICAL SPECIFICATIONS:**

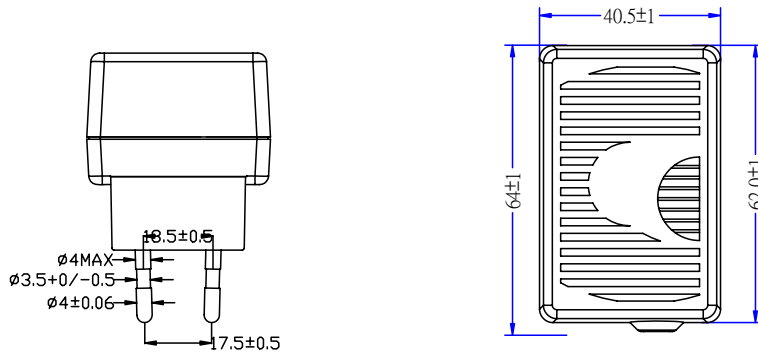
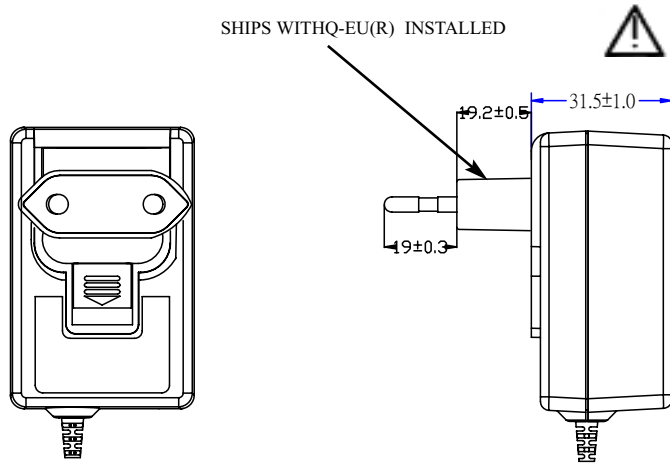
INPUT VOLTAGE: 100-240 VAC  
INPUT CURRENT: 0.3 A RMS MAX  
INPUT FREQUENCY: 47 - 63 Hz  
OUTPUT VOLTAGE : 9 VDC  
OUTPUT CURRENT : 0.666 A, NO MINIMUM LOAD REQUIRED TO MAINTAIN OUTPUT VOLTAGE REGULATION  
OUTPUT POWER (RATED): 6W WATTS MAX  
OUTPUT RIPPLE (PEAK TO PEAK): 1% OR 50 mV WHICHEVER IS GREATER. MEASURED AT 20 MHz BANDWIDTH WITH 0.1 µf CERAMIC CAPACITOR IN PARALLEL WITH 10 µf ELECTROLYTIC CAPACITOR CONNECTED AT THE END OF OUTPUT CONNECTOR AT NOMINAL LINE  
OUTPUT LOAD REGULATION: ± 5 % OF NOMINAL OUTPUT VOLTAGE, MEASURED AT O/P CONNECTOR AT NOMINAL LINE  
LINE REGULATION: ± 1 % OF NOMINAL OUTPUT VOLTAGE, MEASURED AT O/P CONNECTOR  
TURN ON/ TURN OFF OVERSHOOT: ± 5% MAX 500µS MAX RECOVERY TIME FOR 25% STEP LOAD  
TURN-ON DELAY: 3000 mSEC MAX  
HOLD-UP TIME: 8 mSEC MIN AT NOMINAL INPUT AND FULL LOAD  
INRUSH CURRENT: 30 A MAX AT COLD START 115 VAC, 60A MAX COLD START 230VAC  
SWITCHING FREQUENCY: 66.5 KHz TYPICAL  
OVER-VOLTAGE PROTECTION: PROTECTED, UNIT WILL AUTORECOVER UPON REMOVAL OF FAULT  
OVER-CURRENT / SHORT CIRCUIT: PROTECTED, UNIT WILL AUTORECOVER UPON REMOVAL OF FAULT  
OTHER PROTECTION: INPUT LINE FUSING  
SAFETY APPROVALS : UL60950-1, CUL TO 22.2# 60950-1, INNOVA GS TO EN60950-1, CCC TO GB4943-2001, GB9254-1998, GB17625.1-2003, CE CLASS II, PSE TO J60950, CB REPORT, C-TICK TO AS/NZ 60950-1  
DIELECTRIC WITHSTAND VOLTAGE: 4242 VDC PRIMARY-SECONDARY  
LEAKAGE CURRENT: ≤ 300 µA AT 240 VAC  
EMI: COMPLIES WITH EN55011 CLASS B AND WHEN TESTED WITH A RESISTIVE LOAD, BOTH CONDUCTED AND RADIATED EMI, VCCI  
CE MARK: TESTED TO COMPLY WITH EN61000-3-2, EN61000-3-3, EN60601-1-2 2001, INCLUDING EN61000-4-2, EN61000-4-3, EN61000-4-4, EN61000-4-5, EN61000-4-6, EN61000-4-8, EN61000-4-11.  
EFFICIENCY: (EISA) COMPLIES TO SECTION 301 OF ENERGY INDEPENDENCE AND SECURITY ACT  
COMPLIES WITH ENERGY STAR TIER 2 (NORTH AMERICA), CECP TIER 2 (CHINA), MEPS TIER 2 (AUSTRALIA), CODE OF CONDUCT (EUROPE) 5.1 ~ 6.9V WITH 1000 mm CABLE ONLY  
MTBF: 200,000 HOURS AT 25°C AMBIENT TEMPERATURE  
OPERATING TEMPERATURE: 0°C TO 40° C  
STORAGE TEMPERATURE: -40°C TO 80° C  
HUMIDITY: 0% TO 90% RELATIVE HUMIDITY  
ROHS: COMPLIES WITH EU 2002/95/EC AND CHINA SJ/T 11363-2006

Foot Note: Globtek Inc. will not be liable for the safety and performance of these power supplies if unauthorized access and repair occurs. End user should consult applicable UL, CSA or EN standards for proper installation instructions	C	PART NO	REV.	DESCRIPTION	NOTES
		TABULATION BLOCK			
Limitation of Use: Globtek product are not authorized for use as mission critical components in life support, hazardous environment, nuclear or aircraft applications without prior written approval from the CEO of Globtek Inc.	INIT.BY: SO		DATE: 05/03/11	<b>TOLERANCES:</b> DECIMALS    ANGULAR .xx +/- 0.1    +/- 1° .xxx +/- .005  MILLIMETERS    ANGULAR .xx +/- 0.3    +/- 1° .xxx +/- .013	<b>GlobTek, Inc.</b> 186 Veterans Dr. Northvale, NJ 07647 www.globtek.com Tel. 201-784-1000 Fax 201.784.0111
	DRAWN: NF	DATE: 05/03/11	FSCN No.: G, N		
Contents of this document are subject to change without prior notice	APRVD: HM	DATE: 05/03/11	CAGE CODE: 0GV V90	PART NO: <b>WR9QD666KRPNREG2486</b>	REV. A
				SCALE: NONE	

**PROPRIETARY INFORMATION:**  
 PROPRIETARY OF GLOBTEK, INC. ANY REPRODUCTION, DISCLOSURE OR USE OF THIS DRAWING, IN WHOLE OR IN PART, IS HEREBY PROHIBITED EXCEPT AS SPECIFIED IN WRITING BY GLOBTEK, INC.

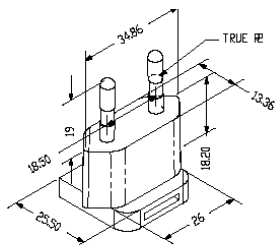
**3. ENCLOSURE**

UPPER HOUSING: HIGH IMPACT PLASTIC, 94V0 POLYCARBONATE, NON-VENTED, COLOR BLACK  
 LOWER HOUSING: HIGH IMPACT PLASTIC 94V0 POLYCARBONATE, NON- VENTED, COLOR BLACK  
 SIZE: 64 x 40.5 x 29 mm



**4. INPUT CONNECTOR**

EUROPEAN CONFIGURATION: EUROPLUG 2 PINS, CLASS II, Q-EU(R)



P/N: Q-EU(R)  
 EUROPE  
 SOUTH AMERICA

<b>GlobTek, Inc.</b> <a href="http://www.globtek.com">www.globtek.com</a>		186 Veterans Dr. Northvale, NJ 07647 Tel. 201-784-1000 Fax 201.784.0111
DWG TITLE: WALL PLUG-IN SWITCHING POWER SUPPLY, 6 WATTS, 9V@0.666A UNIVERSAL INPUT, ITE, CLASS II		
MODEL NO: GT-41076-0609		REV. A
PART NO: <b>WR9QD666KRPNREG2486</b>		SHEET 2 OF 6

**PROPRIETARY INFORMATION:**  
 PROPRIETARY OF GLOBTEK, INC. ANY REPRODUCTION, DISCLOSURE OR  
 USE OF THIS DRAWING, IN WHOLE OR IN PART, IS HEREBY  
 PROHIBITED EXCEPT AS SPECIFIED IN WRITING BY GLOBTEK, INC.

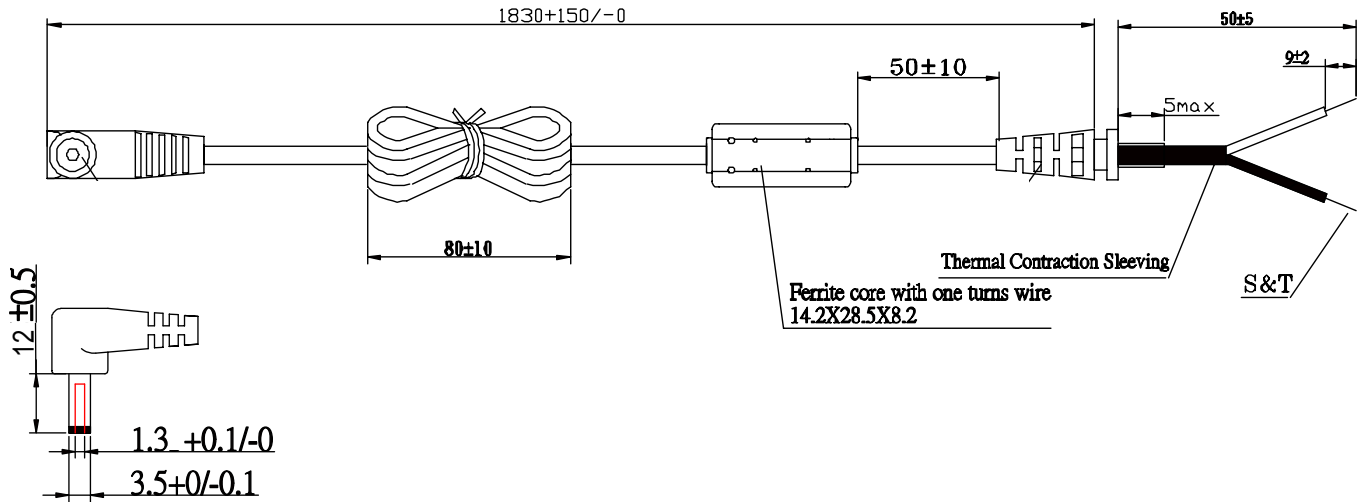
**5. OUTPUT CORD AND CONNECTOR:**


**OUTPUT CORD:**

1 CONDUCTOR + SHIELD, 18 AWG STRANDED WIRE, ROUND # 1185, COLOR BLACK, LENGTH (L) OF CORD: 1830 +150, -0 mm.  
 CORD IS MEASURED FROM THE HOUSING TO THE END OF OVERMOLD OF THE CONNECTOR.  
 CABLE IS TO BE MARKED WITH WIRE GAUGE, AND ALL APPLICABLE RATING AND SAFETY APPROVALS.  
 CABLE HAS MOLDED INLINE FERRITE.

**OUTPUT CONNECTOR:**

STANDARD, RIGHT ANGLE FEMALE BARREL 3.5 x 1.3 x 12 mm WITH CENTER POSITIVE:

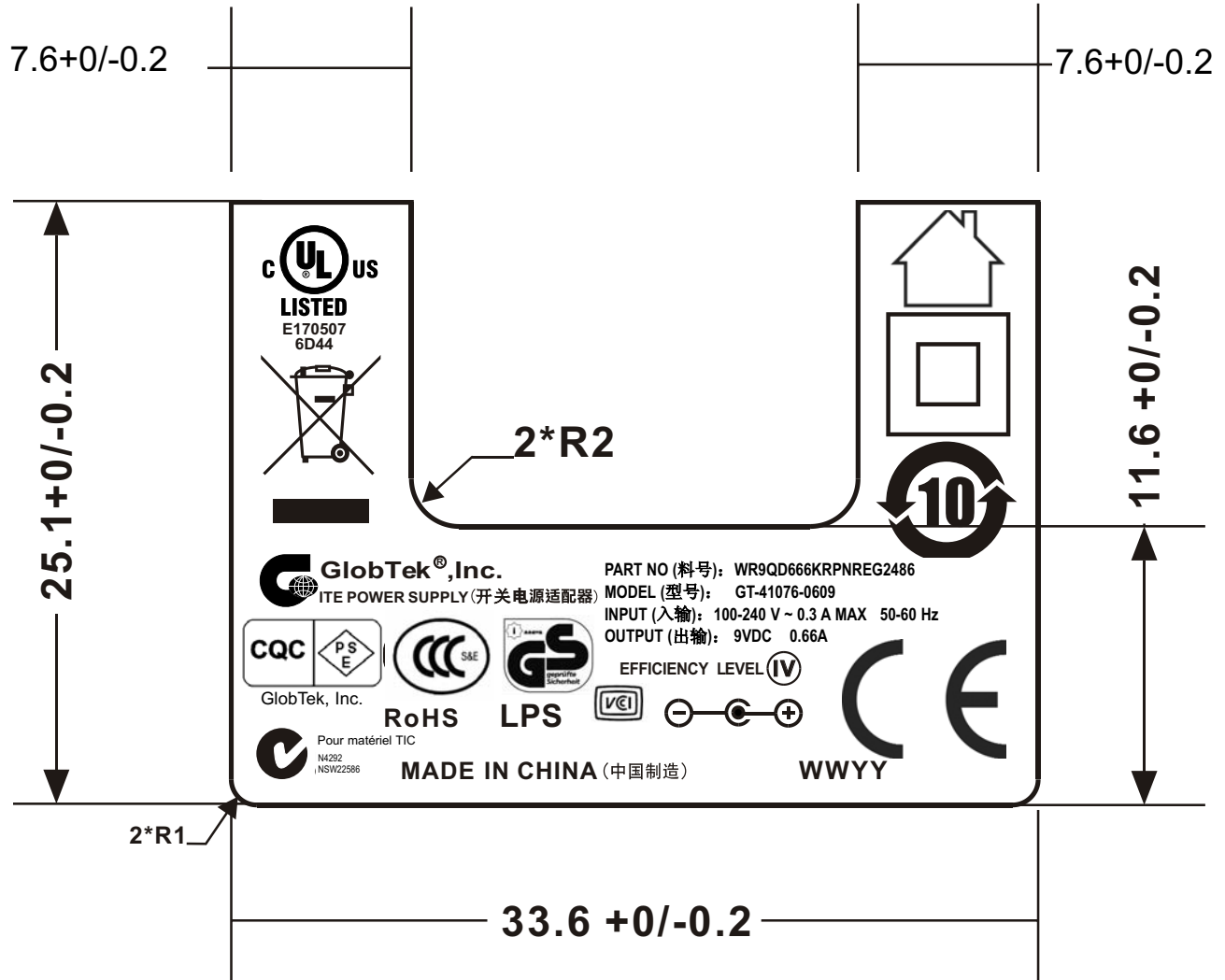


	<b>GlobTek, Inc.</b> www.globtek.com	186 Veterans Dr. Northvale, NJ 07647 Tel. 201-784-1000 Fax 201.784.0111
	DWG TITLE: WALL PLUG-IN SWITCHING POWER SUPPLY, 6 WATTS, 9V@0.666A UNIVERSAL INPUT, ITE, CLASS II	
MODEL NO: GT-41076-0609	REV. A	
PART NO: <b>WR9QD666KRPNREG2486</b>	SHEET 3 OF 6	


PROPRIETARY INFORMATION:  
 PROPRIETARY OF GLOBTEK, INC. ANY REPRODUCTION, DISCLOSURE OR  
 USE OF THIS DRAWING, IN WHOLE OR IN PART, IS HEREBY  
 PROHIBITED EXCEPT AS SPECIFIED IN WRITING BY GLOBTEK, INC.

**6. LABEL:**

MATERIAL: .007 (0.18) THICK FLAT THERMAL TRANSFER, IMPRINTABLE, BLACK POLYESTER SHEET WITH WHITE OR GRAY NOMENCLATURE.  
 MANUFACTURER: STEVEN LABEL, MATERIAL I.D. NO.3302-33, UL FILE NO. MH12821(N), UL MATERIAL DESIGNATION FILE NO. GHW332RL.  
 OPTIONAL LABEL MATERIAL CAN BE SUBSTITUTED PROVIDING MATERIAL IS UL LISTED AND COMPLIES WITH APPLICABLE SAFETY REQUIREMENTS.



*ACTUAL POSITIONING OF SYMBOLS AND TEXT IS  
 SUBJECT TO CHANGE AT TIME OF MANUFACTURE*

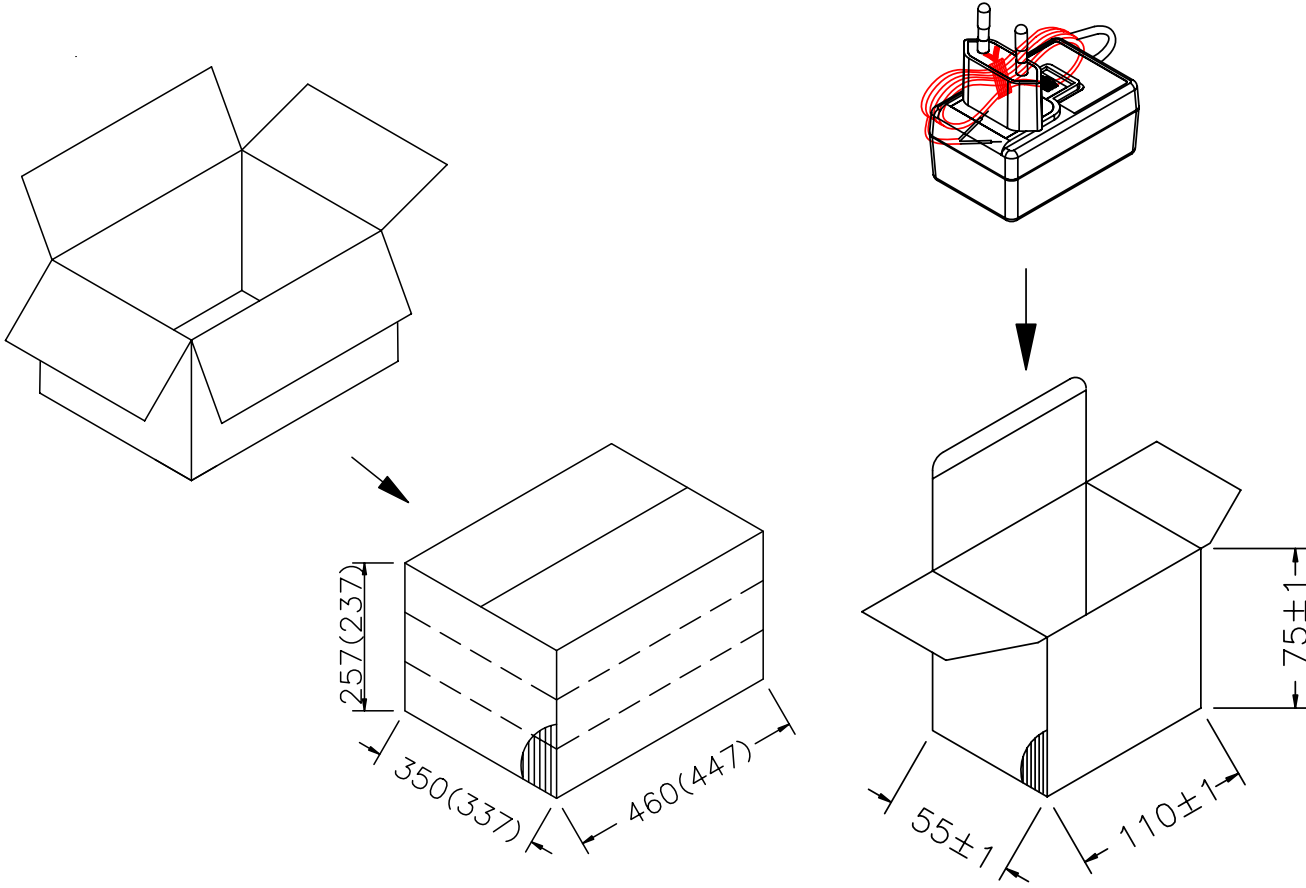
 <b>GlobTek, Inc.</b> <a href="http://www.globtek.com">www.globtek.com</a>		186 Veterans Dr. Northvale, NJ 07647 Tel. 201-784-1000 Fax 201.784.0111	
DWG TITLE: WALL PLUG-IN SWITCHING POWER SUPPLY, 6 WATTS, 9V@0.666A UNIVERSAL INPUT, ITE, CLASS II			
MODEL NO: GT-41076-0609			REV. A
PART NO: WR9QD666KRPNREG2486			SHEET 4 OF 6


**PROPRIETARY INFORMATION:**  
 PROPRIETARY OF GLOBTEK, INC. ANY REPRODUCTION, DISCLOSURE OR  
 USE OF THIS DRAWING, IN WHOLE OR IN PART, IS HEREBY  
 PROHIBITED EXCEPT AS SPECIFIED IN WRITING BY GLOBTEK, INC.

**7. PACKING:**

COVER BOARD: 445X335X3mm  
 CARTON SIZE: 460X350X257mm

Q'TY: 72pcs(24x3)



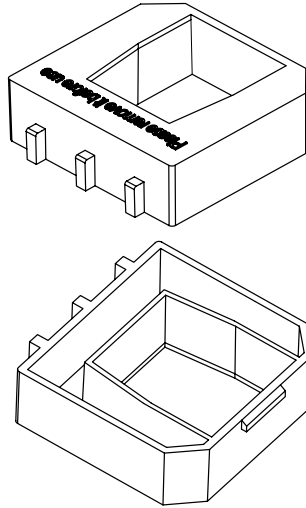
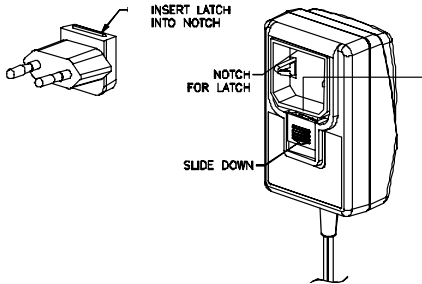
 <b>GlobTek, Inc.</b> <a href="http://www.globtek.com">www.globtek.com</a>		186 Veterans Dr. Northvale, NJ 07647 Tel. 201-784-1000 Fax 201.784.0111
DWG TITLE: WALL PLUG-IN SWITCHING POWER SUPPLY, 6 WATTS, 9V@0.666A UNIVERSAL INPUT, ITE, CLASS II		
MODEL NO: GT-41076-0609		REV. A
PART NO: <b>WR9QD666KRPNREG2486</b>		SHEET 5 OF 6

**PROPRIETARY INFORMATION:**

PROPRIETARY OF GLOBTEK, INC. ANY REPRODUCTION, DISCLOSURE OR USE OF THIS DRAWING, IN WHOLE OR IN PART, IS HEREBY PROHIBITED EXCEPT AS SPECIFIED IN WRITING BY GLOBTEK, INC.

**AC PLUG ASSEMBLY INSTRUCTION**

PROTECTION FRAME(Color white or black)  
Note: Please remove before insert the AC PLUG




**China RoHS SELF DISCLOSURE TABLE**

有毒有害物质或元素名称及含量标准形式 Name and concentration of hazardous substance or element in product						
零件名 Name of part	剧毒有害物质或元素 Hazardous substance or element					
	铅 Pb	汞 Hg	镉 Cd	六价铬 Cr(VI)	多溴联苯 PBB	多溴二苯醚 PBDE
Diode (ITO-220AB) 二极管	X	○	○	○	○	○
SMD resistor SMD 电阻	X	○	○	○	○	○
SMD Diode SMD 二极管	X	○	○	○	○	○
PLUG 直流输出端子	X	○	○	○	○	○
AC PIN 交流输入端子	X	○	○	○	○	○

○: 表示该有毒有害物质在这部件中所有同质材料中的含量均在SJ/T 11363-2006规定的限量要求以下。  
○: refers to the concentration of this hazard substance in the all homogenous materials in this part is below the concentration limit as stipulated in the standard SJ/T 11363-2006.

X: 表示该有毒有害物质至少在这部件中的某一同质材料中的含量超出 SJ/T 11363-2006规定的限量要求。  
X: refers to the concentration of this hazard substance at least in a homogenous material is higher than the concentration limit as stipulated in the standard SJ/T 11363-2006.

 <b>GlobTek, Inc.</b> www.globtek.com	186 Veterans Dr. Northvale, NJ 07647 Tel. 201-784-1000 Fax 201.784.0111
	DWG TITLE: WALL PLUG-IN SWITCHING POWER SUPPLY, 6 WATTS, 9V@0.666A UNIVERSAL INPUT, ITE, CLASS II
MODEL NO: GT-41076-0609	REV. A
PART NO: <b>WR9QD666KRPNREG2486</b>	SHEET 6 OF 6