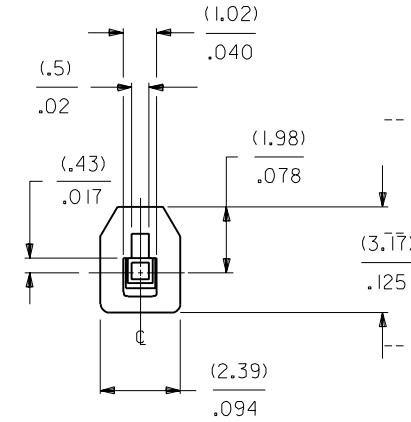
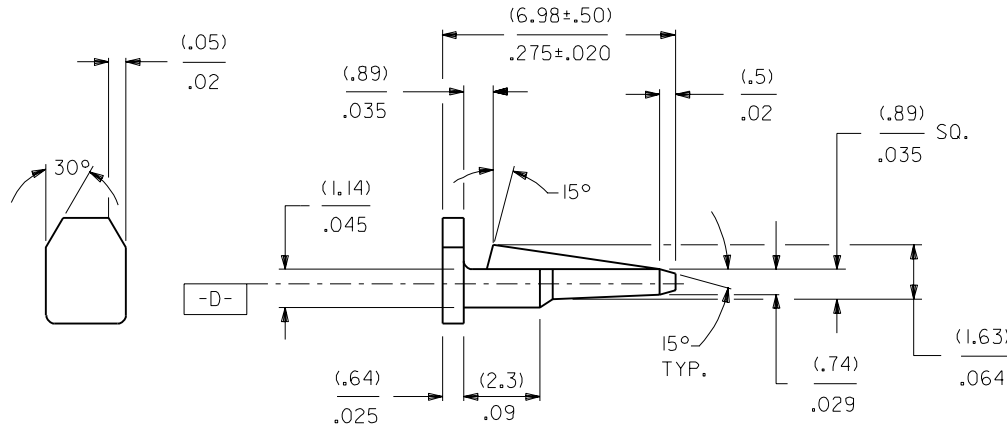


NOTES:

1. PARTS TO BE SUPPLIED AS LOOSE PIECES.
2. MATERIAL: POLYESTER 94V-0, NATURAL COLOR.



4161-1
15-04-9209

M	MATERIAL WAS NYLON ECR U90661 8-14-89 A.GUZIK		
M	REDRAW ON CAD ECR 10301 10-16-87 A.GUZIK		
MFG.	SH.	REV.	LTR.
			REVISIONS

DIMENSIONS SHOWN (METRIC) INCH		REVISIONS																																									
UNLESS OTHERWISE SPECIFIED TOLERANCES: ANGULAR ± 1/2°		REVISIONS																																									
<table border="1"> <thead> <tr> <th></th> <th>INCH</th> <th>METRIC</th> </tr> </thead> <tbody> <tr> <td>3 PLACE</td> <td>± .010</td> <td>---</td> </tr> <tr> <td>2 PLACE</td> <td>± .014</td> <td>± .25</td> </tr> <tr> <td>1 PLACE</td> <td>---</td> <td>± .36</td> </tr> </tbody> </table>			INCH	METRIC	3 PLACE	± .010	---	2 PLACE	± .014	± .25	1 PLACE	---	± .36	<table border="1"> <tr> <td>3</td> <td>2</td> <td>1</td> </tr> <tr> <td>M</td> <td>L</td> <td>M</td> </tr> <tr> <td>MFG.</td> <td>SH.</td> <td>REV.</td> </tr> <tr> <td></td> <td></td> <td>LTR.</td> </tr> <tr> <td></td> <td></td> <td>REVISIONS</td> </tr> </table>		3	2	1	M	L	M	MFG.	SH.	REV.			LTR.			REVISIONS													
	INCH	METRIC																																									
3 PLACE	± .010	---																																									
2 PLACE	± .014	± .25																																									
1 PLACE	---	± .36																																									
3	2	1																																									
M	L	M																																									
MFG.	SH.	REV.																																									
		LTR.																																									
		REVISIONS																																									
DRAFT WHERE APPLICABLE MUST REMAIN WITHIN DIMENSIONS		<table border="1"> <tr> <td colspan="2">TITLE</td> <td colspan="2">REVISIONS</td> </tr> <tr> <td colspan="2">(POLARIZING KEY)</td> <td colspan="2"></td> </tr> <tr> <td colspan="2">FOR KK (2.54) / 100</td> <td colspan="2"></td> </tr> </table>		TITLE		REVISIONS		(POLARIZING KEY)				FOR KK (2.54) / 100																															
TITLE		REVISIONS																																									
(POLARIZING KEY)																																											
FOR KK (2.54) / 100																																											
<table border="1"> <tr> <td>DRWG. BY</td> <td>CHK'D. BY</td> <td>FILE NAME</td> <td>THIS DRAWING CONTAINS INFORMATION THAT IS PROPRIETARY TO MOLEX INC. AND SHOULD NOT BE USED WITHOUT WRITTEN PERMISSION.</td> </tr> <tr> <td>GUZIK</td> <td>PATEL</td> <td>S4161X1</td> <td></td> </tr> <tr> <td>APP'D. BY</td> <td>SCALE</td> <td></td> <td></td> </tr> <tr> <td>LENZ</td> <td></td> <td></td> <td></td> </tr> </table>		DRWG. BY	CHK'D. BY	FILE NAME	THIS DRAWING CONTAINS INFORMATION THAT IS PROPRIETARY TO MOLEX INC. AND SHOULD NOT BE USED WITHOUT WRITTEN PERMISSION.	GUZIK	PATEL	S4161X1		APP'D. BY	SCALE			LENZ				<table border="1"> <tr> <td colspan="2">MOLEX INCORPORATED</td> <td>SHEET NO.</td> <td>DATE</td> </tr> <tr> <td colspan="2">LISLE, ILL. 60532 U.S.A.</td> <td>1 OF 2</td> <td>10 / 16 / 87</td> </tr> <tr> <td colspan="2">PART NO.</td> <td>DRWG. NO.</td> <td></td> </tr> <tr> <td colspan="2"></td> <td>SD-4161</td> <td></td> </tr> <tr> <td colspan="2"></td> <td>DIV.</td> <td>SIZE</td> </tr> <tr> <td colspan="2"></td> <td>KK</td> <td>B</td> </tr> </table>		MOLEX INCORPORATED		SHEET NO.	DATE	LISLE, ILL. 60532 U.S.A.		1 OF 2	10 / 16 / 87	PART NO.		DRWG. NO.				SD-4161				DIV.	SIZE			KK	B
DRWG. BY	CHK'D. BY	FILE NAME	THIS DRAWING CONTAINS INFORMATION THAT IS PROPRIETARY TO MOLEX INC. AND SHOULD NOT BE USED WITHOUT WRITTEN PERMISSION.																																								
GUZIK	PATEL	S4161X1																																									
APP'D. BY	SCALE																																										
LENZ																																											
MOLEX INCORPORATED		SHEET NO.	DATE																																								
LISLE, ILL. 60532 U.S.A.		1 OF 2	10 / 16 / 87																																								
PART NO.		DRWG. NO.																																									
		SD-4161																																									
		DIV.	SIZE																																								
		KK	B																																								