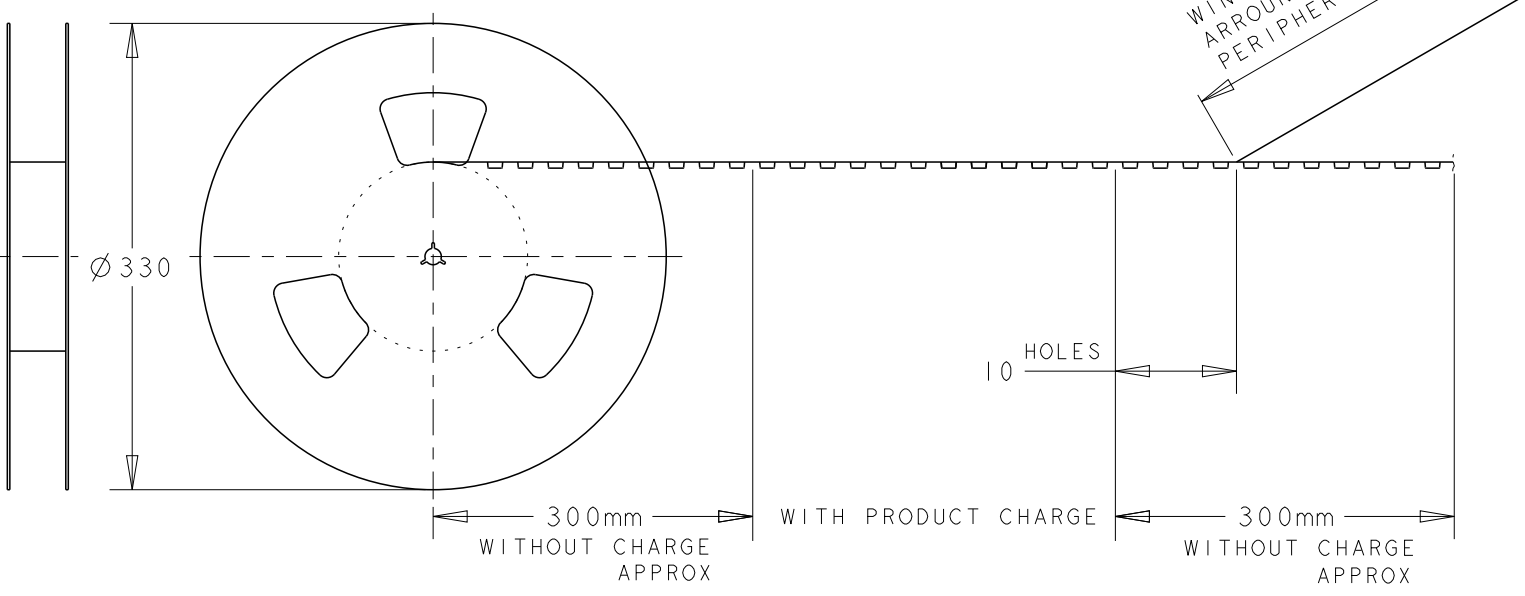
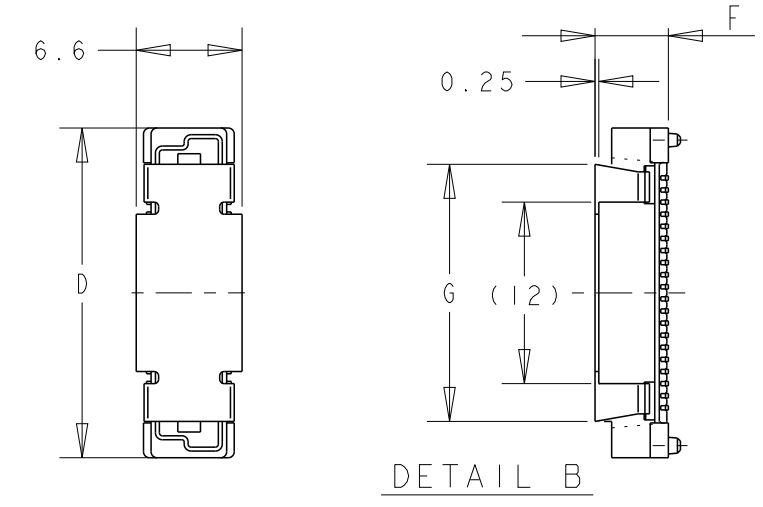
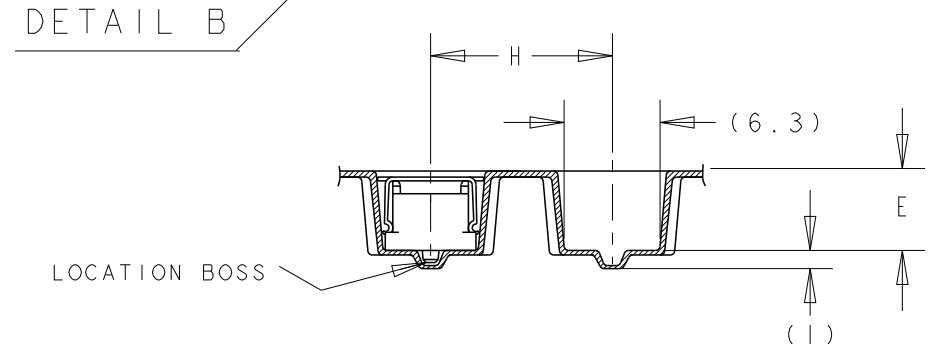
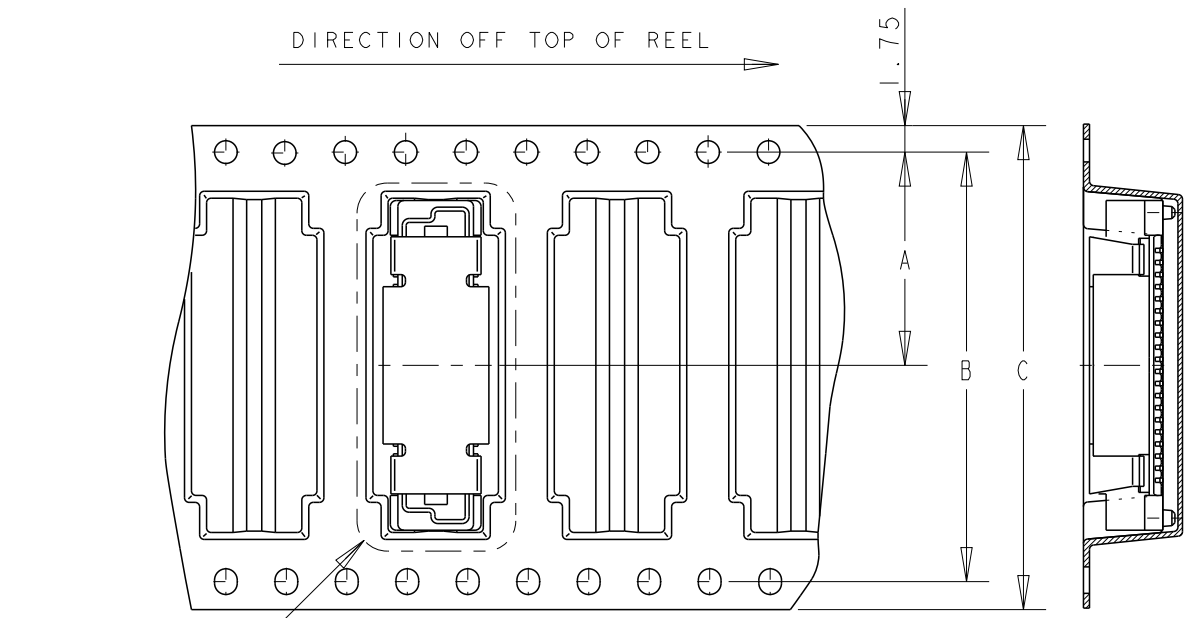


THIS DRAWING IS UNPUBLISHED. RELEASED FOR PUBLICATION 20  
 © COPYRIGHT 20 BY - ALL RIGHTS RESERVED.

REVISIONS

P	LTR	DESCRIPTION	DATE	DWN	APVD
	B2	REVISED PER ECN-23-205269	28MAR2023	A.L	H.L

LOW HALOGEN



AVAILABLE	QTY	HEIGHT TYPE	H	G	F	E	D	C	B	A	POS	PART NO.
	600	8H	12	17	7.85	8.6	29.8	44	40.4	20.2	60	2-6123001-1
							85.8				200	1-6123001-0
							77.8	104	100.4	50.2	180	6123001-9
							69.8				160	6123001-8
							61.8	88	84.4	42.2	140	6123001-6
							53.8				120	6123001-5
	400		16				45.8	72	68.4	34.2	100	6123001-4
							37.8	56	52.4	26.2	80	6123001-3
							29.8	44	40.4	20.2	60	6123001-2
	600	8H	12	17	7.85	8.6	21.8	32	28.4	14.2	40	6123001-1

NOTE:  
 5 CONNECTOR WITH BLACK HOUSING.

THIS DRAWING IS A CONTROLLED DOCUMENT.

DIMENSIONS: mm	TOLERANCES UNLESS OTHERWISE SPECIFIED:
	0 PLC ±-
	1 PLC ±0.3
	2 PLC ±0.25
	3 PLC ±0.20
	4 PLC ±0.000J
	ANGLES ±3
MATERIAL	FINISH
SEE NOTE 1	SEE NOTE 2

THIS DRAWING IS A CONTROLLED DOCUMENT. DWN WYLEE 27OCT04  
 CHK VINCENT TAN  
 APVD ERIC ING  
 PRODUCT SPEC 108-5390  
 APPLICATION SPEC 114-5254  
 WEIGHT -

**STE** TE Connectivity

NAME EMBOSS ASSY FOR FH 0.8BTB CONNECTOR PLUG 8H 0.5 BOSS LENGTH

SIZE	CAGE CODE	DRAWING NO	RESTRICTED TO
A3	00779	C-6123001	

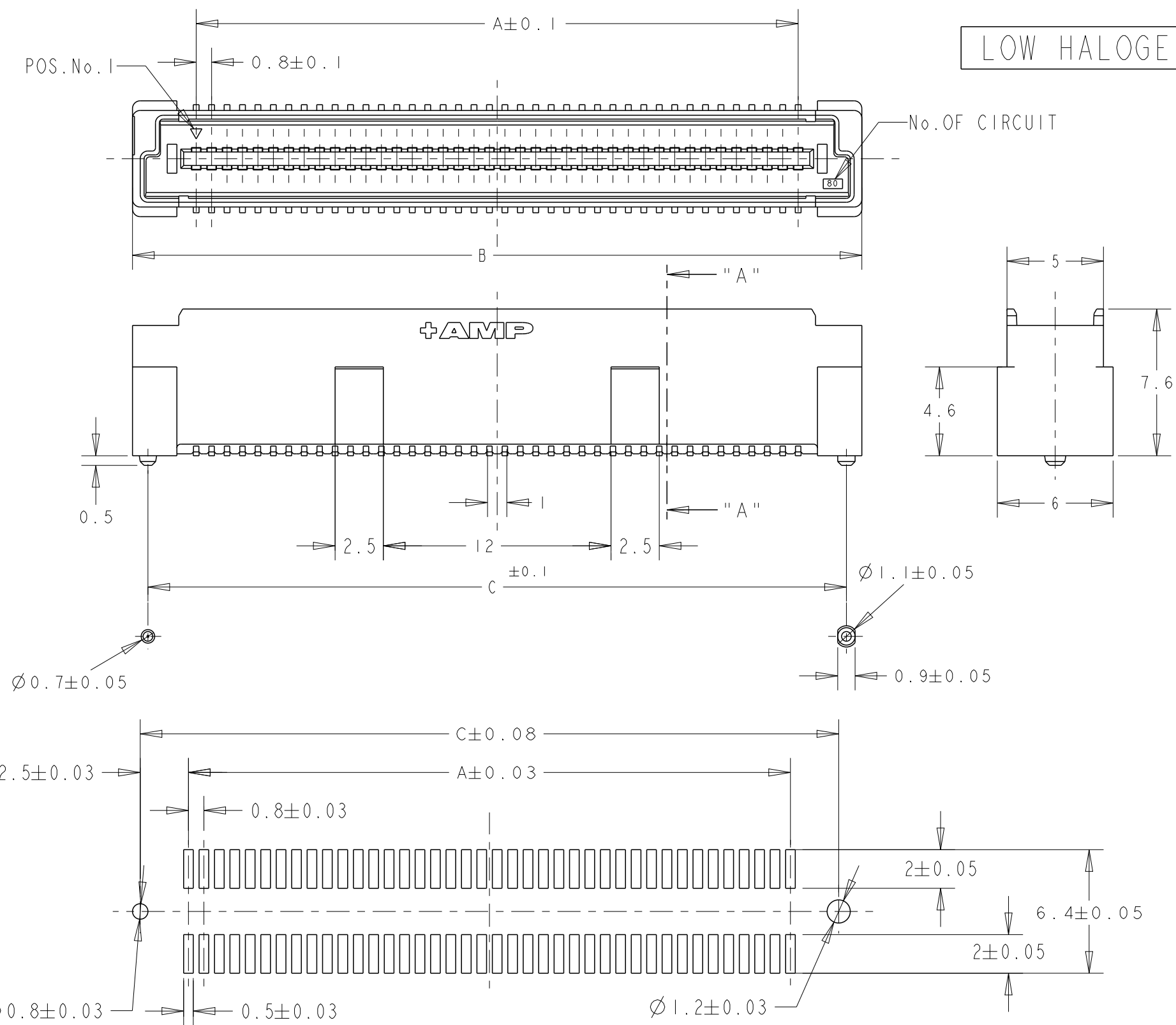
CUSTOMER DRAWING SCALE 2:1 SHEET 1 OF 2 REV B2

THIS DRAWING IS UNPUBLISHED. RELEASED FOR PUBLICATION 20  
COPYRIGHT 20 BY - ALL RIGHTS RESERVED.

REVISIONS

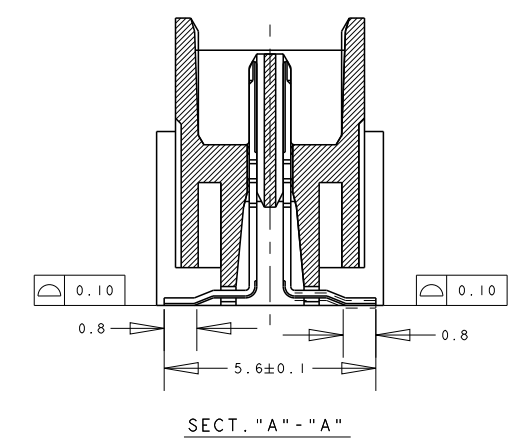
P	LTR	DESCRIPTION	DATE	DWN	APVD
-	-	SEE SHEET 1	-	-	-

LOW HALOGEN



NOTES:

- 1. MATERIAL:  
HOUSING: L.C.P. (HIGH TEMP. THERMOPLASTIC)  
UL 94V-0, NATURAL.  
CONTACT: BRASS.
- 2. FINISH:  
CONTACT AREA: 0.00076 MIN GOLD ON  
0.0013 MIN ALL OVER NICKEL.  
SOLDERING AREA: 0.002 MIN MATTE-TIN.
- 3. POSITION SERIES: SEE TABLE.
- 4. CONN STACK HEIGHT COMBINE OF PLUG "Y" H VS REC "X" H.  
STACK HEIGHT = Y + X - 5



5	28.2	29.8	23.2	60	2-6123001-1
	84.2	85.8	79.2	200	1-6123001-0
	76.2	77.8	71.2	180	6123001-9
	68.2	69.8	63.2	160	6123001-8
	60.2	61.8	55.2	140	6123001-6
	52.2	53.8	47.2	120	6123001-5
	44.2	45.8	39.2	100	6123001-4
	36.2	37.8	31.2	80	6123001-3
	28.2	29.8	23.2	60	6123001-2
	20.2	21.8	15.2	40	6123001-1
	C	B	A	POS.	CONN P/N

RECOMMENDED P.C. BOARD LAYOUT

THIS DRAWING IS A CONTROLLED DOCUMENT.

DWN WYLEE 27OCT04  
CHK VINCENT TAN  
APVD ERIC ING  
PRODUCT SPEC 108-5390  
APPLICATION SPEC 114-5254  
WEIGHT -

**STE** TE Connectivity

NAME EMBOSS ASSY FOR FH 0.8BTB CONNECTOR PLUG 8H 0.5 BOSS LENGTH

SIZE A3	CAGE CODE 00779	DRAWING NO C-6123001	RESTRICTED TO
---------	-----------------	----------------------	---------------

CUSTOMER DRAWING SCALE 2:1 SHEET 2 OF 2 REV B2

DIMENSIONS:	TOLERANCES UNLESS OTHERWISE SPECIFIED:
mm	
	0 PLC ±
	1 PLC ±0.3
	2 PLC ±0.25
	3 PLC ±0.20
	4 PLC ±0.000J
	ANGLES ±3
MATERIAL	FINISH
SEE NOTE 1	SEE NOTE 2