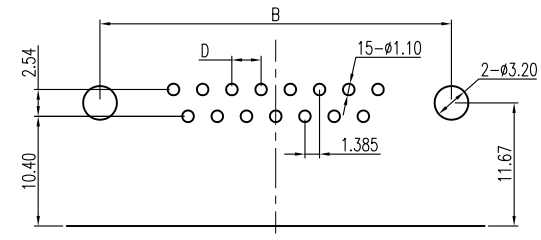
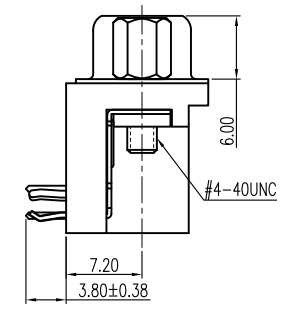
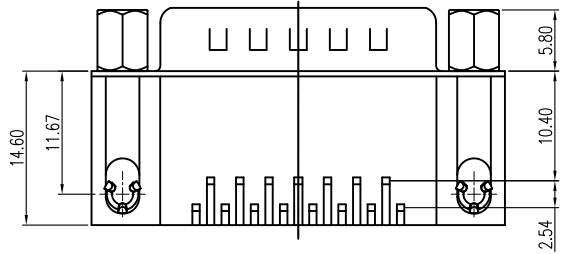
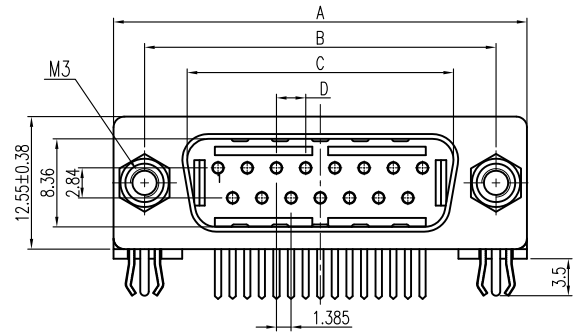


This document is the property of Amphenol Corporation and is delivered on the express condition that it is not to be disclosed, reproduced or used, in whole or in part, for manufacture or sale by anyone other than Amphenol Corporation without its prior consent, & that no right is granted to disclose or to use any information in this document.

Customer drawing



RECOMMENDED P.C.B LAYOUT
(TOLERANCE ±0.05MM)



Dimensions	Positions			
	A±0.38	B	C	D
9	30.81	24.99	16.92	2.77
15	39.19	33.32	25.25	2.77
25	53.04	47.04	38.96	2.77
37	69.32	63.50	55.42	2.77

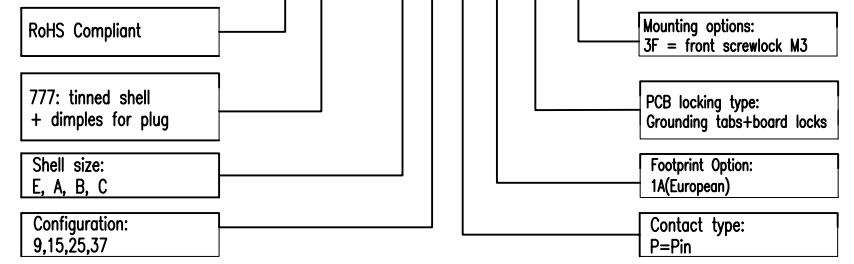
REVISIONS				
SYM	ECN	DESCRIPTION	DATE	APPROVED
1	HK--	First Release Drawing	09/16/10	IP
2	HK--	Update the Drawing	11/26/14	IP
3	HK--	Update the Drawing	12/12/14	IP

D-SUB TECHNICAL DATA

SHELL : SPCC, 80u" min nickel over 50u" min Copper
 BODY : PBT, UL 94V-0, Color:Black.
 CONTACTS : Copper alloy
 15u" Gold over 50u" nickel on mating area
 100u" tin over 50u" nickel on solder area
 BOARDLOCK: Copper Alloy, Tin Plated.
 RIVET: Copper Alloy, Nickel Plated.
 SCREWLOCK: Copper Alloy, Nickel Plated.
 ELECTRICAL : Voltage rating 250 VAC (RMS)
 Current Rating :3 AMP
 Withstanding Voltage >1000 VAC(RMS)
 Insulation resistance >1000 M Ohms
 Contact resistance 25 mOhms max
 MARKING : Amphenol...(Series No.)
 Commercial reference
 Manufacturing date

PRODUCT CODE

L 777 SD X XX P 1A CH 3F



UNLESS OTHERWISE SPECIFIED TOLERANCES U.S. METRIC .X +/- 0.50 .XX +/- 0.30 .XXX +/- 0.20 FRACTIONS +/- ANGLES +/- 5° FOR MATERIALS AND FINISHES SEE NOTES REMOVE SHARP EDGES DIMENSIONS U.S. INCHES METRIC MM	APPROVAL DRAWN <i>Pete Liu</i> 12/12/14 CHECKED <i>Tony Tang</i> 12/12/14 CHECKED	DATE 12/12/14	Amphenol Amphenol East Asia Limited TITLE Stamped and formed contact,SD series SIZE DRAWING NO. A4 L777SDXXXP1ACH3F SCALE NONE SHEET 1 OF 1
	DRAWING FILE :		
	ANGLE OF PROJECTION 		
	REV. 3		