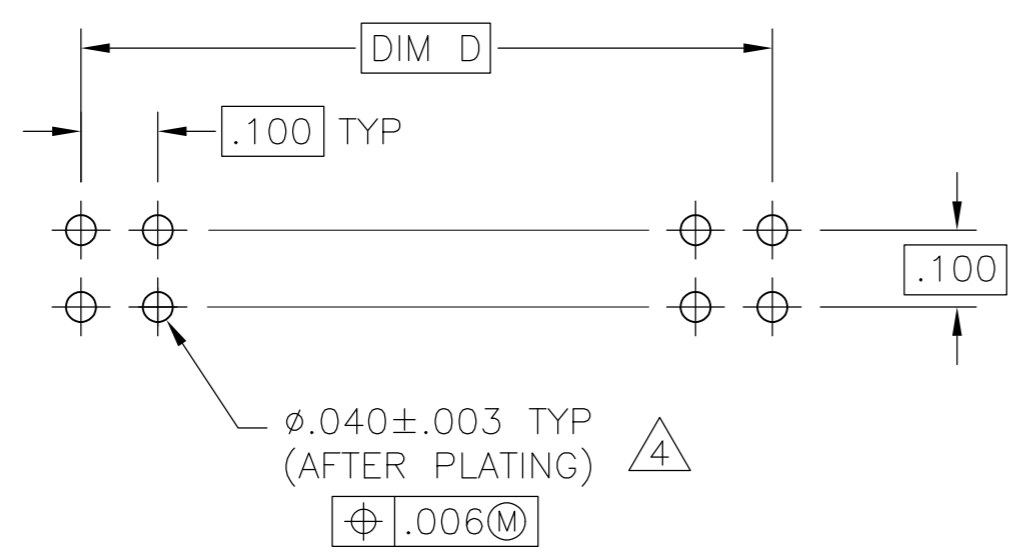
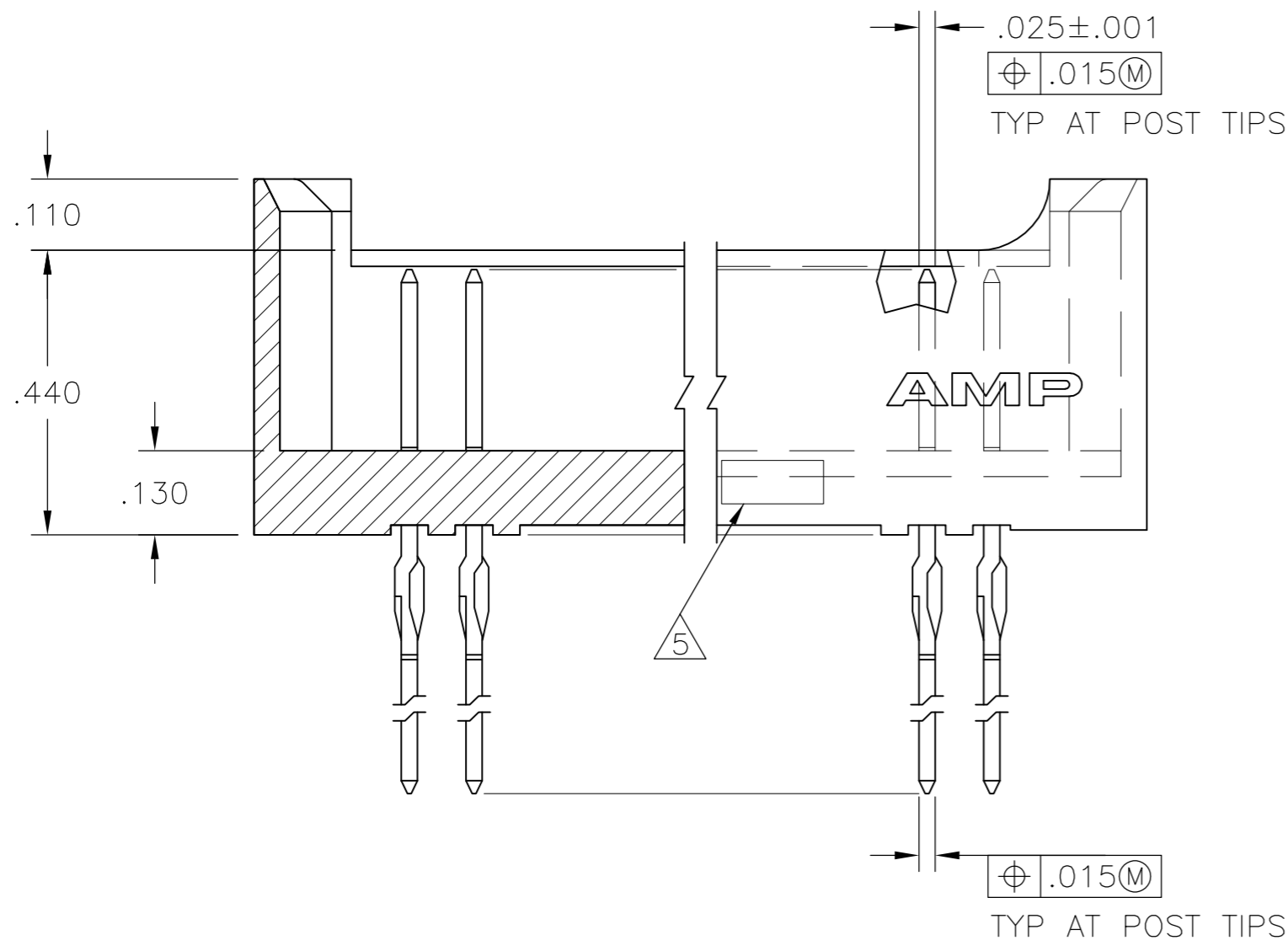
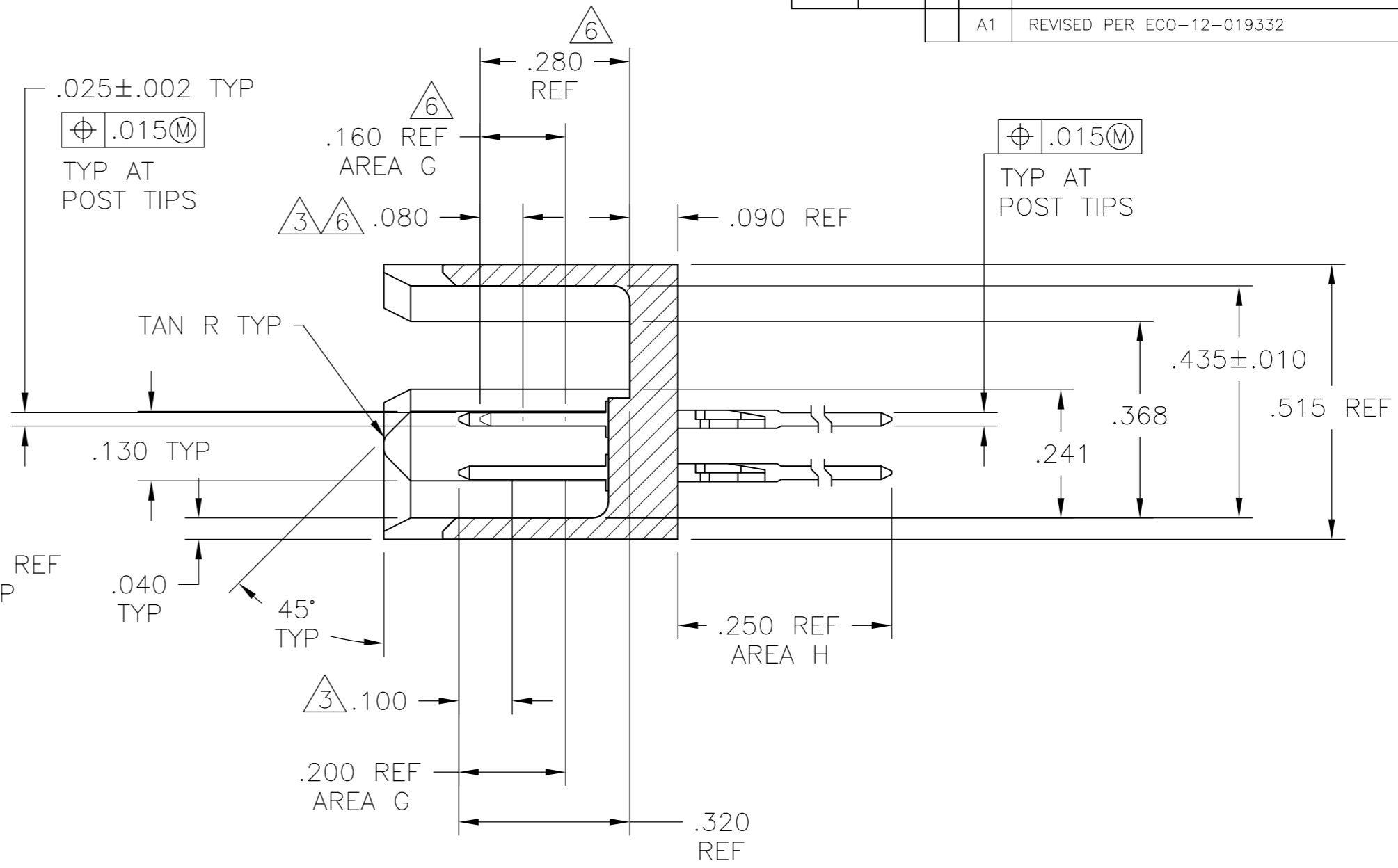
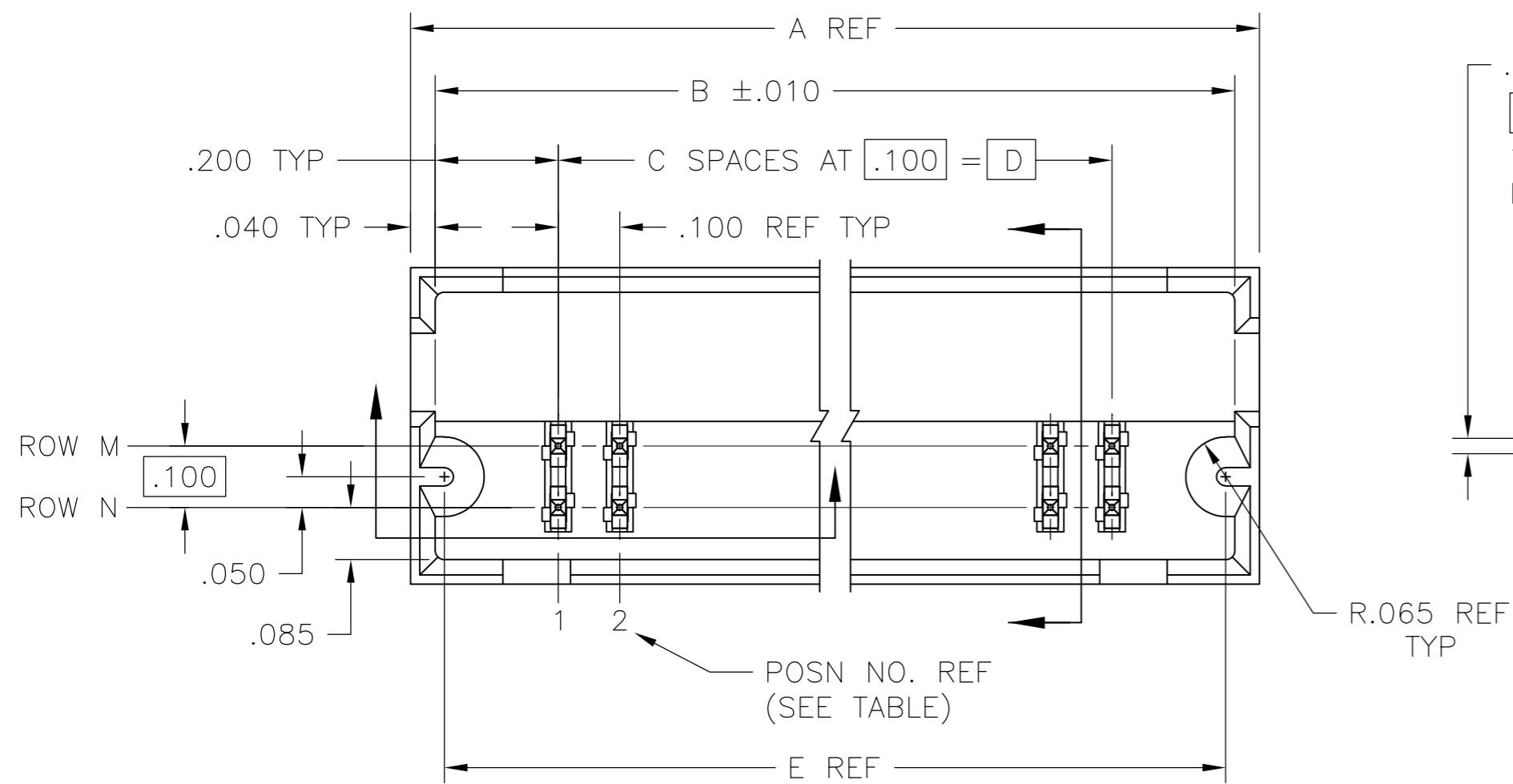


THIS DRAWING IS UNPUBLISHED. RELEASED FOR PUBLICATION
 © COPYRIGHT - By - ALL RIGHTS RESERVED.

LOC		DIST		REVISIONS			
P	LTR	DESCRIPTION	DATE	DWN	APVD		
AD	00						
	A1	REVISED PER ECO-12-019332	07NOV12	KH	JO		



RECOMMENDED PC BOARD LAYOUT

- 1 MATERIAL: HOUSING- FLAME RETARDANT THERMOPLASTIC, COLOR- BLACK. POST- COPPER ALLOY.
- 2 DUPLEX PLATING: .000030 GOLD IN AREA G, .000100-.000200 BRIGHT TIN-LEAD IN AREA H, ALL OVER .000050 NICKEL.
- 3 POINT OF MEASUREMENT FOR PLATING THICKNESS.
- 4 RECOMMENDED DRILL SIZE: .0452±.0010
- 5 RECESSED DATE CODE AND CSA LOGO.
- 6 NOTED DIMENSIONS FOR SELECT LOADED (.280 HIGH) POSTS.
- 7 DUPLEX PLATING: .000030 GOLD IN AREA 'G', .000100-.000200 MATTE TIN IN AREA H, ALL OVER .000050 NICKEL
- 8 ROHS 2002/95/EC COMPLIANT

FINISH	3, 4	-	1.270	.900	9	1.300	1.380	20	5-1571422-1
	3, 4	-	1.270	.900	9	1.300	1.380	20	1571422-1
	ROW M	ROW N	E	D	C	B	A	NO. OF POSN	PART NO.
	SELECT LOADING .280 HIGH POST								

THIS DRAWING IS A CONTROLLED DOCUMENT.		DWN	R BROWN	13DEC02					
DIMENSIONS: INCHES		CHK	J GESFORD	13DEC02					
TOLERANCES UNLESS OTHERWISE SPECIFIED:		APVD	J GESFORD	13DEC02	NAME				
0 PLC	± -	PRODUCT SPEC			HEADER ASSY, MOD II, DOUBLE ROW, .100x.100 CL, .025 SQ, COMPLIANT PIN POSTS, FOR .093 NOMINAL AND THICKER BOARDS, SELECT LOAD				
1 PLC	± -	APPLICATION SPEC			SIZE	CAGE CODE	DRAWING NO	RESTRICTED TO	
2 PLC	± -	MATERIAL			WEIGHT	A2 00779 C=1571422		-	
3 PLC	± .005	FINISH			SCALE		SHEET		REV
4 PLC	± -	SEE TABLE			4:1		1 of 1		A1
ANGLES	± -	CUSTOMER DRAWING							