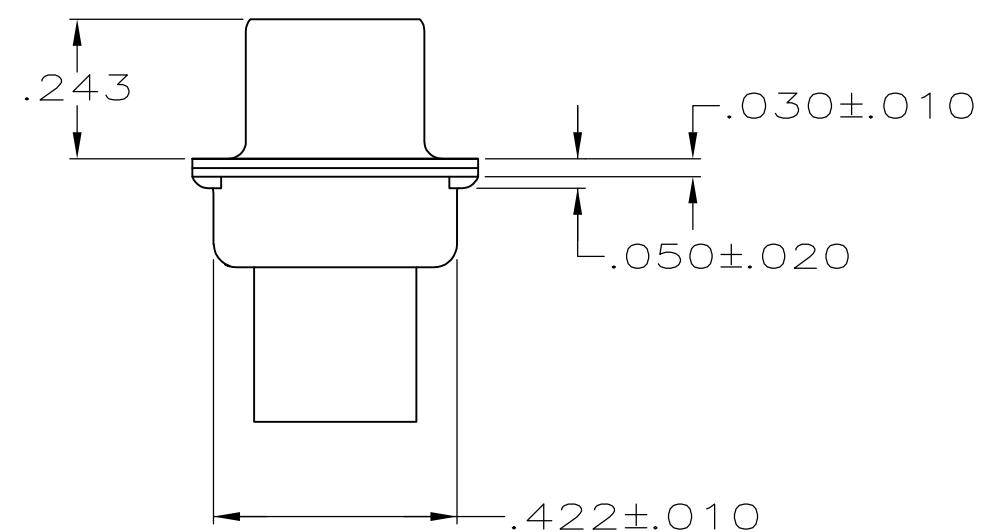
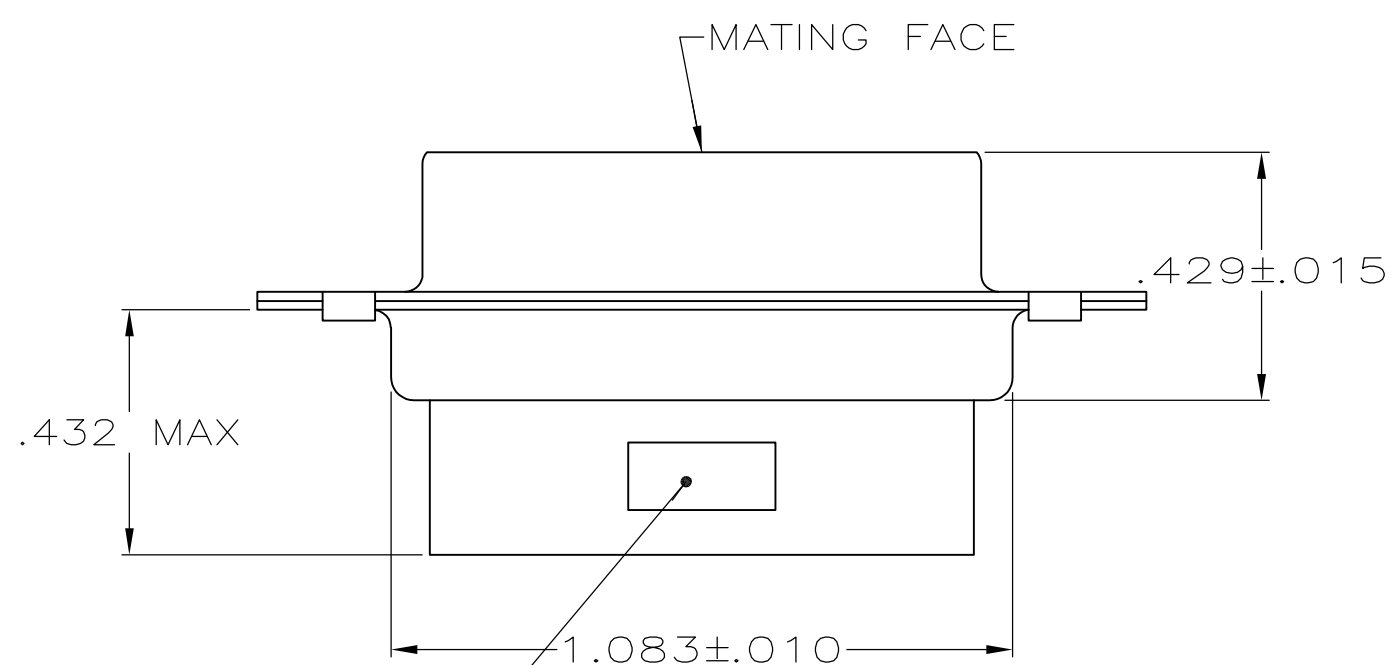
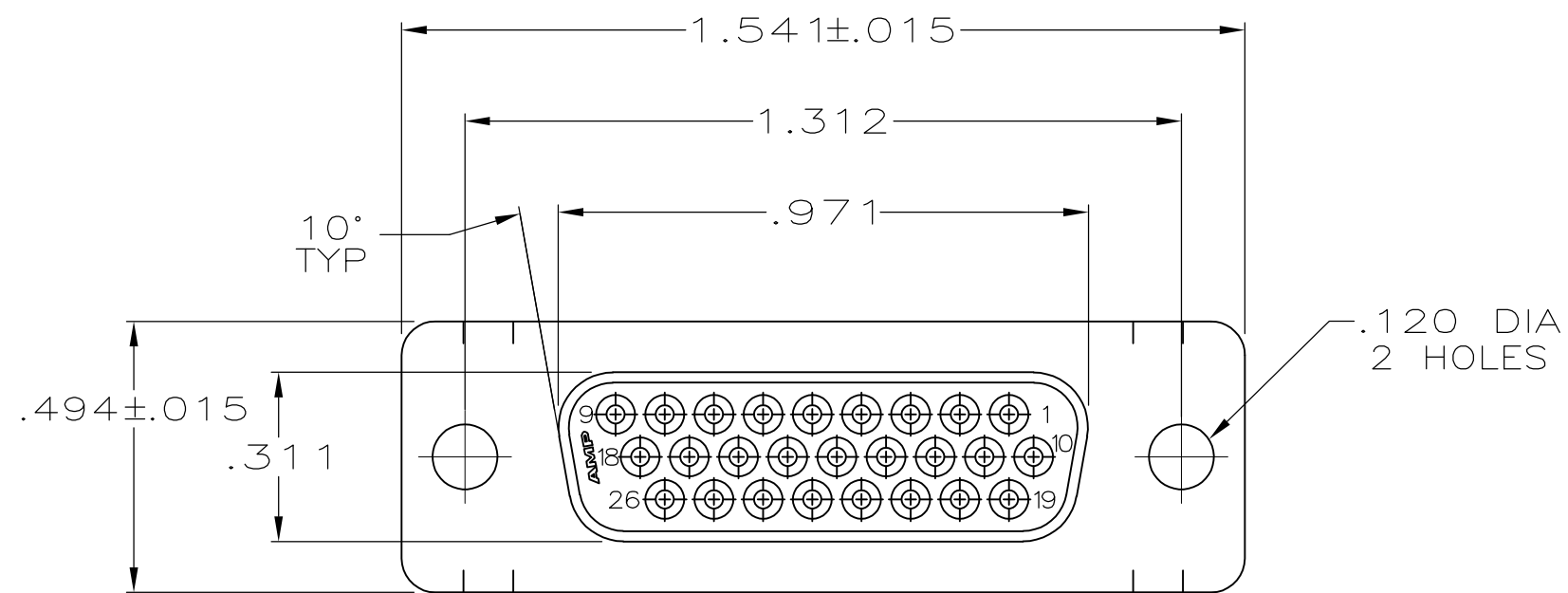


THIS DRAWING IS UNPUBLISHED. RELEASED FOR PUBLICATION
 © COPYRIGHT - By - ALL RIGHTS RESERVED.

LOC		DIST		REVISIONS			
P	LTR	DESCRIPTION		DATE	DWN	APVD	
GP	00	P		REVISED PER ECO-11-004835	11MAR11	RK	HMR



TYCO, PART NO & DATE CODE, MARKED IN AREA INDICATED, ON FAR SIDE

- 1. CONNECTOR ACCEPTS 22 DF SOCKET CONTACTS, RETENTION TINES ARE AN INTEGRAL PART OF INSERT.
- 2. FLAME RETARDANT 94V-0 RATED GLASS FILLED NYLON, COLOR: BLACK.
- 3. CARBON STEEL.
- 4. .000200 MIN. TIN PLATE OVER .000100 MIN. COPPER UNDERPLATE.

1658682-1
PART NUMBER

THIS DRAWING IS A CONTROLLED DOCUMENT.		DWN	02JAN04		
DIMENSIONS: INCHES		L. BAUM	02JAN04		
TOLERANCES UNLESS OTHERWISE SPECIFIED:		CHK	S. BOLASH		
		APVD	M. WALMSLEY		
0 PLC ± -		PRODUCT SPEC		NAME	
1 PLC ± -		108-1268		RECEPTACLE ASSEMBLY, SIZE 2, 26 POSN, HDP-22, AMPLIMITE®	
2 PLC ± -		APPLICATION SPEC		SIZE	CAGE CODE
3 PLC ± .005		114-10001		DRAWING NO	RESTRICTED TO
4 PLC ± -		WEIGHT		A2	00779
ANGLES ± 2°		CUSTOMER DRAWING		C=	1658682
MATERIAL MOLDED PARTS: SHELLS:		FINISH SHELLS:		SCALE	SHEET
				3:1	1 of 1
				REV	P