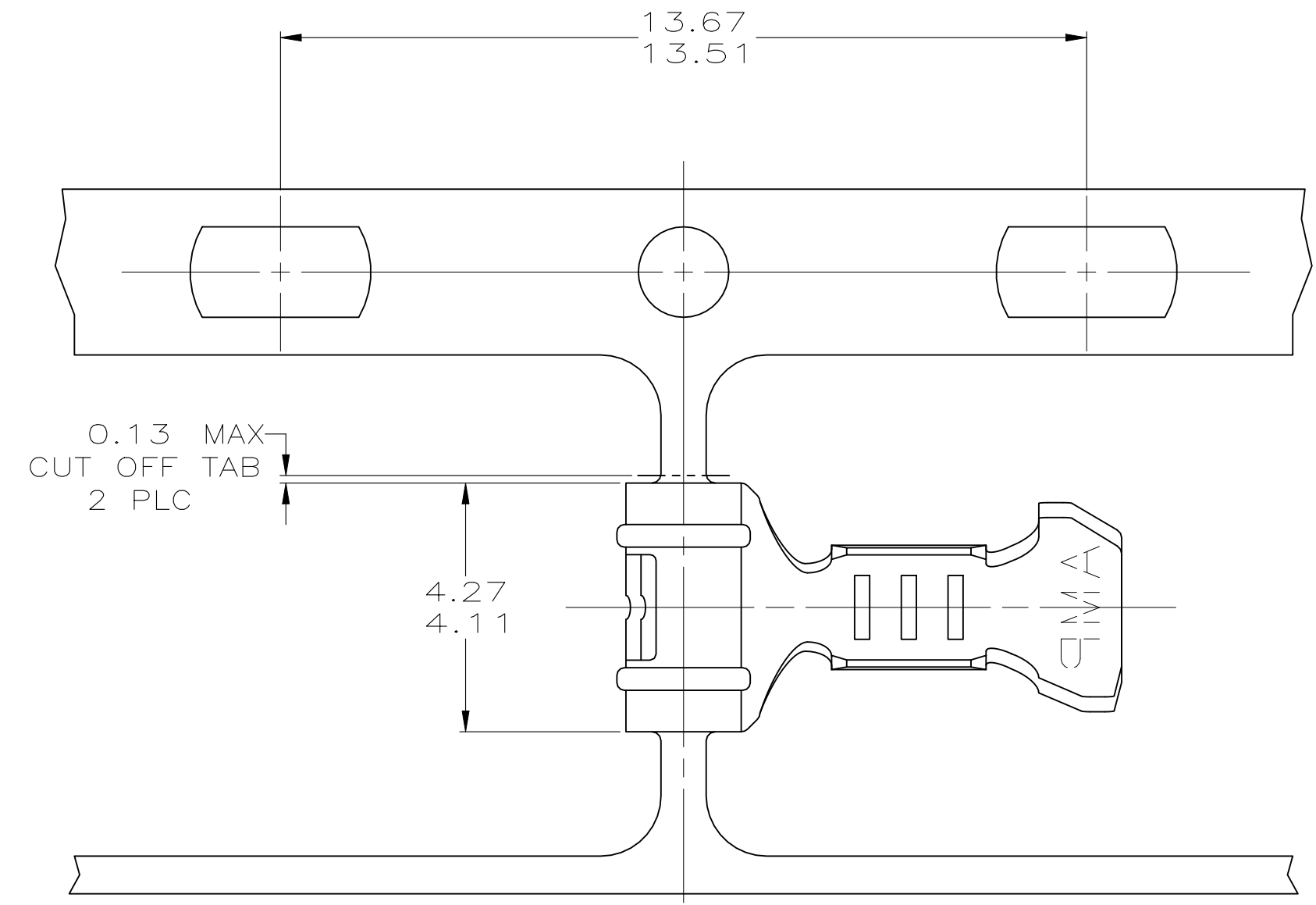
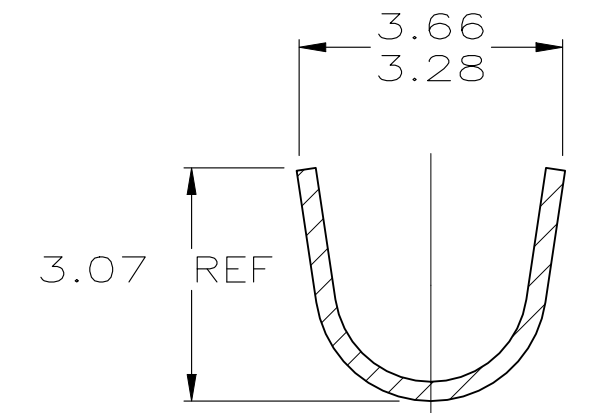
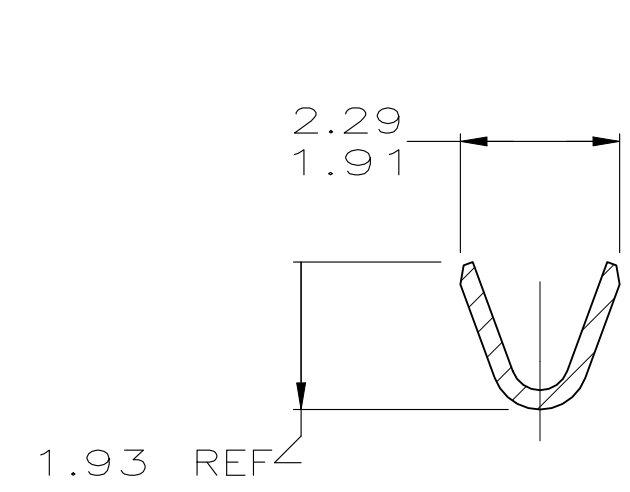
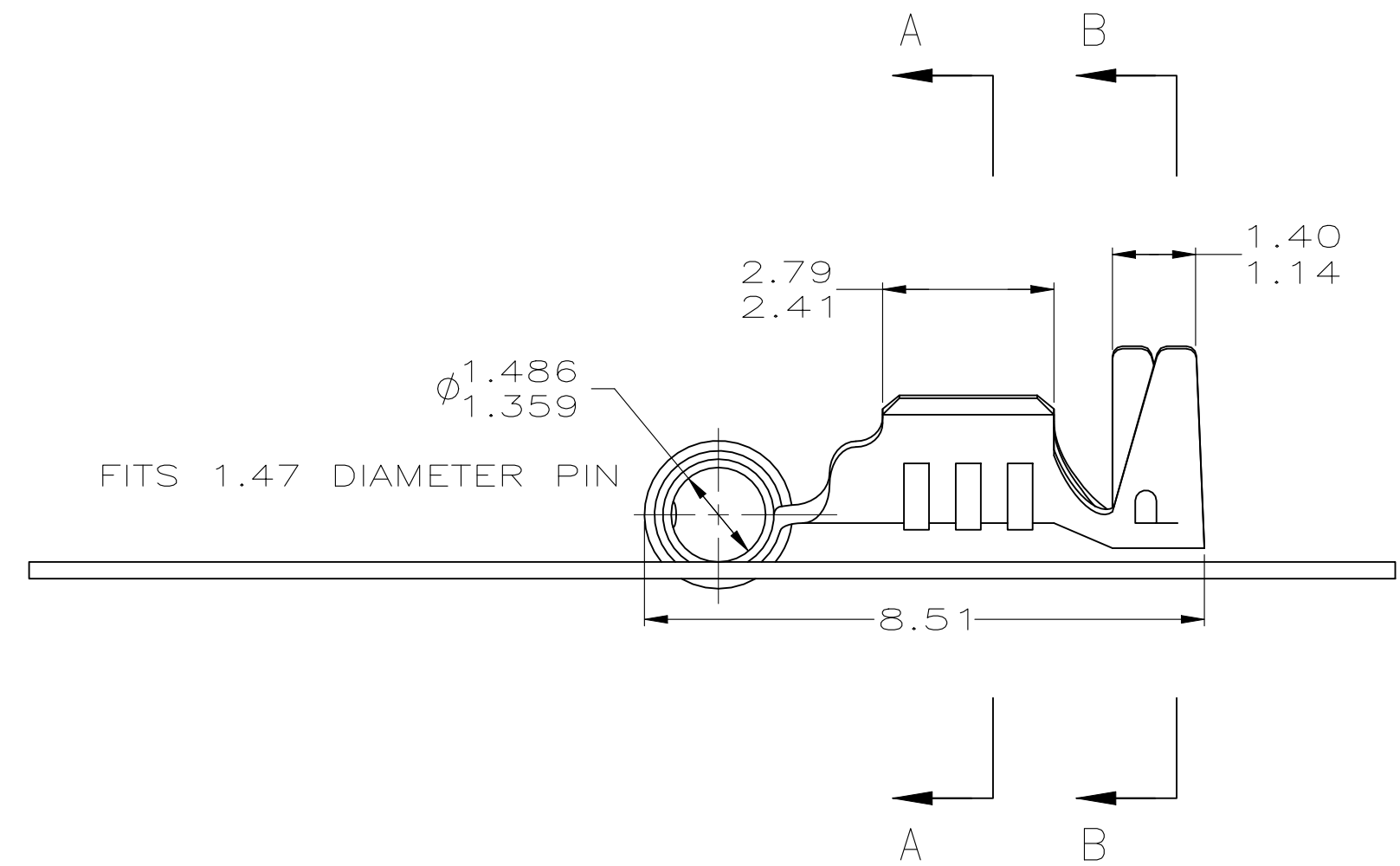


Loc	DIST	REVISIONS					
CM	52	P	LTR	DESCRIPTION	DATE	DWN	APVD
			F1	REVISED PER ECR-23-173447	6-6-23	SK	JP



1. WIRE RANGE: 0.2 - 0.6 MM² (24 - 20 AWG)
2. INSULATION RANGE: 1.02 - 2.54



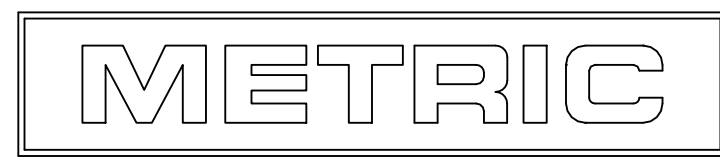
SECTION A-A

SECTION B-B

MATTE TIN	0.25 BE COPPER	61323-2
PRE TIN	0.25 PH BRZ	61323-1
FINISH	MATERIAL	PART NUMBER

1.40	.055	2.41	.095	4.11	.162	-	-
1.359	.0535	2.29	.090	3.66	.144	-	-
1.14	.045	1.93	.076	3.28	.129	13.67	.538
1.02	.040	1.91	.075	3.07	.121	13.51	.532
0.25	.010	1.486	.0585	2.79	.110	8.51	.335
0.13	.005	1.47	.058	2.54	.100	4.27	.168
MM	IN	MM	IN	MM	IN	MM	IN

CONVERSION TABLE



THIS DRAWING IS A CONTROLLED DOCUMENT.

DWN	T. BECK	5-22-97
CHK	R. SWING	5-22-97
APVD	A. BEDDICK	6-17-97

NAME: RECEPTACLE, .058 DIAMETER, 24-20 AWG, .040-.100 INSULATION, RIGHT ANGLE, P.C. CONTACT

SIZE: A2 CAGE CODE: 00779 DRAWING NO: 61323

MATERIAL: SEE TABLE FINISH: SEE TABLE WEIGHT: -

CUSTOMER DRAWING SCALE: 10:1 SHEET 1 OF 1 REV F1