

THIS DRAWING IS UNPUBLISHED.

RELEASED FOR PUBLICATION

20

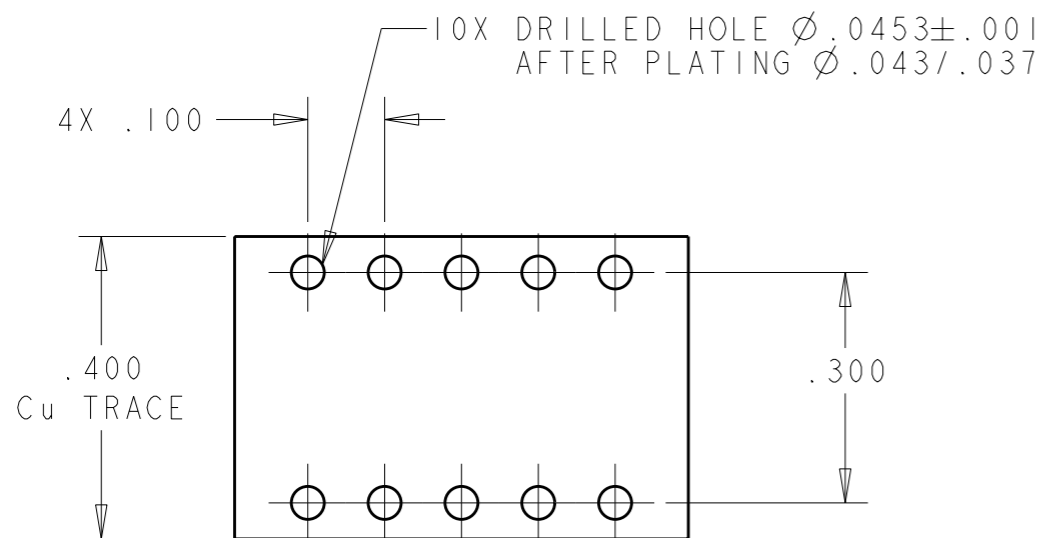
© COPYRIGHT 20

BY TYCO ELECTRONICS CORPORATION. ALL INTERNATIONAL RIGHTS RESERVED.

LOC GP DIST 00

REVISIONS

P	LTR	DESCRIPTION	DATE	DWN	APVD
	B	REV PER ECO-10-020184	11JAN2011	RG	NE

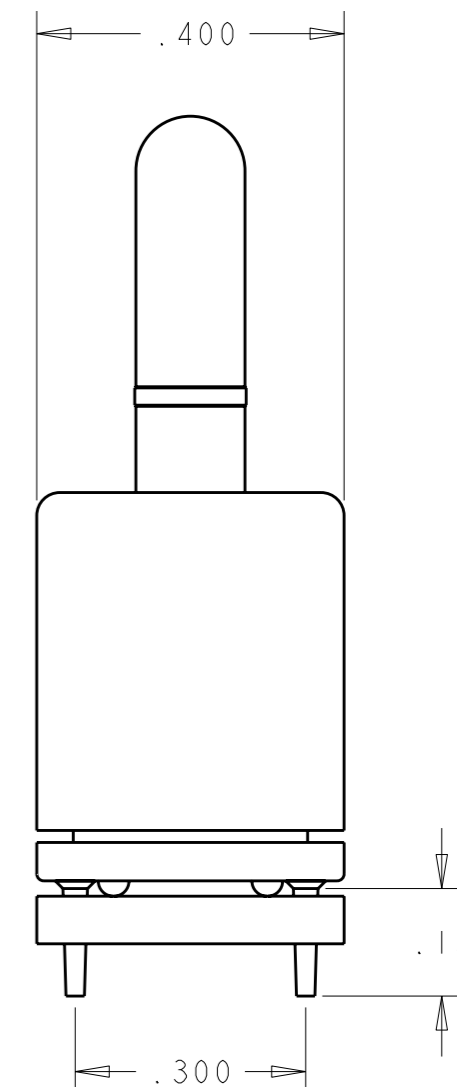
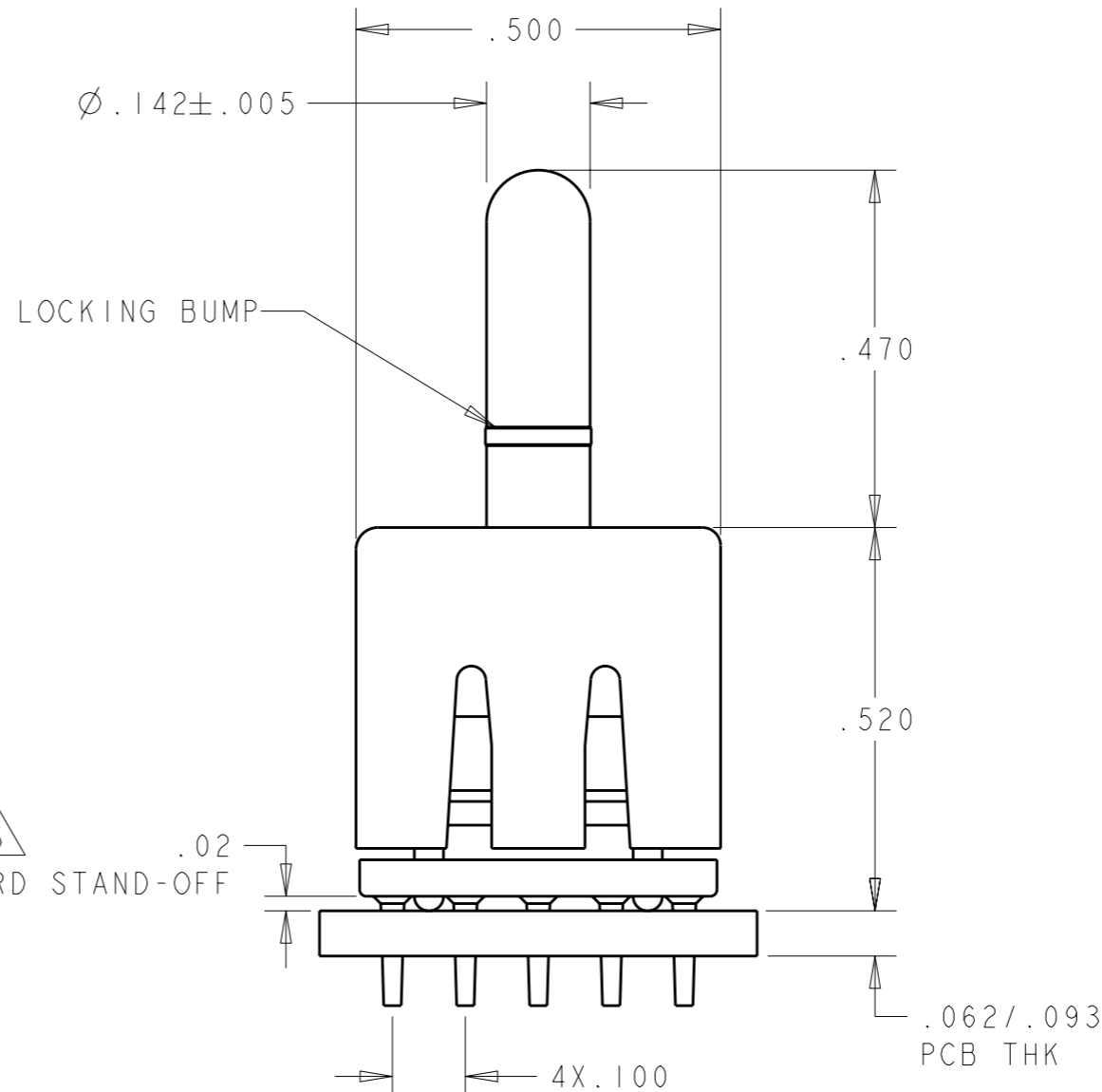


RECOMMENDED FOOTPRINT

- PART NUMBER CHANGES AND/OR DESIGN CHANGES AFFECTING ITEM INTERCHANGEABILITY REQUIRE PRIOR TYCO ELECTRONICS APPROVAL AND AUTHORIZATION BY REVISION TO THIS DRAWING.
- ITEM PROVIDED TO THIS SPECIFICATION SHALL BE IDENTIFIED ON CONTAINER WITH THE FOLLOWING INFORMATION, PART NUMBER AND DATE CODE OF MANUFACTURE.
- MATERIAL:  
INSULATOR - POLYESTER, GLASS FILLED, UL 94 V-0  
RATED COLOR: BLACK  
MODULE: ZINC ALLOY  
CROWN: COPPER ALLOY  
PIN CONTACT: BRASS ALLOY
- FINISH:  
MODULE-SILVER .0002 MIN THK OVER NICKEL .00005 MIN THK OVER COPPER .00001 MIN THK.  
CROWN- GOLD IN CONTACT AREA .00003 MIN THK. OVER NICKEL .00005 MIN THK.  
PIN CONTACT - SILVER PLATE .000200 MIN THK. OVER NICKEL .000040 MIN THK.

5 BOARD STAND-OFF

.02



5 A FIVE POUND (5lb) FORCE REQUIRED TO CORRECTLY SEAT THE CONNECTOR WITH THE PLATED THRU HOLES LESS THAN  $\phi .040$  INCH.

AS SHOWN	6643266-1
DESCRIPTION	PART NUMBER

THIS DRAWING IS A CONTROLLED DOCUMENT FOR TYCO ELECTRONICS CORPORATION IT IS SUBJECT TO CHANGE AND THE CONTROLLING ENGINEERING ORGANIZATION SHOULD BE CONTACTED FOR THE LATEST REVISION.		DWN 11JAN2011 LOVATO/GRZYBOWSKI		Tyco Electronics Harrisburg, PA 17105-3608	
DIMENSIONS: INCH		TOLERANCES UNLESS OTHERWISE SPECIFIED: 0 PLC $\pm .$ 1 PLC $\pm .$ 2 PLC $\pm .$ 3 PLC $\pm .020$ 4 PLC $\pm .$ ANGLES $\pm .5$		NAME CONNECTOR, PIN, PERPENDICULAR WITH THRU HOLE LOCKING STYLE, ICCON	
MATERIAL SEE LIST		FINISH -		SIZE CAGE CODE DRAWING NO RESTRICTED TO A300779 C-6643266 -	
CUSTOMER DRAWING				SCALE 4:1 SHEET OF REV B	