

回路番号1  
CIRCUIT No.1  
INDICATOR MARK

トレードマーク  
TRADE MARK

キャビティ番号  
CAVITY No.

CIRCUIT.No.2



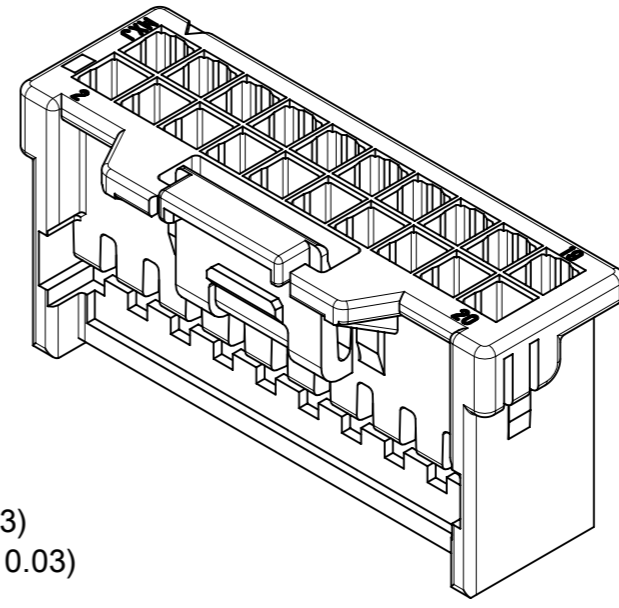
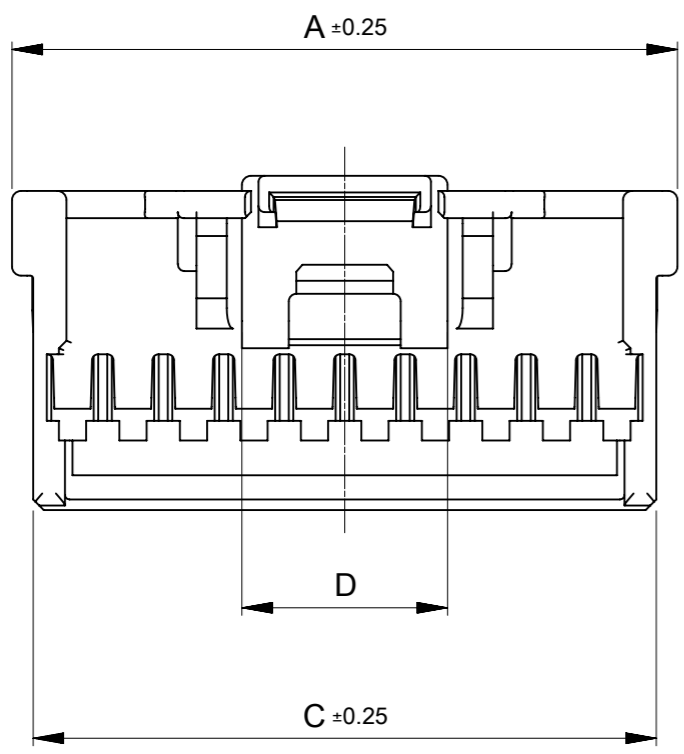
注記  
NOTES

- ① 材料: TABLE 1 参照  
MATERIAL : SEE TABLE 1
- ② 極数/2=偶数 となる極数に適用  
APPLY FOR CIRCUIT SIZE/2 = EVEN
- 3. 関連製品・書類はSHEET 2を参照ください  
REFER TO SHEET 2 ABOUT RELATED PRODUCTS AND DOCUMENTS.
- 4. オーダー番号(製品番号): SHEET 2の製品一覧を参照ください  
ORDER No. (PRODUCT No.) : REFER TO SHEET 2 FOR PRODUCT LIST.

**501646-\*\*0\***

極数  
CIRCUIT SIZE

|                           |
|---------------------------|
| ハウジングカラー<br>HOUSING COLOR |
| 0: ナチュラル NATURAL          |
| 1: 黒 BLACK                |
| 2: 赤 RED                  |
| 4: 青 BLUE                 |
| 6: 緑 GREEN                |



|     |      |    |    |                    |
|-----|------|----|----|--------------------|
| 6.8 | 40.6 | 38 | 42 | 40                 |
| 6.8 | 38.6 | 36 | 40 | 38                 |
| 6.8 | 36.6 | 34 | 38 | 36                 |
| 6.8 | 34.6 | 32 | 36 | 34                 |
| 6.8 | 32.6 | 30 | 34 | 32                 |
| 6.8 | 30.6 | 28 | 32 | 30                 |
| 6.8 | 28.6 | 26 | 30 | 28                 |
| 6.8 | 26.6 | 24 | 28 | 26                 |
| 6.8 | 24.6 | 22 | 26 | 24                 |
| 6.8 | 22.6 | 20 | 24 | 22                 |
| 6.8 | 20.6 | 18 | 22 | 20                 |
| 6.8 | 18.6 | 16 | 20 | 18                 |
| 6.8 | 16.6 | 14 | 18 | 16                 |
| 6.8 | 14.6 | 12 | 16 | 14                 |
| 6.8 | 12.6 | 10 | 14 | 12                 |
| 5.1 | 10.6 | 8  | 12 | 10                 |
| D   | C    | B  | A  | 極数<br>CIRCUIT SIZE |

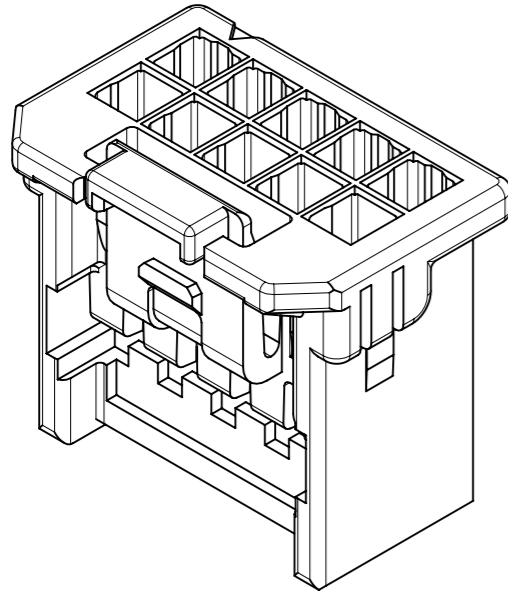
① TABLE 1

|                  |   |
|------------------|---|
| 部品<br>PART       | 材質<br>MATERIAL  |
| ハウジング<br>HOUSING | ポリアミド(PA)ガラス無し、UL94V-0、色: SEE CHART<br>POLYAMIDE(PA) UNFILLED, UL94V-0,COLOR: SEE CHART |

THIS DRAWING CONTAINS INFORMATION THAT IS PROPRIETARY TO MOLEX ELECTRONIC TECHNOLOGIES, LLC AND SHOULD NOT BE USED WITHOUT WRITTEN PERMISSION

|  |         |                              |         |   |                 |          |
|--|---------|------------------------------|---------|---|-----------------|----------|
| DIMENSION UNITS                                      | SCALE   | CURRENT REV DESC: REDRAWN    |         | <b>molex</b>                                  |                 |          |
| mm   | NTS     |                              |         |   |                 |          |
| GENERAL TOLERANCES (UNLESS SPECIFIED)                |         | EC NO: 711900                |         | IGRID 2.0 WIRE TO BOARD<br>RECEPTACLE HOUSING |                 |          |
| ANGULAR TOL  | ± 3.0 ° | DRWN: SNAKAMURA08 2017/09/25 |         | PRODUCT CUSTOMER DRAWING                      |                 |          |
| 4 PLACES   | ± 0.2   | CHK'D: KOMURAKAMI 2022/07/20 |         | DOCUMENT NUMBER                               |                 |          |
| 3 PLACES   | ± 0.2   | APPR: SAKIYAMA 2022/07/20    |         | 5016460000-SD                                 |                 |          |
| 2 PLACES   | ± 0.2   | INITIAL REVISION:            |         | DOC TYPE                                      | DOC PART        | REVISION |
| 1 PLACE  | ± 0.2   | DRWN: SNAKAMURA08 2017/09/25 |         | PSD   | 000             | A        |
| 0 PLACES   | ± 0.2   | APPR: SAKIYAMA 2022/07/20    |         | SHEET NUMBER                                  |                 |          |
| DRAFT WHERE APPLICABLE MUST REMAIN WITHIN DIMENSIONS |         | THIRD ANGLE PROJECTION       | DRAWING | SERIES  | MATERIAL NUMBER | CUSTOMER |
|  |         |                              | A3-SIZE | 501646  | SEE SHEET 2     | GENERAL  |

各極数毎の製品形状  
PRODUCT SHAPE AT EACH CIRCUIT



10, 12極形状  
VIEW OF 10, 12 CIRCUIT



14 ~ 40極形状  
VIEW OF 14 ~ 40 CIRCUIT

製品一覧  
PRODUCT LIST

| 緑: GREEN                                    | 青: BLUE     | 赤: RED      | 黒: BLACK    | ナチュラル<br>NATURAL | HOUSING COLOR      |
|---|-------------|-------------|-------------|------------------|--------------------|
| 501646 4006                                 | 501646 4004 | 501646 4002 | 501646 4001 | 501646 4000      | 40                 |
| ↑ 3806                                      | ↑ 3804      | ↑ 3802      | ↑ 3801      | ↑ 3800           | 38                 |
| 3606  | 3604        | 3602        | 3601        | 3600             | 36                 |
| 3406  | 3404        | 3402        | 3401        | 3400             | 34                 |
| 3206  | 3204        | 3202        | 3201        | 3200             | 32                 |
| 3006  | 3004        | 3002        | 3001        | 3000             | 30                 |
| 2806  | 2804        | 2802        | 2801        | 2800             | 28                 |
| 2606  | 2604        | 2602        | 2601        | 2600             | 26                 |
| 2406  | 2404        | 2402        | 2401        | 2400             | 24                 |
| 2206  | 2204        | 2202        | 2201        | 2200             | 22                 |
| 2006  | 2004        | 2002        | 2001        | 2000             | 20                 |
| 1806  | 1804        | 1802        | 1801        | 1800             | 18                 |
| 1606  | 1604        | 1602        | 1601        | 1600             | 16                 |
| 1406  | 1404        | 1402        | 1401        | 1400             | 14                 |
| ↓ 1206                                      | ↓ 1204      | ↓ 1202      | ↓ 1201      | ↓ 1200           | 12                 |
| 501646 1006                                 | 501646 1004 | 501646 1002 | 501646 1001 | 501645 1000      | 10                 |
| 発注番号 ORDER No.<br>PACKAGING STYLE : POLYBAG |             |             |             |                  | 極数<br>CIRCUIT SIZE |

適合製品及び各種仕様書  
APPLICABLE PRODUCTS AND VARIOUS SPECIFICATIONS

|  |                   |                      |                   |             |
|--|-------------------|----------------------|-------------------|-------------|
| 梱包仕様書<br>PACKING SPECIFICATION           | PART NUMBER       | SPECIFICATION NUMBER |                   |             |
|  | 501646 **0*       | 5016469200 PS 200    |                   |             |
| 適合圧着端子<br>APPLICABLE CRIMP TERMINAL      | PLATING TYPE      | PART NUMBER          | WIRE SIZE(AWG)    |             |
|  | TIN               | 5016471000           | #22 - #26         |             |
|  |                   | 5016481000           | #26 - #28         |             |
|  | GOLD              | 5030952201           | #22 - #24         |             |
| 5030952200                               |                   | #26 - #28            |                   |             |
| 適合嵌合相手<br>MATE WITH                      | TIN PLATING       |                      | GOLD PLATING      |             |
|  | VERTICAL          | RIGHT ANGLE          | VERTICAL          | RIGHT ANGLE |
| シリーズ番号 SERIES No.                        | 501645            | 501876               | 503091            | 208659      |
| 製品仕様書<br>PRODUCT SPECIFICATION           | PS-501646-001     |                      | 5016460000-PS 000 |             |
| アプリケーション仕様書<br>APPLICATION SPECIFICATION | 5016460000 PS A01 |                      |                   |             |

THIS DRAWING CONTAINS INFORMATION THAT IS PROPRIETARY TO MOLEX ELECTRONIC TECHNOLOGIES, LLC AND SHOULD NOT BE USED WITHOUT WRITTEN PERMISSION

|  |                |                              |         |                          |                 |          |              |   |
|--|----------------|------------------------------|---------|--------------------------|-----------------|----------|--------------|---|
| DIMENSION UNITS<br>mm                                      | SCALE<br>NTS   | CURRENT REV DESC: REDRAWN    |         | <b>molex</b>             |                 |          |              |   |
| GENERAL TOLERANCES<br>(UNLESS SPECIFIED)                   |                | EC NO: 711900                |         |                          |                 |          |              | IGRID 2.0 WIRE TO BOARD<br>RECEPTACLE HOUSING |
| ANGULAR TOL ± 3.0°   | 4 PLACES ± 0.2 | DRWN: SNAKAMURA08 2017/09/25 |         | PRODUCT CUSTOMER DRAWING |                 |          |              |   |
| 3 PLACES ± 0.2   | 2 PLACES ± 0.2 | CHK'D: KOMURAKAMI 2022/07/20 |         | DOCUMENT NUMBER          |                 |          |              |   |
| 2 PLACES ± 0.2   | 1 PLACE ± 0.2  | APPR: SAKIYAMA 2022/07/20    |         | 5016460000-SD            |                 | DOC TYPE | DOC PART     | REVISION                                      |
| 1 PLACE ± 0.2  | 0 PLACES ± 0.2 | INITIAL REVISION:            |         | 2017/09/25               |                 | PSD      | 000          | A   |
| DRAFT WHERE APPLICABLE<br>MUST REMAIN<br>WITHIN DIMENSIONS |                | THIRD ANGLE PROJECTION       | DRAWING | SERIES                   | MATERIAL NUMBER | CUSTOMER | SHEET NUMBER |   |
|  |                |                              | A3-SIZE | 501646                   | SEE TABLE       | GENERAL  | 2 OF 2       |   |