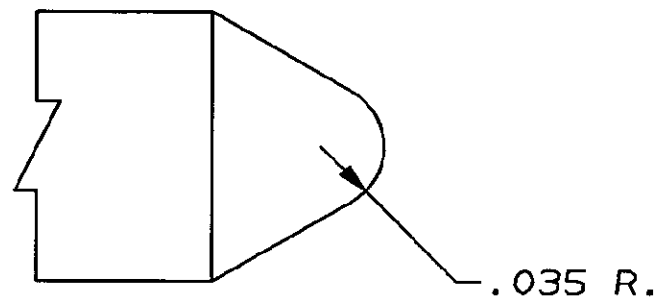


DRAWING MADE IN THIRD ANGLE PROJECTION

THIS DRAWING IS UNPUBLISHED. RELEASED FOR PUBLICATION ,19

© COPYRIGHT 19 BY AMP INCORPORATED. ALL INTERNATIONAL RIGHTS RESERVED.

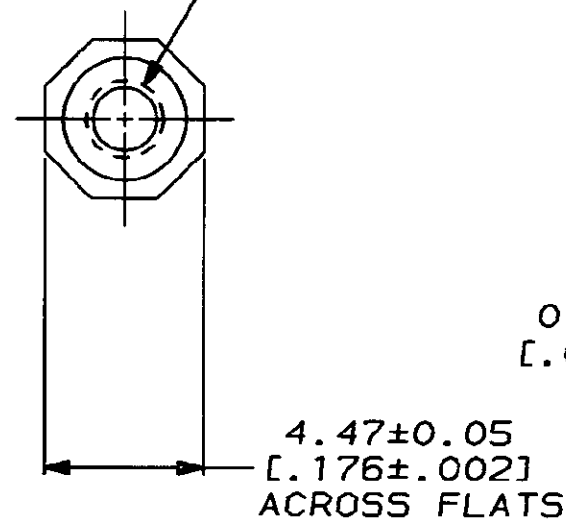
LOC	DIST	P	F	REVISIONS			DATE	APPD
				ZONE	LTR	DESCRIPTION		
AD	25			B	ECN AD	01/21/91	-	
				C	REV.PER ECN.AD6617	7/21/92	TH	



DETAIL Z
SCALE 10:1

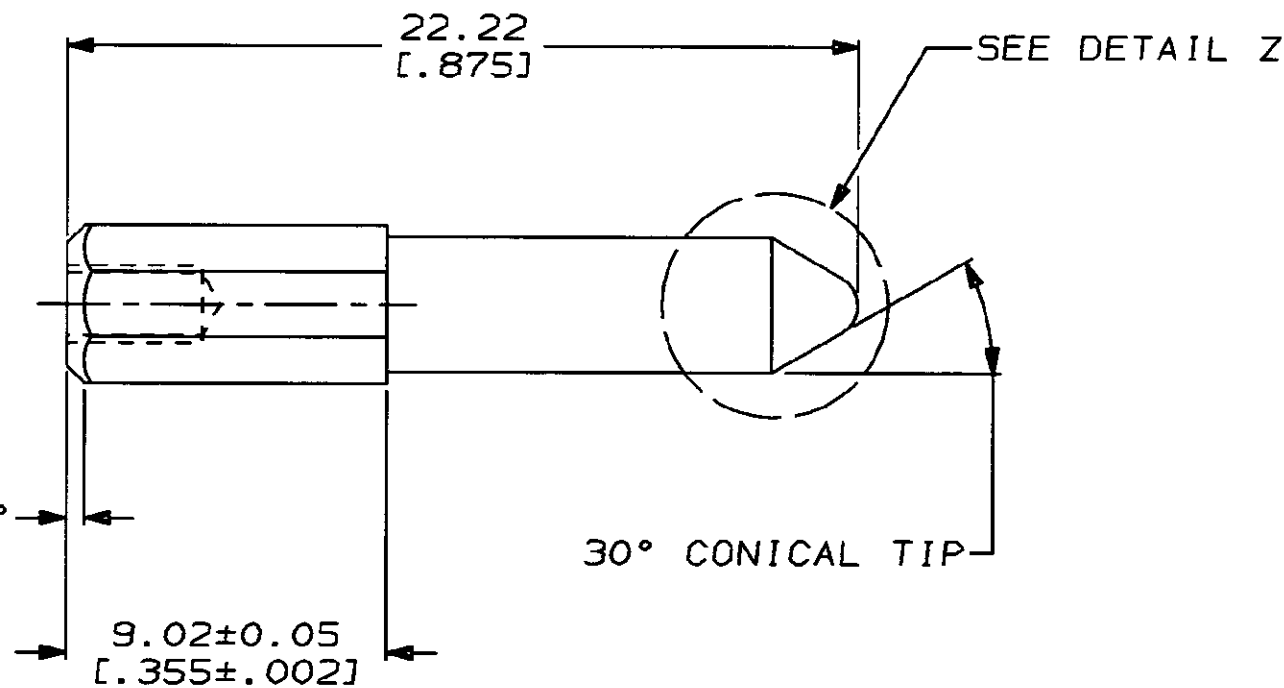
- ① MATERIAL: STAINLESS STEEL
- ② FINISH: PASSIVATED

#2-56 UNC-2B
x 3.8
[.15] DEEP



4.47±0.05
[.176±.002]
ACROSS FLATS

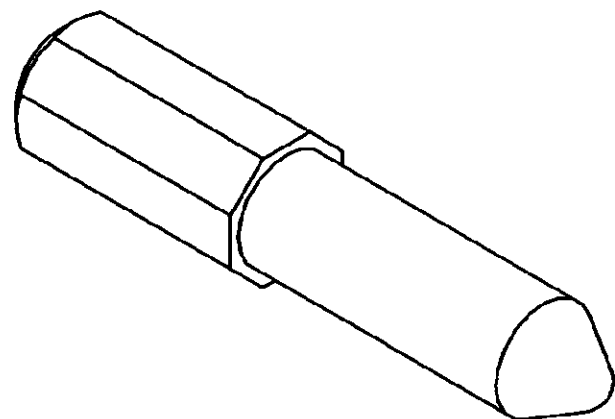
0.51
[.020] x 45°



30° CONICAL TIP

3.81±0.05
[.150±.002]

535840-2 IS AS SHOWN.



METRIC

DO NOT SCALE PRINT. UNLESS SPECIFIED DIMENSIONS IN mm (INCHES) TOLERANCES ON: 2 PLC DEC ± - 3 PLC DEC ± 0.13 [.005] ANGLES ± -		DR 01/21/91 R.K. SEIFRIED/UTA		PART NO	
MATERIAL		CHK 9/3/92 J.D. WEARY		AMP AMP Incorporated Harrisburg, PA 17105-3608	
FINISH		APPD 9/3/92 J.D. WEARY		NAME TBC PLUS, GUIDE PIN	
APPLIC SPEC		APPD 9/3/92 J.D. WEARY		SIZE	CAGE CODE
WEIGHT -		PRODUCT SPEC		B	00779
		DRAWING NO		SCALE	SHEET
		535840		5:1	1 OF 1