

# SMT Flyback Transformers

For National's 100kHz Simple Switcher™



- Designed for use with National's device numbers LM2585/86 and LM2587/88
- Performance verified by National Semiconductor

## Electrical Specifications @ 25°C - Operating Temperature -40°C to +130°C

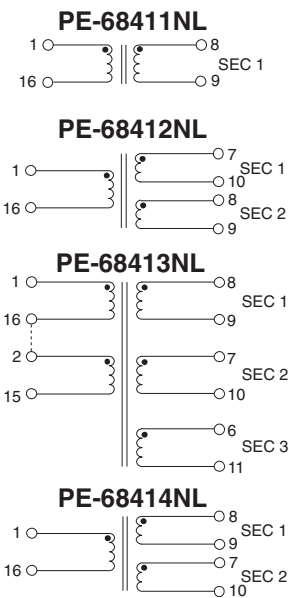
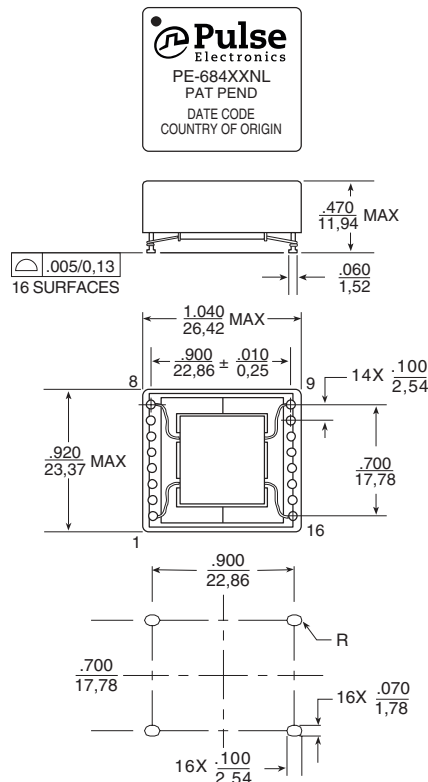
Part Number	LP (H NOM)	I <sub>IN</sub> (H NOM)	V <sub>IN</sub> (V <sub>DC</sub> )	V <sub>OUT 1</sub> (V <sub>DC</sub> )	V <sub>OUT 2</sub> (V <sub>DC</sub> )	V <sub>OUT 3</sub> (V <sub>DC</sub> )	I <sub>OUT 1</sub>	I <sub>OUT 2</sub>	I <sub>OUT 3</sub>	Turns Ratio	DCR Primary (MAX)	DCR Sec 1 (Ω MAX)	DCR Sec 2 (Ω MAX)	DCR Sec 3 (Ω MAX)
PE-68411NL	22	4.85	4-6	3.3	—	—	1.8	—	—	1:1	0.04	0.04	—	—
			4-6	5	—	—	1.4	—	—					
			8-16	12	—	—	1.2	—	—					
PE-68412NL	22	5.00	4-6	12	-12	—	0.3	0.3	—	1:2.5:2.5	0.04	0.5	0.5	—
PE-68413NL	66	2.99	18-36	5	12	-12	1.8	0.25	0.25	1:0.5:1.15:1.15	0.03	0.80	0.80	0.80
PE-68414NL	65	2.98	18-36	12	-12	—	0.63	0.63	—	1:1.2:1.2	0.25	0.25	0.25	—
PE-68421NL	85	4.90	18-36	12	-12	—	1	1	—	1:0.8:0.8	0.22	0.22	0.22	—
PE-68422NL	85	4.92	18-36	5	12	-12	2.5	0.5	0.5	1:0.35:0.8:0.8	0.025	0.25	0.25	0.25

Notes: Simple Switcher™ is a trademark of National Semiconductor Corporation

## Mechanical

## Schematic

PE-68411NL, PE-68412NL, PE-68413NL, PE68414NL



Dimensions: Inches / mm

Unless otherwise specified, all tolerances are ± .010 / 0.25

USA 858 674 8100

Germany 49 7032 7806 0

Singapore 65 6287 8998

Shanghai 86 21 62787060

China 86 755 33966678

Taiwan 886 3 4356768

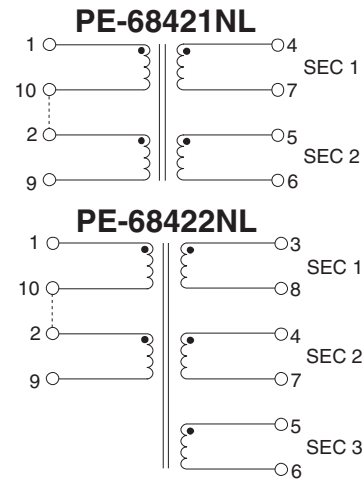
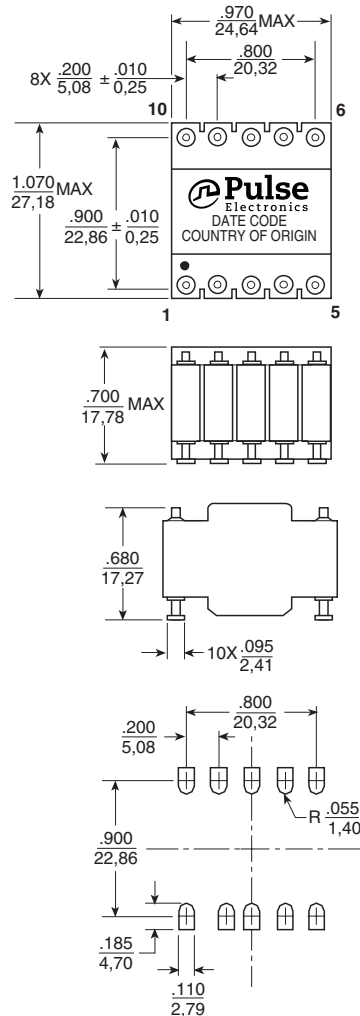
# SMT Flyback Transformers

For National's 100kHz Simple Switcher™

## Mechanical (continued)

## Schematic

PE-68421NL, PE-68422NL



Dimensions:  $\frac{\text{Inches}}{\text{mm}}$

Unless otherwise specified, all tolerances are  $\pm \frac{.010}{0,25}$

## For More Information

**Pulse Worldwide Headquarters**  
12220 World Trade Drive  
San Diego, CA  
92128  
U.S.A.

**Pulse Europe**  
Einsteinstrasse 1  
D-71083 Herrenberg  
Germany

**Pulse China Headquarters**  
B402, Shenzhen Academy of  
Aerospace Technol-  
ogy Bldg.  
10th Kejian Road  
High-Tech Zone  
Nanshan District  
Shenzhen, PR China  
518057  
Tel: 86 755 33966678  
Fax: 86 755 33966700

**Pulse North China**  
Room 2704/2705  
Super Ocean Finance  
Ctr.  
2067 Yan An Road  
West  
Shanghai 200336  
China  
Tel: 86 21 62787060  
Fax: 86 2162786973

**Pulse South Asia**  
135 Joo Seng Road  
#03-02  
PM Industrial Bldg.  
Singapore 368363  
Tel: 65 6287 8998  
Fax: 65 6287 8998

**Pulse North Asia**  
3F, No. 198  
Zhongyuan Road  
Zhongli City  
Taoyuan County 320  
Taiwan R. O. C.  
Tel: 886 3 4356768  
Fax: 886 3 4356823 (Pulse)  
Fax: 886 3 4356820 (FRE)

Performance warranty of products offered on this data sheet is limited to the parameters specified. Data is subject to change without notice. Other brand and product names mentioned herein may be trademarks or registered trademarks of their respective owners. © Copyright, 2015, Pulse Electronics, Inc. All rights reserved.