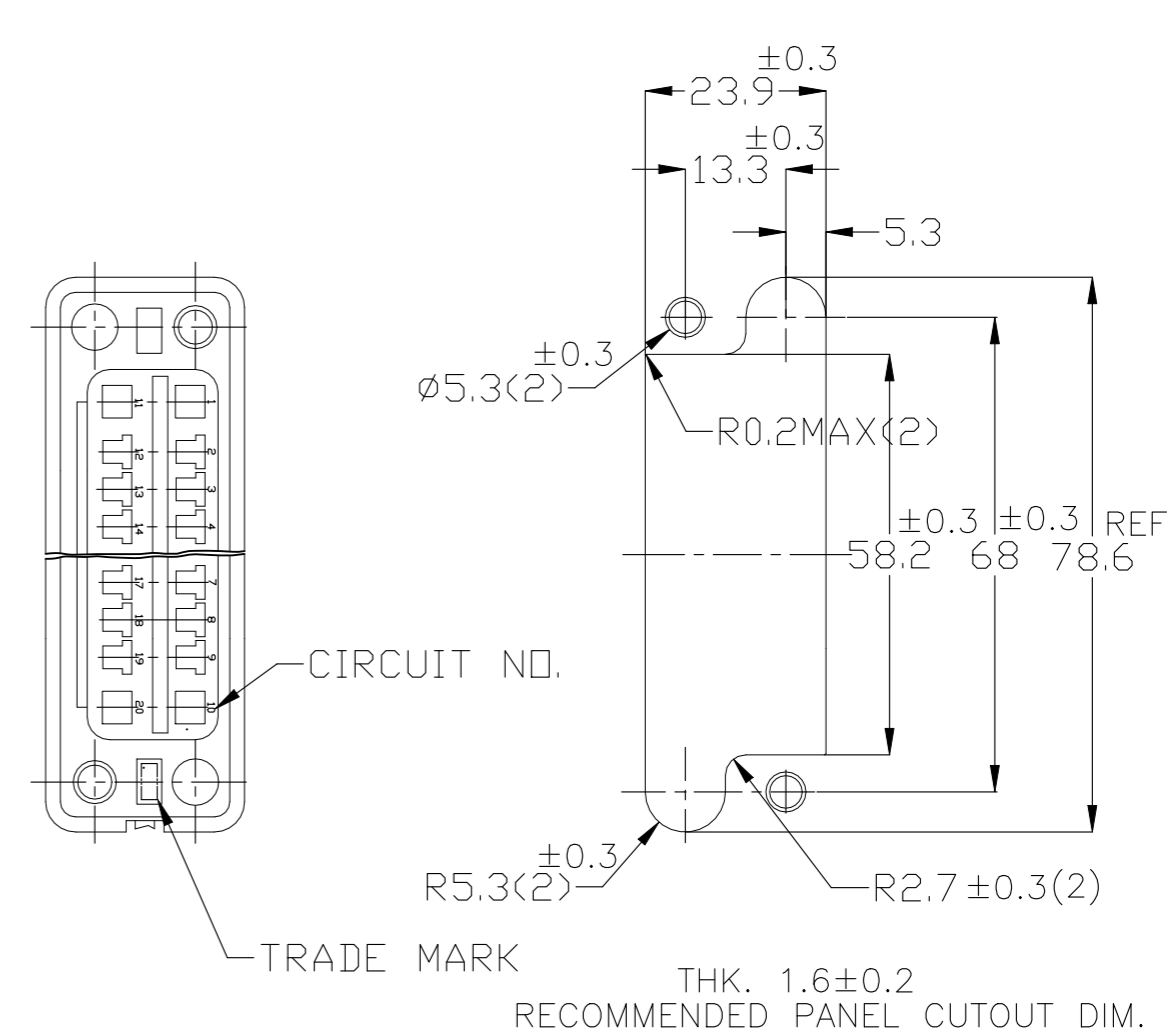
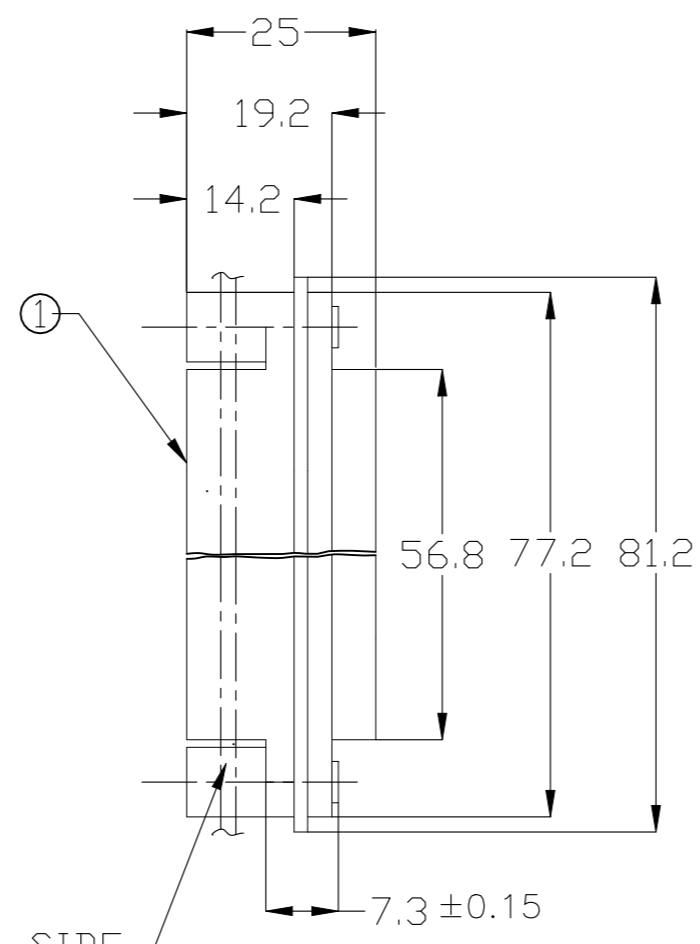
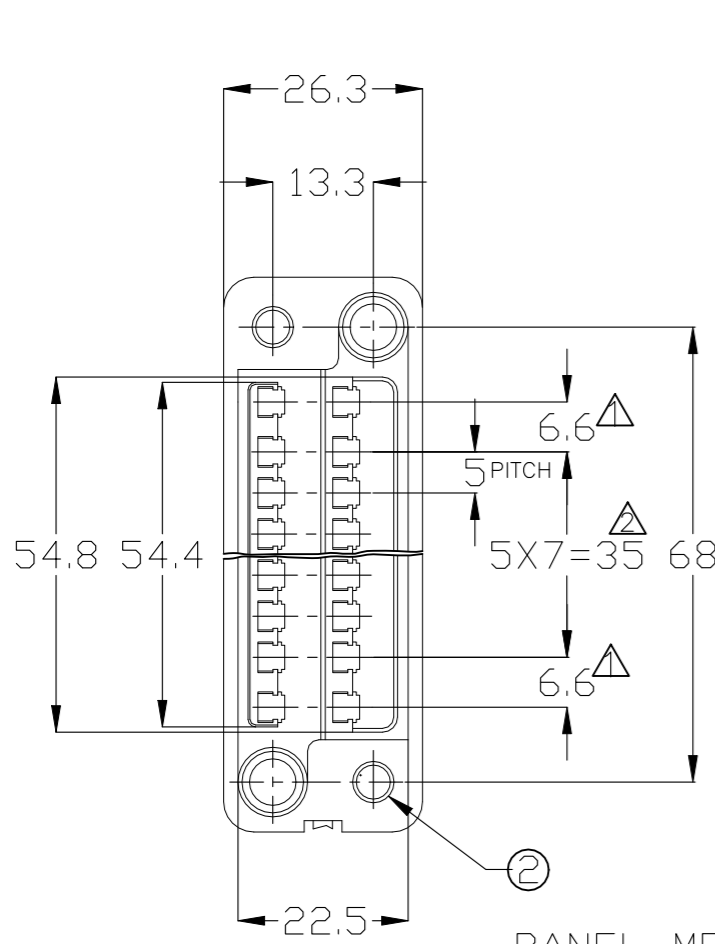


REVISIONS					
P	LTR	DESCRIPTION	DATE	DWN	APVD
	A1	RELEASED ECR-21-001336	05FEB2021	J.J	N.S



NOTES:

- ▲ FOR POWER CIRCUITS (4 POS.)
- ▲ FOR SIGNAL CIRCUITS (16 POS.)
- 3. ACCOMMODATED CONTACTS ARE STRIP P/N 170311, 170312, 170484 L.P P/N 170313, 170314, 170485
- 4. MAIL HSG P/N IS 1703032
- ▲ MATERIAL:
HOUSING: PBT 94V-0
BUSH: PB FREE METAL
- ▲ FINISH:
NICKEL PLATED PER AMP SPEC 112-25.

2	1-172065-3	FLOATING BUSH ASS'Y	- (4mm)	2
1	173031-3	DRAWER CONN. FEMAL HSG	20 POS. (4mm)	1
-3	NUMBER	NAME	REMARKS	ITEM No.

THIS DRAWING IS A CONTROLLED DOCUMENT.		DWN C.ZHU 21JUL05	STE TE Connectivity														
DIMENSIONS: mm		CHK I.WANG 21JUL05															
TOLERANCES UNLESS OTHERWISE SPECIFIED:		APVD S.YAO 21JUL05	NAME 20POS FEMALE HSG ASS'Y DRAWER CONNECTOR														
<table border="1"> <tr><td>0 PLC</td><td>± 0.4</td></tr> <tr><td>1 PLC</td><td>± 0.4</td></tr> <tr><td>2 PLC</td><td>± 0.4</td></tr> <tr><td>3 PLC</td><td>± 0.4</td></tr> <tr><td>4 PLC</td><td>± 0.4</td></tr> <tr><td>ANGLES</td><td>± -</td></tr> </table>		0 PLC	± 0.4	1 PLC	± 0.4	2 PLC	± 0.4	3 PLC	± 0.4	4 PLC	± 0.4	ANGLES	± -	PRODUCT SPEC -	APPLICATION SPEC -		
0 PLC	± 0.4																
1 PLC	± 0.4																
2 PLC	± 0.4																
3 PLC	± 0.4																
4 PLC	± 0.4																
ANGLES	± -																
MATERIAL ▲		FINISH ▲	SIZE A3	CAGE CODE 00779	DRAWING NO C-5173033												
CUSTOMER DRAWING			WEIGHT 0.000000	RESTRICTED TO -	SCALE 1:1												
			SHEET 1 OF 1	REV A1													