

## 20/12 mm Center Space Encoders

Type: **EVQV6**



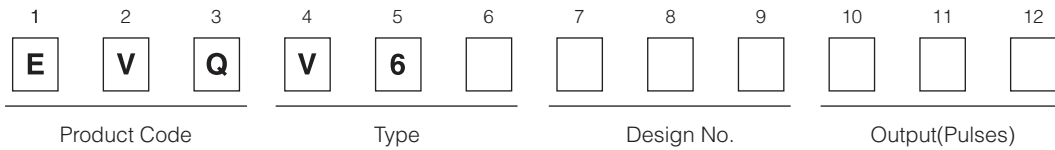
### ■ Features

- Multiple unit construction (achieved by mounting switches, LEDs, etc.) (center space) on the printed wiring board
- Good operability and high reliability

### ■ Recommended Applications

- Car audio products (adjustment of volume, tone, tuners, etc.)
- AV equipment (control of edit functions of VCRs, CD players, etc.)

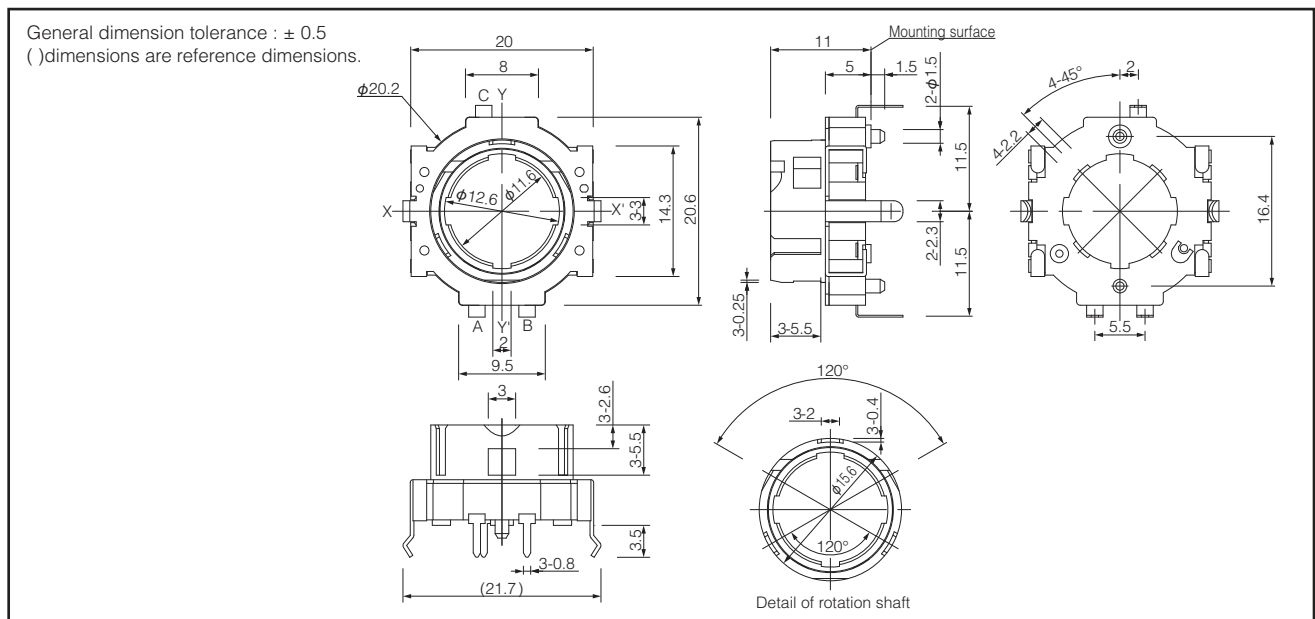
### ■ Explanation of Part Numbers



### ■ Specifications

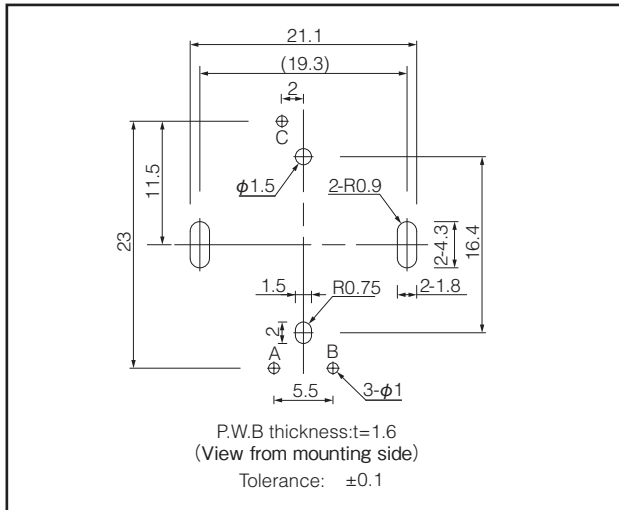
Mechanical	Rotation Angle	360 ° (Endless)
	Rotation Torque (Detents Torque)	7 mN·m, 11 mN·m, 18 mN·m
	Detents	18 points, 30 points
Electrical	Output Signal	Phase A and B
	Resolution	9 pulses/360 °, 15 pulses/360 °
	Rating	1 mA 10 V DC
	Contact Resistance	1 Ω max.
	Chattering	5 ms max.
	Insulation Resistance	50 mΩ min. (at 250 V DC)
Endurance	Dielectric Withstanding Voltage	300 VAC for 1 minute
	Rotation Life	30,000 cycles min.
Minimum Quantity/Packing Unit		100 pcs. (Tray Pack)
Quantity/Carton		2,000 pcs.

### ■ Dimensions in mm (not to scale)

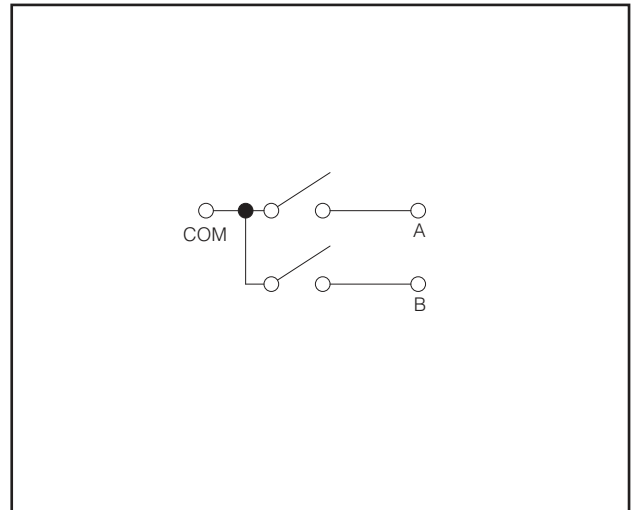


Design and specifications are each subject to change without notice. Ask factory for the current technical specifications before purchase and/or use.  
Should a safety concern arise regarding this product, please be sure to contact us immediately.

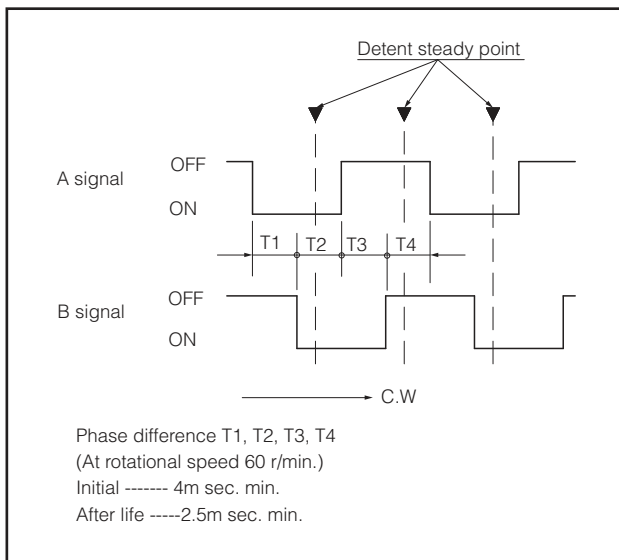
### ■ PWB mounting hole for reference



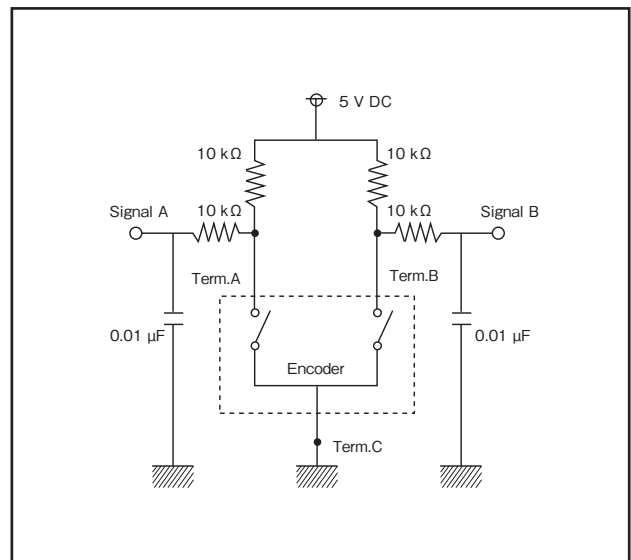
### ■ Circuit Diagram



### ■ Phase Difference



### ■ Test Circuit Diagram



Design and specifications are each subject to change without notice. Ask factory for the current technical specifications before purchase and/or use.  
Should a safety concern arise regarding this product, please be sure to contact us immediately.