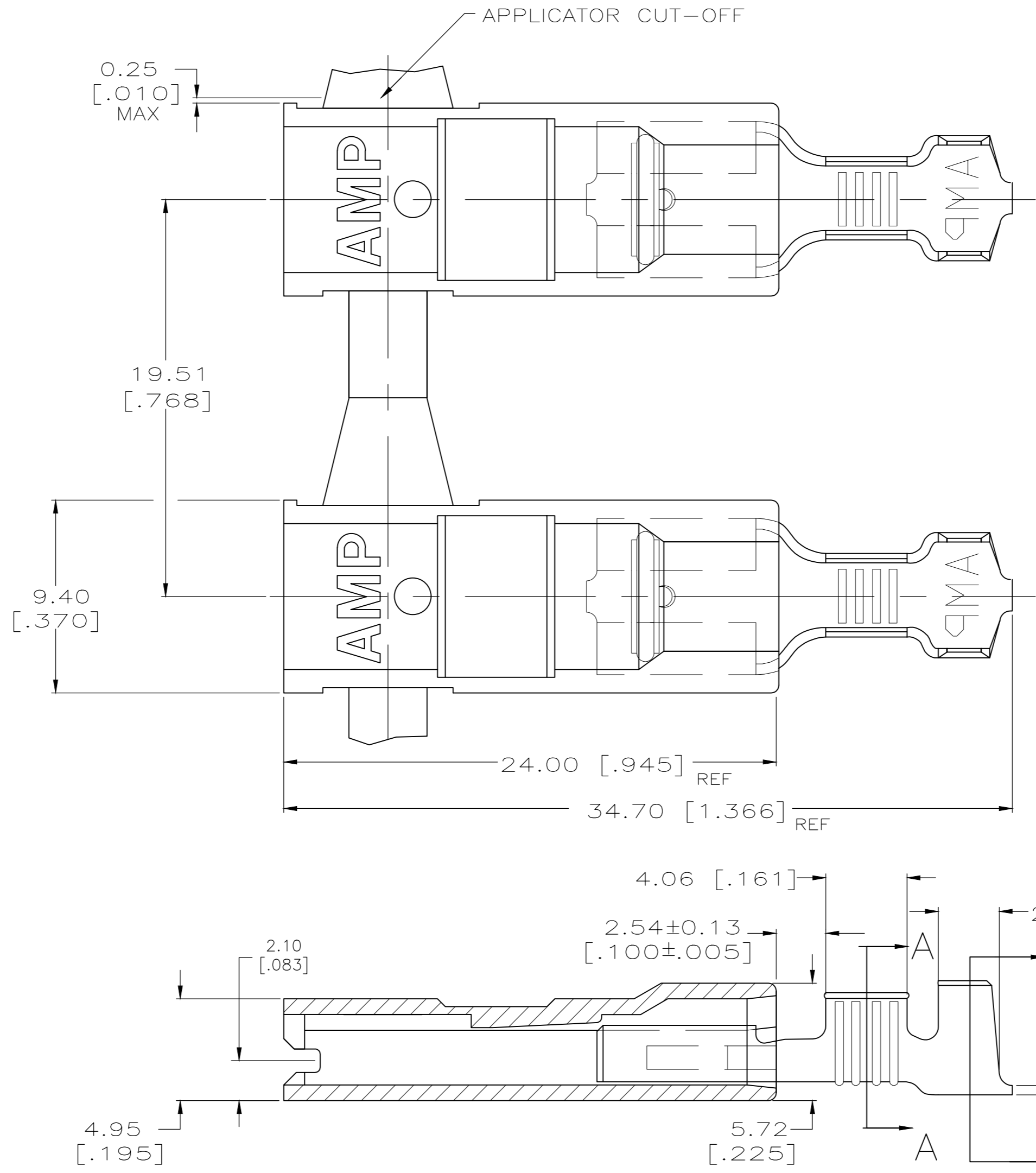


THIS DRAWING IS UNPUBLISHED. RELEASED FOR PUBLICATION
 © COPYRIGHT - TE Connectivity Ltd. ALL RIGHTS RESERVED.

REVISIONS				
P	LTR	DESCRIPTION	DATE	APVD
B6		REVISED PER ECO-18-007670	16MAY2018	RS DS



- BUDGET FASTON TERMINALS, BASE P/N 63884, ARE USED IN THIS PRODUCT.
- WIRE SIZE 0.8-2.0mm [18-14] AWG
- INSULATION RANGE IS 2.79-4.32 [.110-.170] DIA.
- MATING TAB THK IS 0.813 ± 0.025 [.032 ± .001].
- OFFERED FOR CONSIDERATION IN APPLICATIONS REQUIRING "NON-DRIP" HOUSING MATERIAL.

- △ OBSOLETE PARTS
- △ AGENCY APPROVAL IS PENDING.

△ 7	-	MATERIAL: 4M BRASS FINISH: PLAIN	66 NYLON V0 NATURAL	521848-3
△ 6	STANDARD	MATERIAL: 4M BRASS FINISH: 0.002032 [.000080] MIN TIN	VO, NYLON 66, NATURAL (WHITE)	521848-2
	STANDARD	MATERIAL: 4M BRASS FINISH: PLAIN		521848-1
	PACKAGING	TERMINAL	HOUSING	PART NO.
THIS DRAWING IS A CONTROLLED DOCUMENT.		DWN JR RUTH 15SEP05	TE Connectivity Ltd.	
DIMENSIONS: mm [INCHES]		CHK G PORTA 15SEP05		
TOLERANCES UNLESS OTHERWISE SPECIFIED:		APVD G PORTA 15SEP05	NAME	
0 PLC ± -		PRODUCT SPEC	ASSEMBLY, ULTRA-POD, RECEPTACLE, 6.35 [.250] SERIES	
1 PLC ± -		APPLICATION SPEC	-	
2 PLC ± -		108-1285	SIZE	CAGE CODE
3 PLC ± 0.25 [.010]		114-2124	A2	00779
4 PLC ± -		WEIGHT	DRAWING NO	
ANGLES ± -		0	C=521848	
FINISH		CUSTOMER DRAWING	SCALE	SHEET
SEE TABLE			5:1	1 of 1
			REV	B6