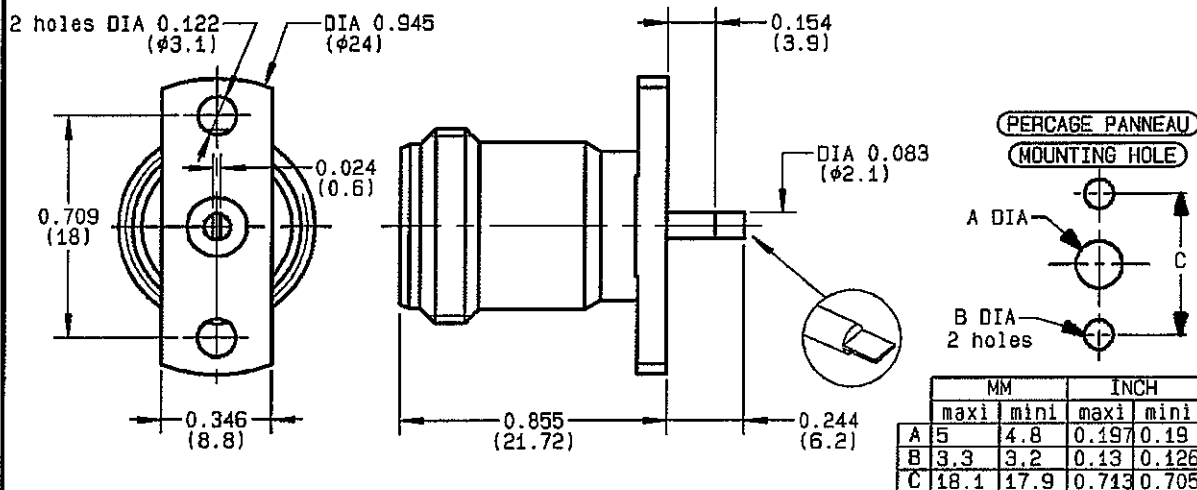


**2 HOLES FLANGE JACK RECEPTACLE
WITH TAB CONTACT**

R161.461.000

SERIES

N



| | |
|---------------------------------|----------------------------------|
| NOMINAL IMPEDANCE | 50 Ω |
| FREQUENCY RANGE | 0-11 GHz |
| TEMPERATURE RATING | -55/+155 °C |
| V.S.W.R | 1.04 + 0.035 x F(GHz)Maxi |
| RF INSERTION LOSS | 0.06 √F(GHz) dB Maxi |
| VOLTAGE RATING | 1400 Veff Maxi |
| DIELECTRIC WITHSTANDING VOLTAGE | 2500 Veff Mini |
| INSULATION RESISTANCE | 5000 MΩMini |
| HERMETIC SEAL | NA Atm.cm ³ /s |
| LEAKAGE (pressurized only) | NA |
| MECHANICAL DURABILITY | 500 Cycles |
| WEIGHT | 18.7 gr |
| SPECIFICATION | |

| | |
|----------------------------|------------------------|
| CABLES : | |
| OTHERS CHARACTERISTICS | isolant Ø 200.5 |
| CABLE RETENTION | NA N Mini |
| CENTER CONTACT RETENTION | |
| Axial force - mating end | 27 N Mini |
| Axial force - opposite end | 27 N Mini |
| Torque | NA cm.N Mini |
| RECOMMENDED TORQUES | |
| Mating | NA cm.N |
| Panel nut | NA cm.N |
| Clamp nut | NA cm.N |

| | | | |
|------------------|--------------------------------|------------------------|---------------------------------------|
| CONNECTOR PARTS: | MATERIALS | FINISH | (all values are given in micrometers) |
| BODY | BRASS | BBR 2 | |
| OUTER CONTACT | BRASS | BBR 2 | |
| CENTER CONTACT | BERYLLIUM COPPER | GOLD 0.5 OVER NICKEL 2 | |
| INSULATOR | CROSS-LINKED STYRENE COPOLYMER | | |
| GASKET | | | |
| OTHERS PIECES | | | |

BONDMINI

| | | |
|-----------------|-------------------|------------------|
| ISSUE | CREATION DATE | FILE PART-NUMBER |
| 0523 F00 | 24/03/1993 | |



RADIALL®

The information given here is subject to change without notice. Design changes may be in order to improve the product.

Connect to the future