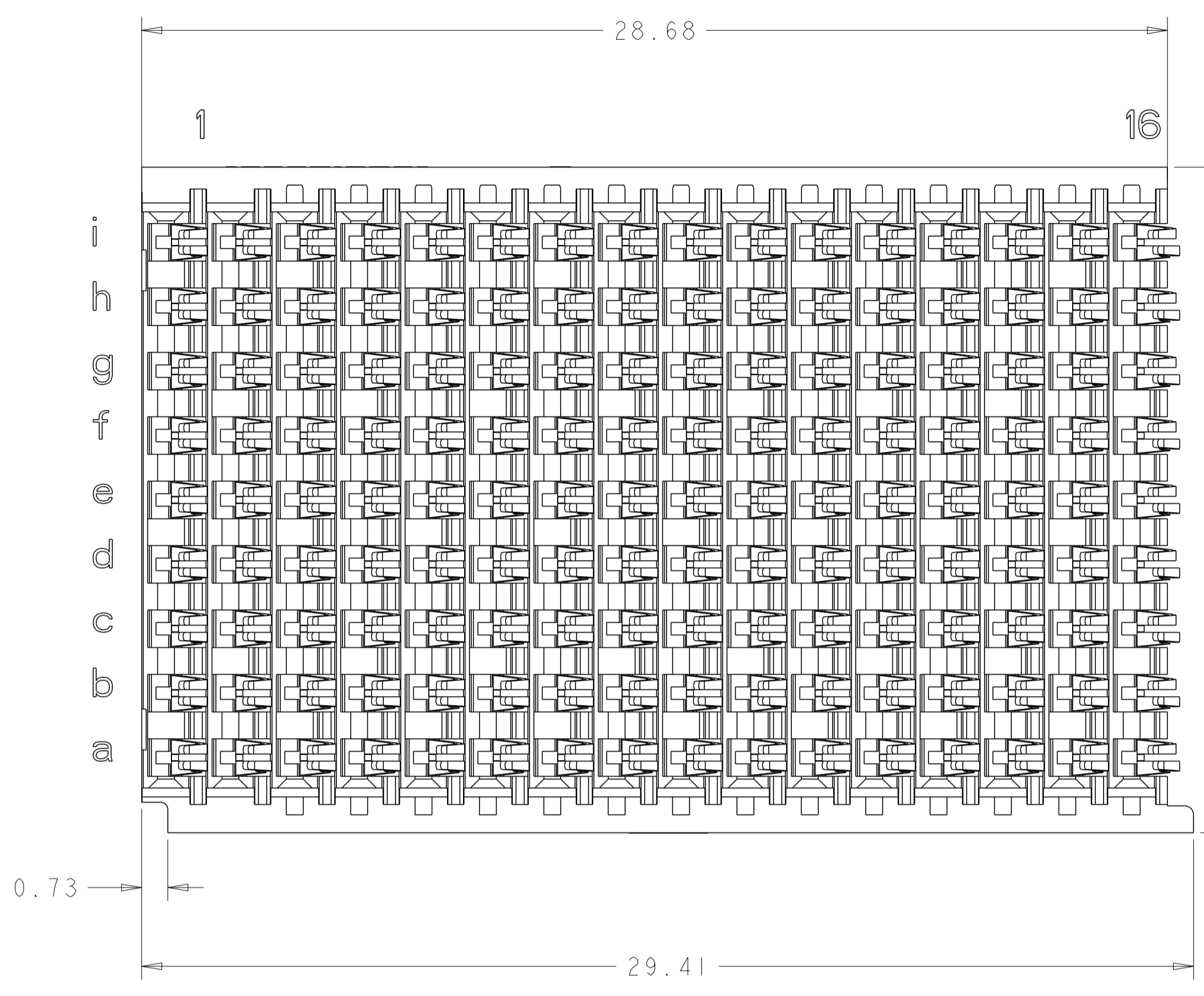
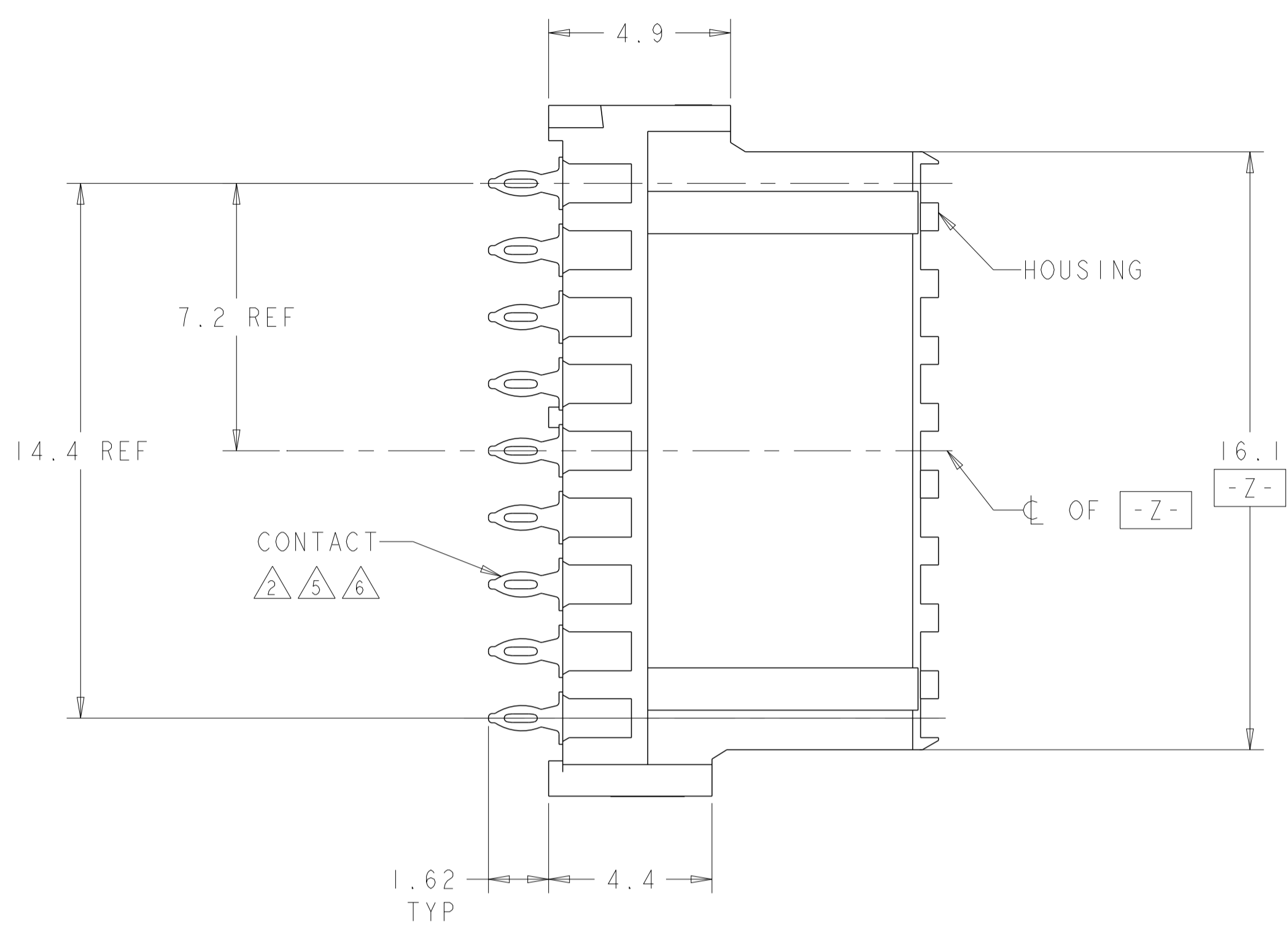
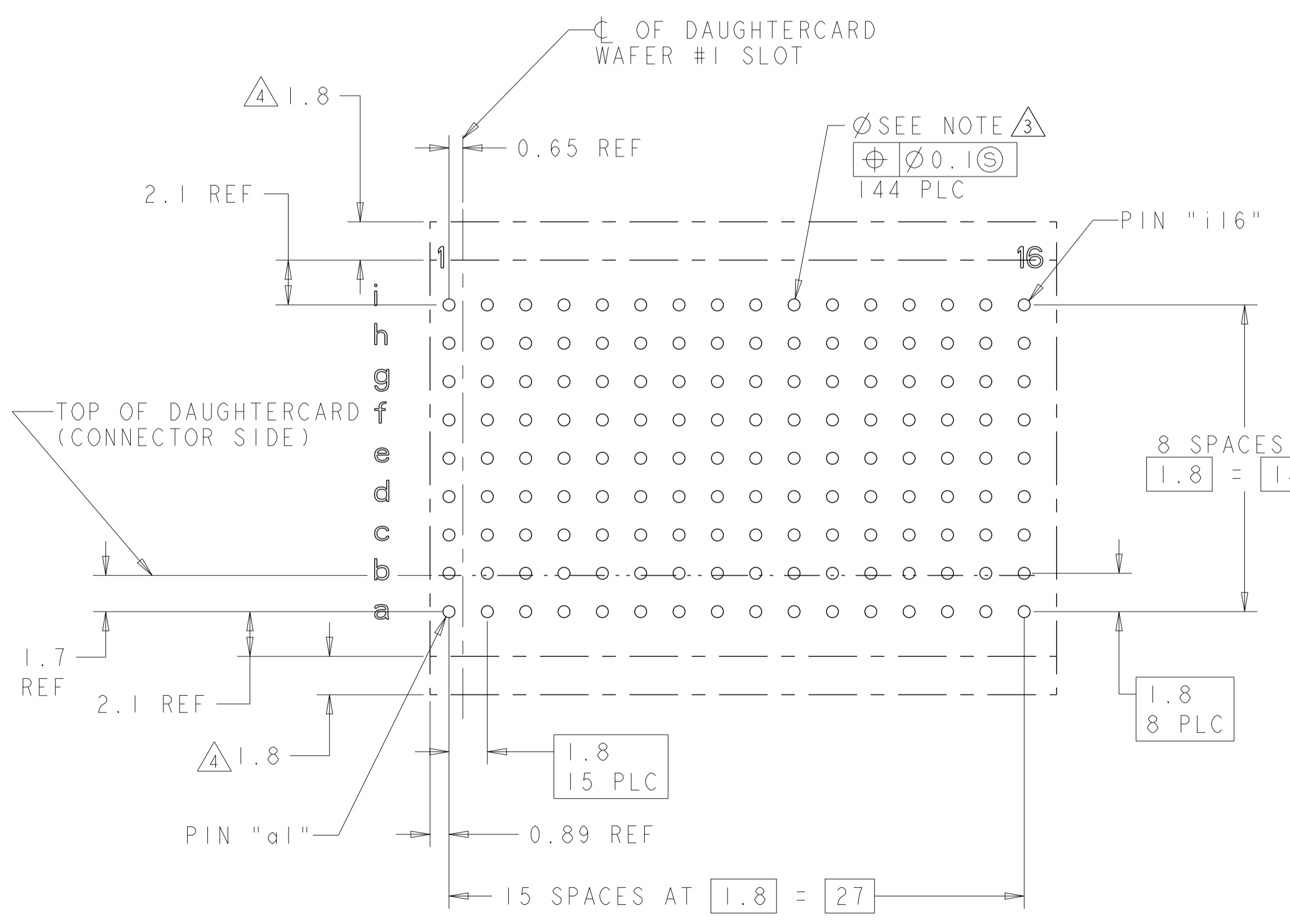


LOC		DIST		REVISIONS			
P	LTN	DESCRIPTION	DATE	DWN	APVD		
B		RELEASED PER ECO-13-004502	12MAR2013	KM	DH		
C		REVISED PER ECO-13-008265	20MAY2013	DB	DH		
D		REVISED PER ECN-21-117413	17SEP2021	JAB	DH		
E		REVISED PER ECN-22-133970	28JAN2022	JAB	DH		

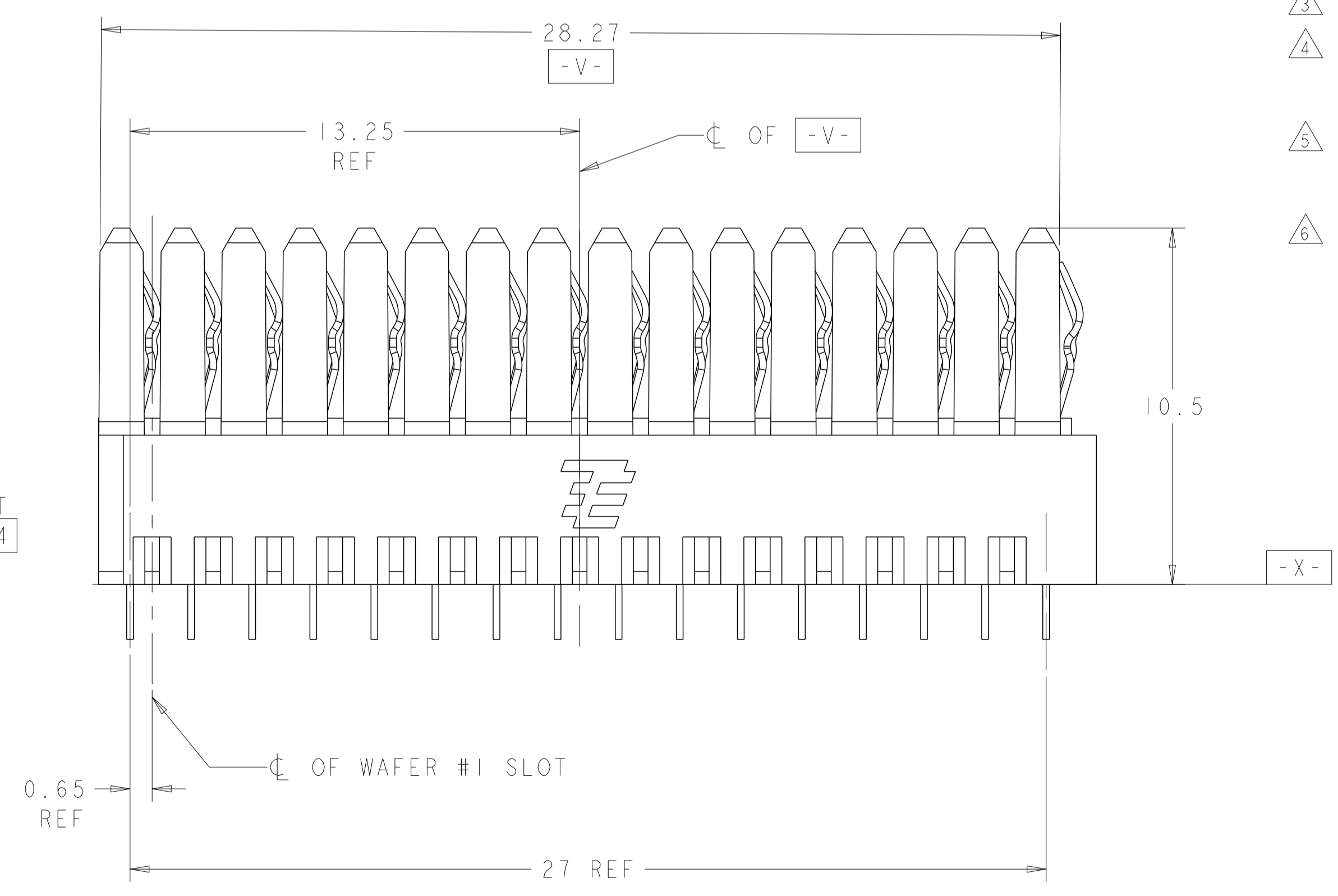


$\text{M} \text{ } \text{0.2} \text{ } \text{S} \text{ } \text{X} \text{ } \text{V} \text{ } \text{S} \text{ } \text{Z} \text{ } \text{S}$

- ① HOUSING: LCP, UL94V0, COLOR: BLACK.
CONTACT: PHOSPHOR BRONZE.
- ② FINISH: 1.27μm GOLD IN CONTACT AREA 1.27μm MIN. TIN-LEAD (93/7) ON PCB TAIL OVER 2.54μm MIN. NICKEL OVER ALL.
- ③ PLATED THROUGH HOLE PER 114-13056, FIGURE 4
- ④ ADDITIONAL CONNECTOR-SIDE KEYPOT AREA REQUIRED IF CONNECTOR-SIDE EXTRACTION TOOL IS TO BE USED.
- ⑤ FINISH: 1.27μm MIN GOLD IN CONTACT AREA, 0.50μm MIN TIN ON PCB TAIL OVER 2.54μm MIN. NICKEL OVER ALL.
- ⑥ FINISH: 1.27μm GOLD IN CONTACT AREA 1.27μm MIN. TIN-LEAD (60/40) ON PCB TAIL OVER 2.54μm MIN. NICKEL OVER ALL.



PC BOARD LAYOUT
 (CONNECTOR SIDE)
 (SEE SHEET 2 FOR RTM)
 SCALE 5:1

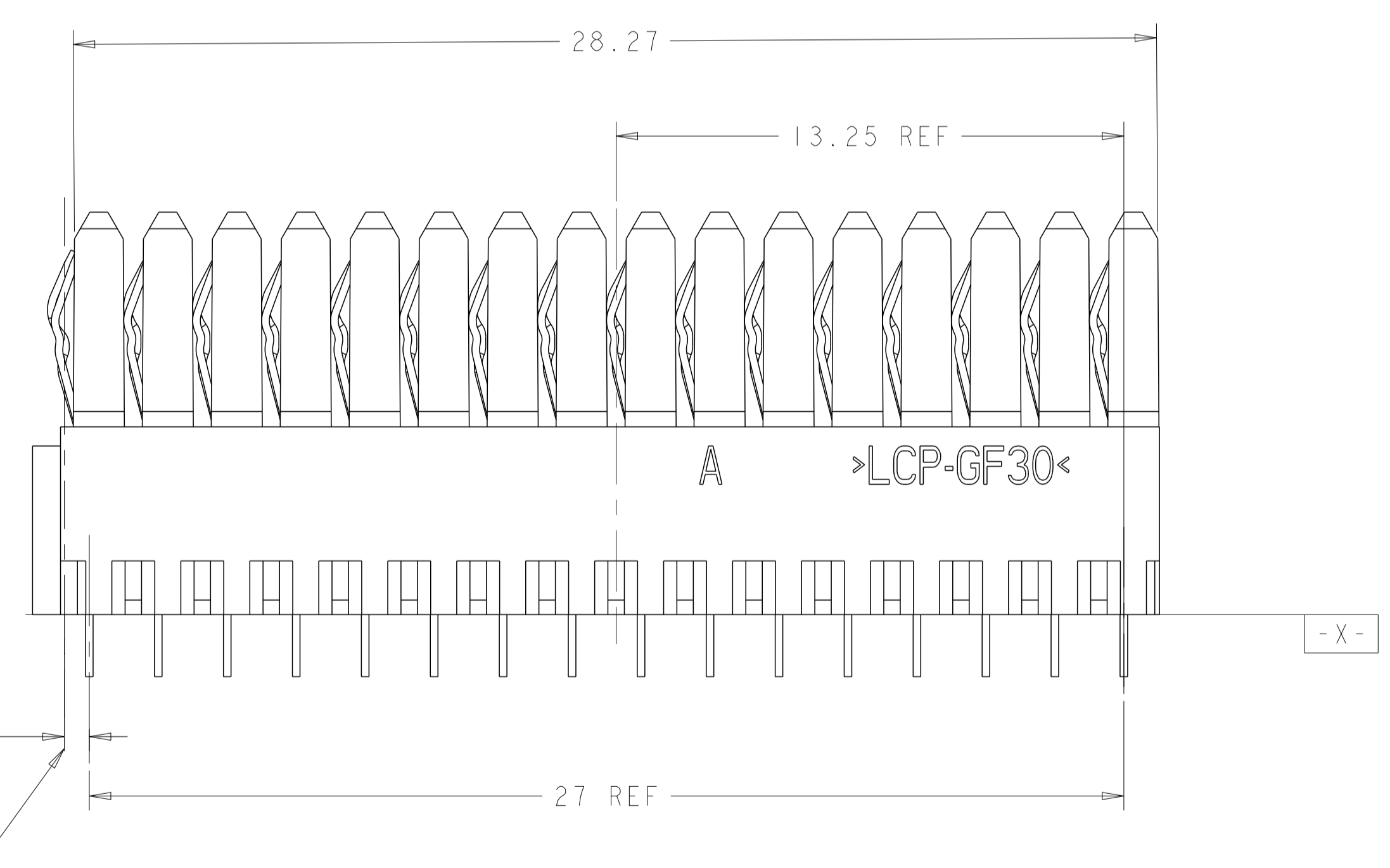
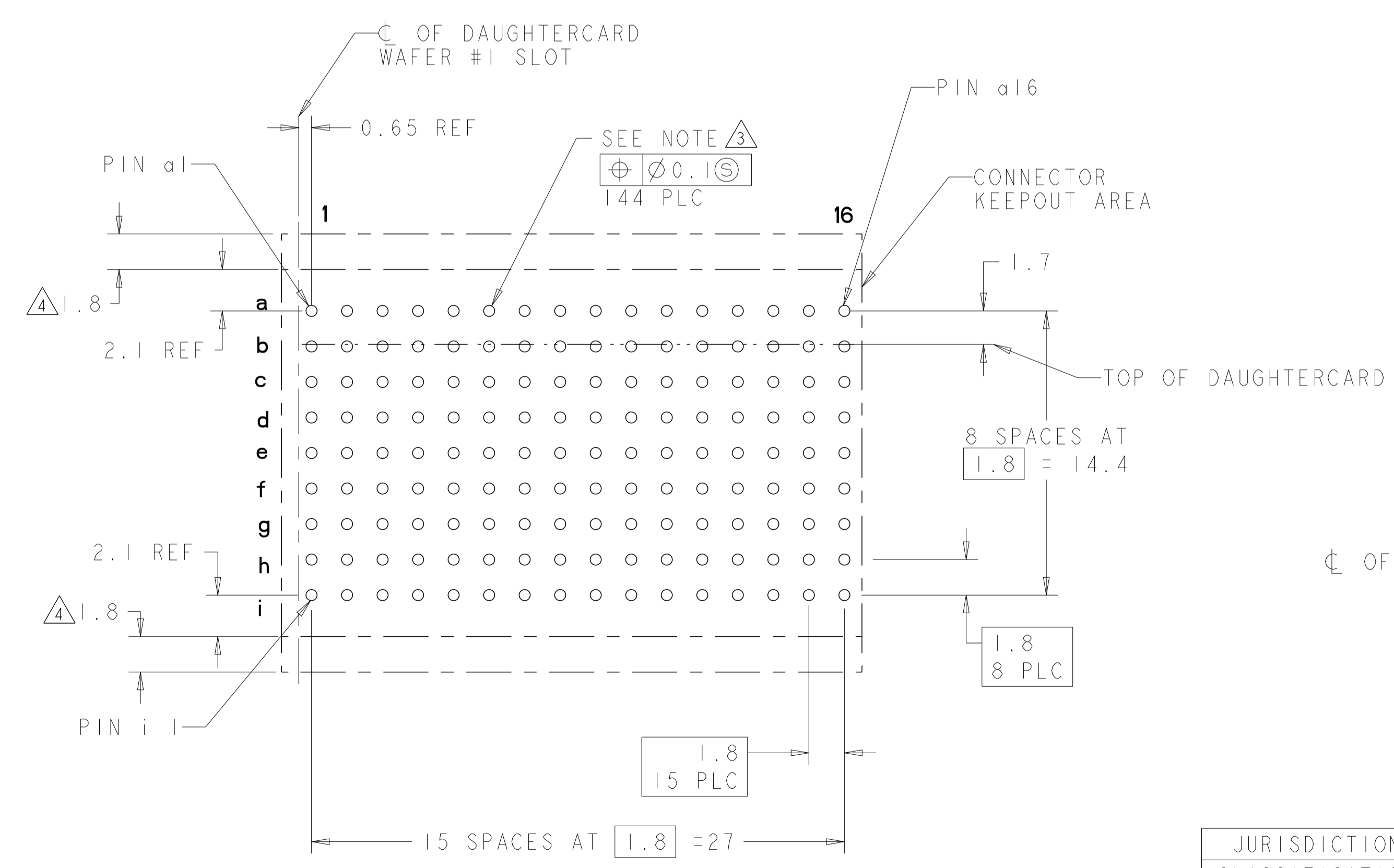
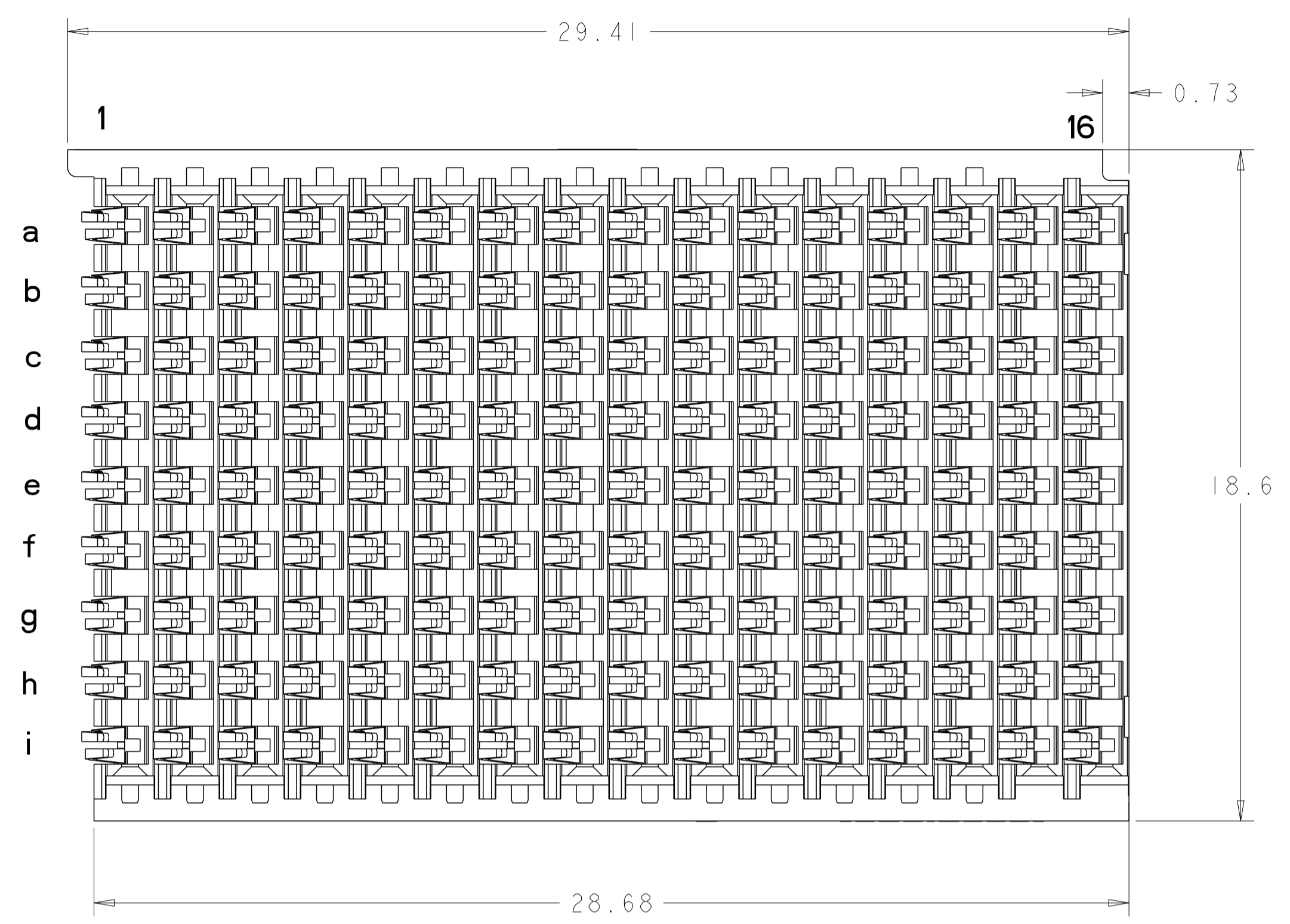
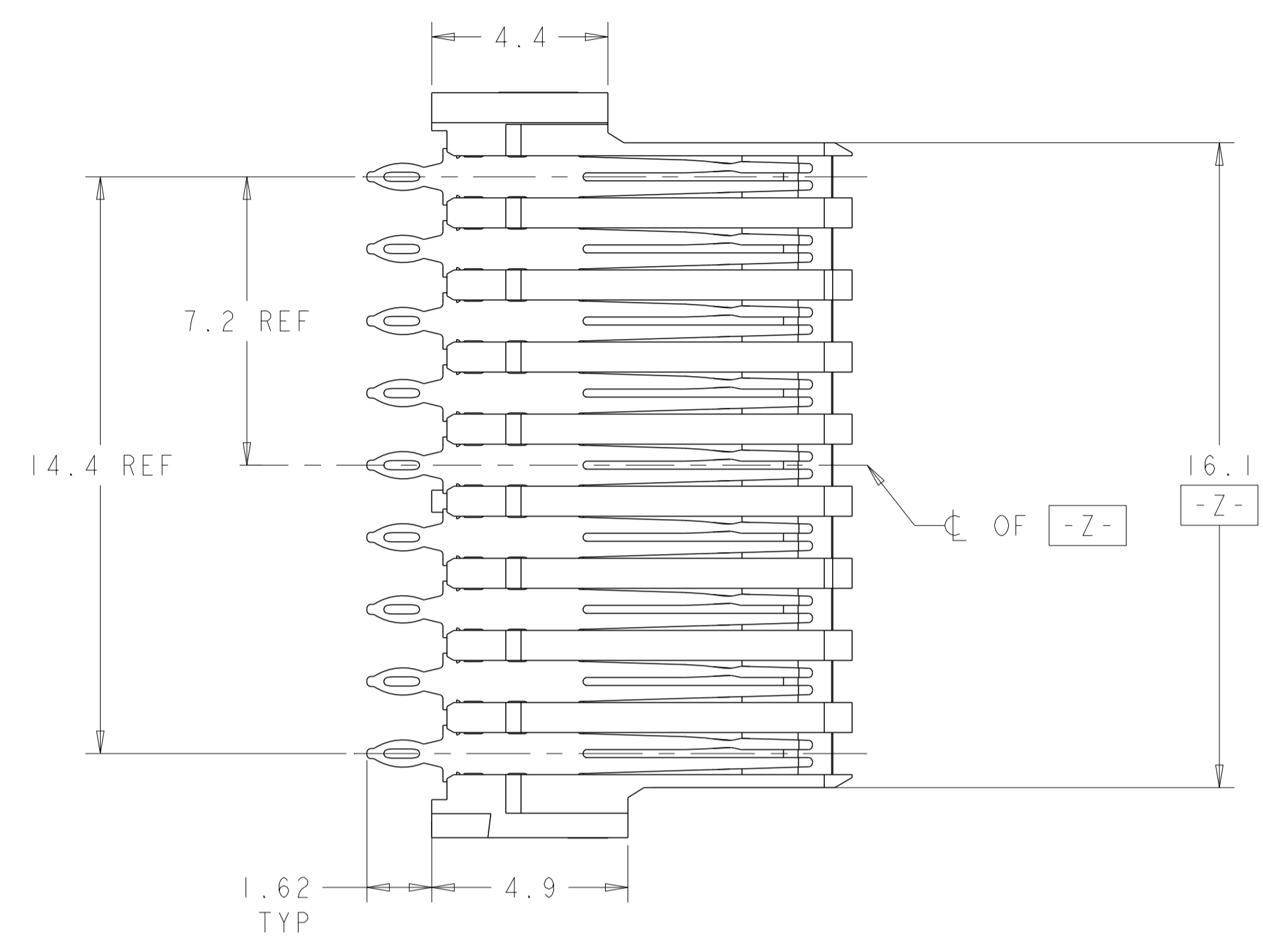


JURISDICTION	EAR
CLASSIFICATION	EAR99
DATE OF MARKING	17SEP2021
THIS DOCUMENT CONTAINS CONTROLLED TECHNICAL DATA SUBJECT TO THE EXPORT ADMINISTRATION REGULATIONS (EAR). VIOLATIONS OF THESE EXPORT LAWS AND REGULATIONS ARE SUBJECT TO CIVIL AND CRIMINAL PENALTIES.	

THIS DRAWING IS A CONTROLLED DOCUMENT.		DWN K. MILLER 07SEP2011	TE Connectivity	
DIMENSIONS: mm		CHK K. THACKSTON 12SEP2011	NAME CONNECTOR ASSEMBLY, BACKPLANE VERTICAL RECEPTACLE, CENTER, 20.3mm, MULTIGIG RT 2-R	
TOLERANCES UNLESS OTHERWISE SPECIFIED: 0 PLC ± 1 PLC ±0.5 2 PLC ±0.13 3 PLC ± 4 PLC ± ANGLES ±1°		APVD M. McALONIS 10SEP2012	SIZE 114-13056	
MATERIAL		PRODUCT SPEC 108-2072	RESTRICTED TO	
FINISH SEE TABLE		APPLICATION SPEC	CAGE CODE 114-13056	
		WEIGHT 6.51g	DRAWING NO A100779	
		Customer Drawing	SCALE 2:1 SHEET 1 OF 2 REV E	

LOC		DIST		REVISIONS			
P	LTN	DESCRIPTION	DATE	DMN	APVD		
-	-	SEE SHEET 1	-	-	-		

REAR TRANSITION MODULE APPLICATION



JURISDICTION	EAR
CLASSIFICATION	EAR99
DATE OF MARKING	17SEP2021
THIS DOCUMENT CONTAINS CONTROLLED TECHNICAL DATA SUBJECT TO THE EXPORT ADMINISTRATION REGULATIONS (EAR). VIOLATIONS OF THESE EXPORT LAWS AND REGULATIONS ARE SUBJECT TO CIVIL AND CRIMINAL PENALTIES.	

THIS DRAWING IS A CONTROLLED DOCUMENT.		DMN: K. MILLER 07SEP2011	TE Connectivity
DIMENSIONS: mm		CHK: K. THACKSTON 12SEP2011	
TOLERANCES UNLESS OTHERWISE SPECIFIED:		APVD: M. McALONIS 10SEP2012	NAME: CONNECTOR ASSEMBLY, BACKPLANE VERTICAL RECEPTACLE, CENTER, 20.3mm, MULTIGIG RT 2-R
0 PLC ± 1 PLC ±0.5 2 PLC ±0.13 3 PLC ± 4 PLC ± ANGLES ±1°		PRODUCT SPEC: 108-2072 APPLICATION SPEC: 114-13056 WEIGHT: 6.51g	
MATERIAL: SEE TABLE		SIZE: A1 CAGE CODE: 100779 DRAWING NO: 2102736 RESTRICTED TO: E	SCALE: 2:1 SHEET: 2 OF 2 REV: E