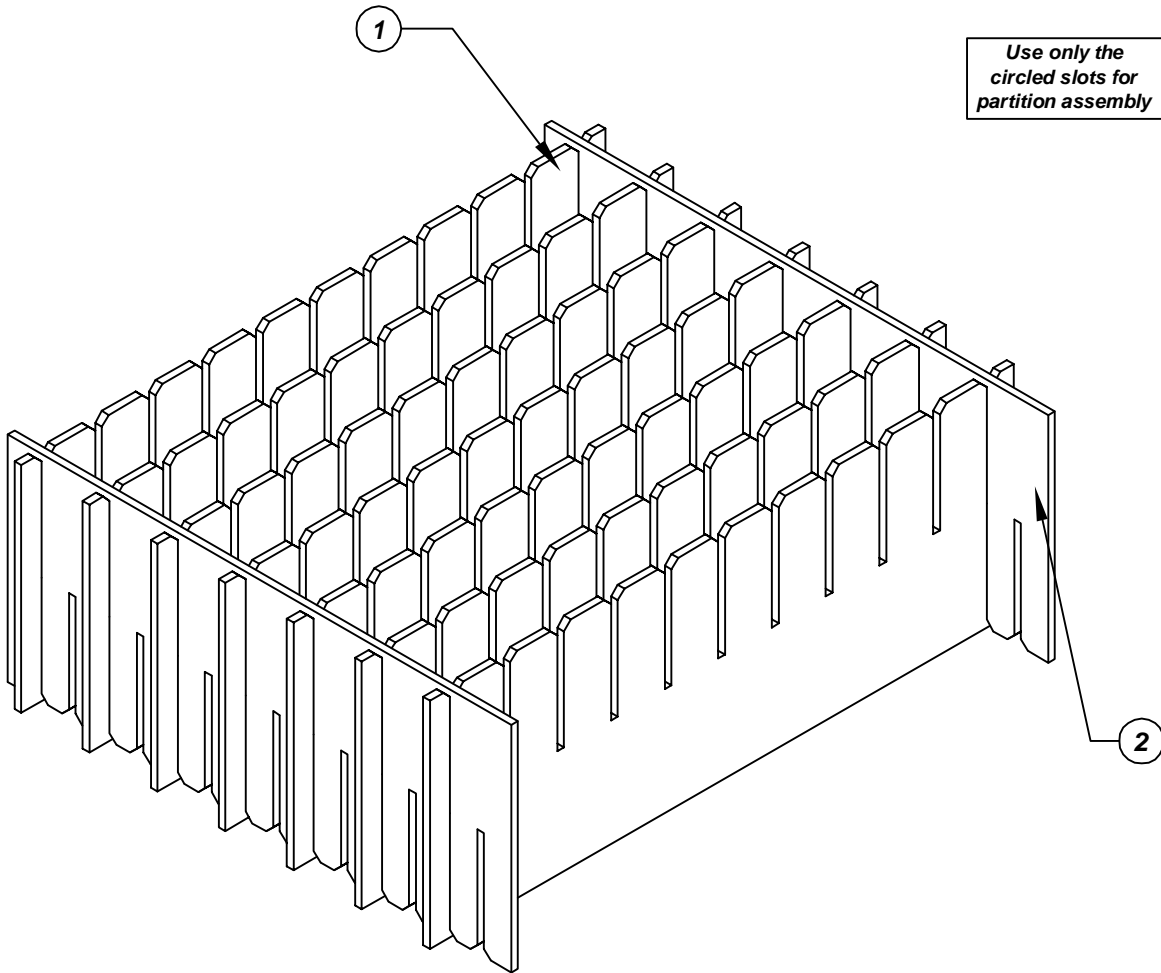
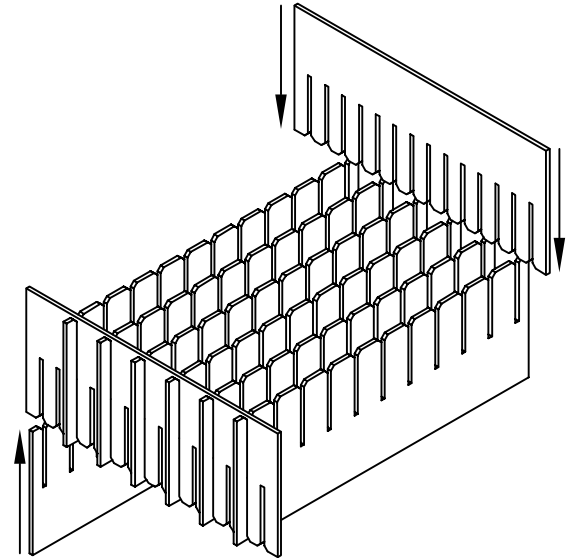
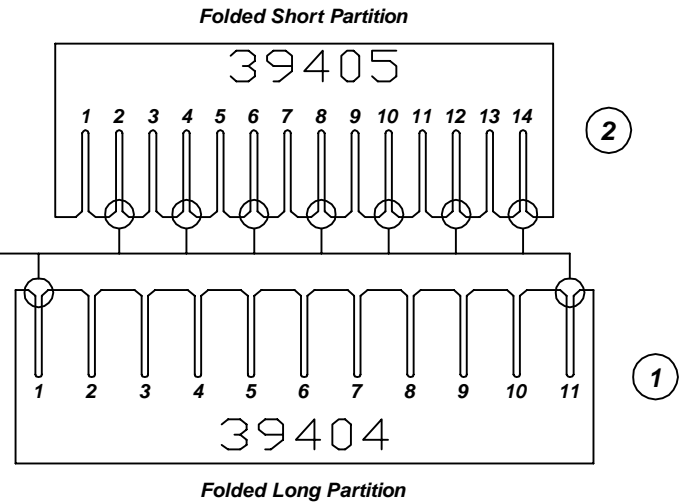


# Assembly Instructions for - 38829



Use only the circled slots for partition assembly



Made in America

|          |                        |  |   |                  |
|----------|------------------------|--|---|------------------|
| F/N<br>① | Part #<br><b>39404</b> | Dimensions:<br><b>16-3/16" x 21-3/4"</b> | Description:<br><b>Adjustable Long Partition</b>  | Qty:<br><b>7</b> |
| F/N<br>② | Part #<br><b>39405</b> | Dimensions:<br><b>16-3/16" x 18-3/4"</b> | Description:<br><b>Adjustable Short Partition</b> | Qty:<br><b>2</b> |

Notes:  
For use with the following storage container & lid:  
37532 - Storage Container  
37557 - Lid

PROTEKTIVE PAK  
13520 MONTE VISTA AVENUE, CHINO, CA 91710  
PHONE (909) 627-2578, FAX (909) 363-7331  
ProtektivePak.com



DRAWING NUMBER  
**IPH-38829**

DATE  
**Dec. 2007**

**38829 - 7 Cell Inplant Handler**  
**Cell Size - 8" x 19-3/4" x 2-1/4"**