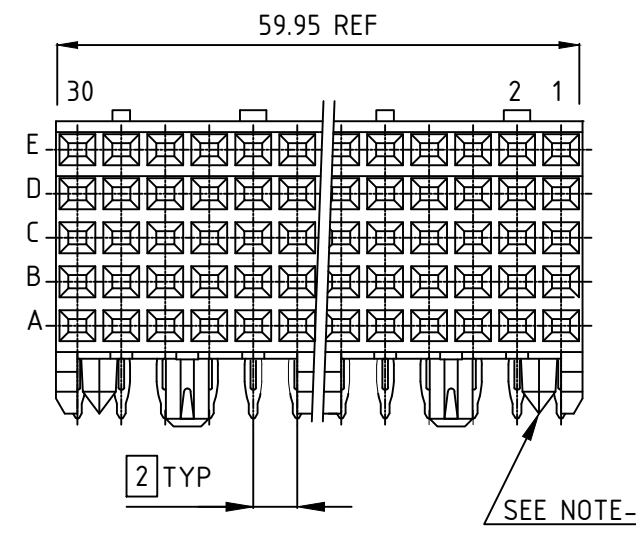
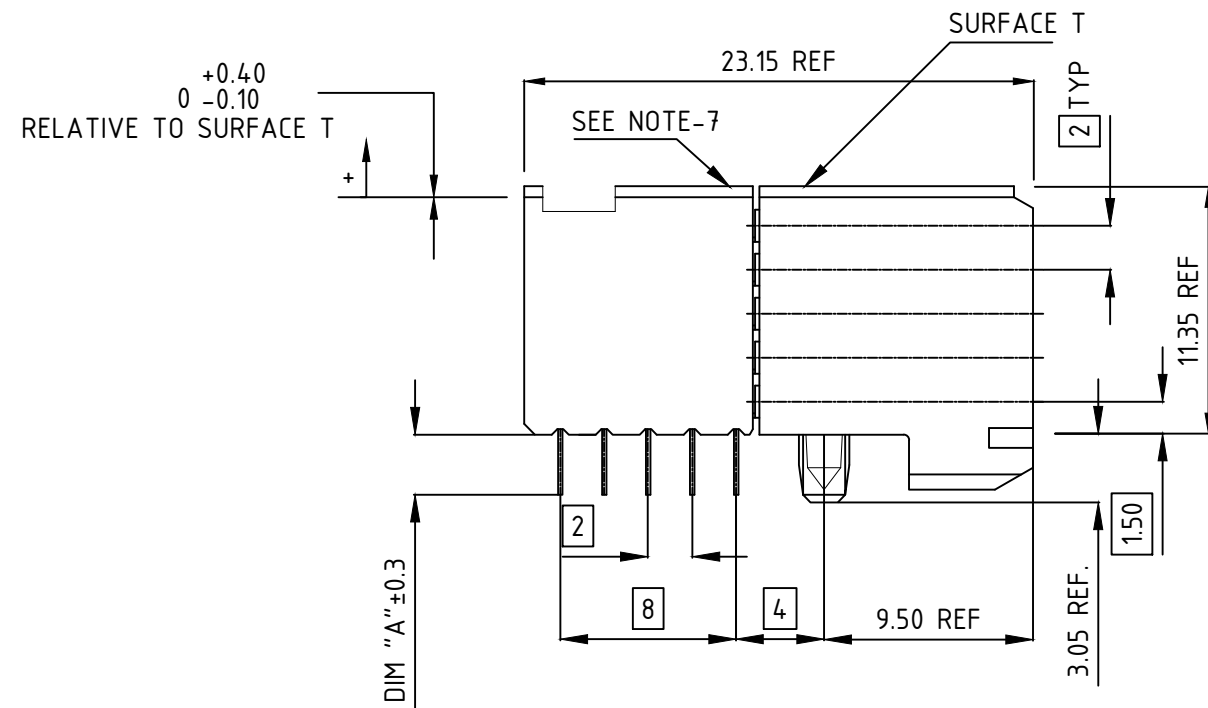


PRODUCT NUMBER	TAIL TYPE	TAIL LGTH DIM "A"	PCB THICKNESS±0.20	LOADING CONFIGURATION
73942-X001LF	SOLDER	2.90	1.6	FULLY LOADED
73942-X002LF	PRESS-FIT	2.90	1.6	
73942-X003LF	SOLDER	3.53	2.4	
73942-X004LF	PRESS-FIT	3.53	2.4	

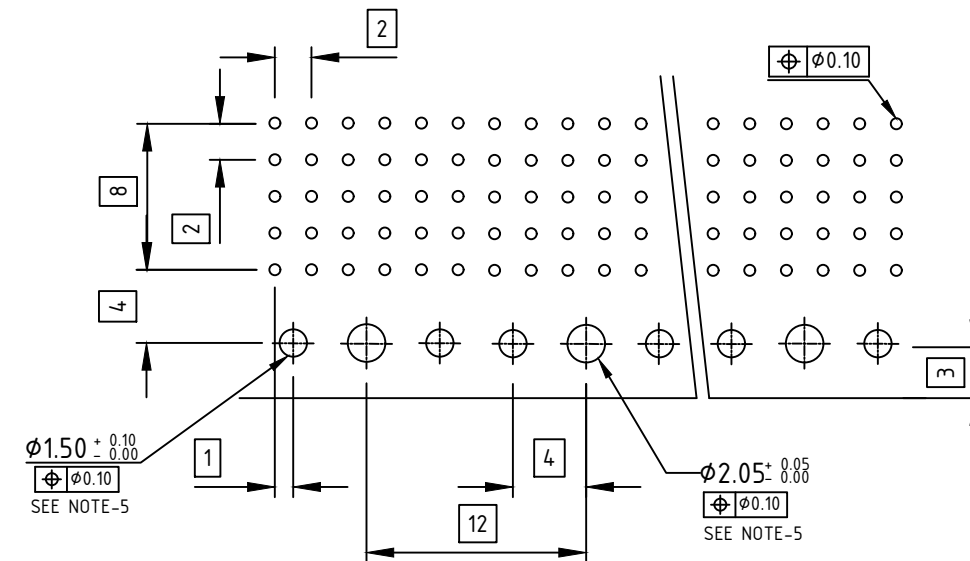


73942-XYLFF Δ

LEAD FREE PART NUMBER
 TERMINATION TYPE
 REFER DRAWING # 10159408

NOTES:

- MATERIAL : BODY : LCP UL94-V0
: CONTACT : COPPER ALLOY.
- FOR PLATING PERFORMANCE REFER DRAWING # 10159408 Δ
- PRODUCT SPECIFICATION: GS-12-002.
- APPLICATION SPECIFICATIONS:
BUS-20-061
GS-20-001
TA-941
- INDICATED HOLES ARE UNPLATED.
- DIAMOND LOCATION PEG ARE ONLY EXISTED ON THE BOTH SIDE OF THE PRODUCT.
- TOP SURFACE OF PRESS BLOCK MAY EXTEND UP TO 0.4MM HIGHER THAN HOUSING. THIS MAY AFFECT THE TAIL LENGTH BEFORE APPLICATION TO A BOARD.
- DIMENSION APPLIES TO BOTH PRESS FIT AND SOLDER TAIL TERMINATIONS
- THIS PRODUCT MEETS EUROPEAN UNION DIRECTIVES AND OTHER COUNTRY REGULATIONS AS DESCRIBED IN GS-47-0004. Δ
- ALL PRODUCTS WILL WITHSTAND EXPOSURE TO 260°C FOR 60 SECONDS IN A CONVECTION. INFAR-RED OR VAPOR PHASE REFLOW OVEN. Δ
- A Δ SYMBOL WILL BE NEXT TO ANY DIMENSION, VIEW, OR NOTE WHICH HAS BEEN MODIFIED WITH THE CURRENT DRAWING REVISION.



RECOMMENDED PC BOARD LAYOUT,
 COMPONENT SIDE
 SEE DRAWING 58351 FOR PTH DETAILS

mat'l. code		surface <input checked="" type="checkbox"/> ISO 1302		tolerance <input checked="" type="checkbox"/> ISO 406		projection <input checked="" type="checkbox"/> ISO 1101		product family	
ltr		ecn no		dr		date		METRAL	
J		DG08-0171		TER		2008-09-01		title	
K		DG09-0068		CENH		2009-06-06		B SERIES R/A RECEPT ASSY, 5 ROW, 5 MOD, PF/STB	
L		ELX-I-38655		MINI		2020-09-22		dwg no	
				dr		M. FETROW		sheet 1 of 1	
				enr		ARUN		73942	
				chr		ALEX BABU		A3	
				appd		SANUJ		Product Customer Drawing	
sheet index		revision sheet		L		1			