

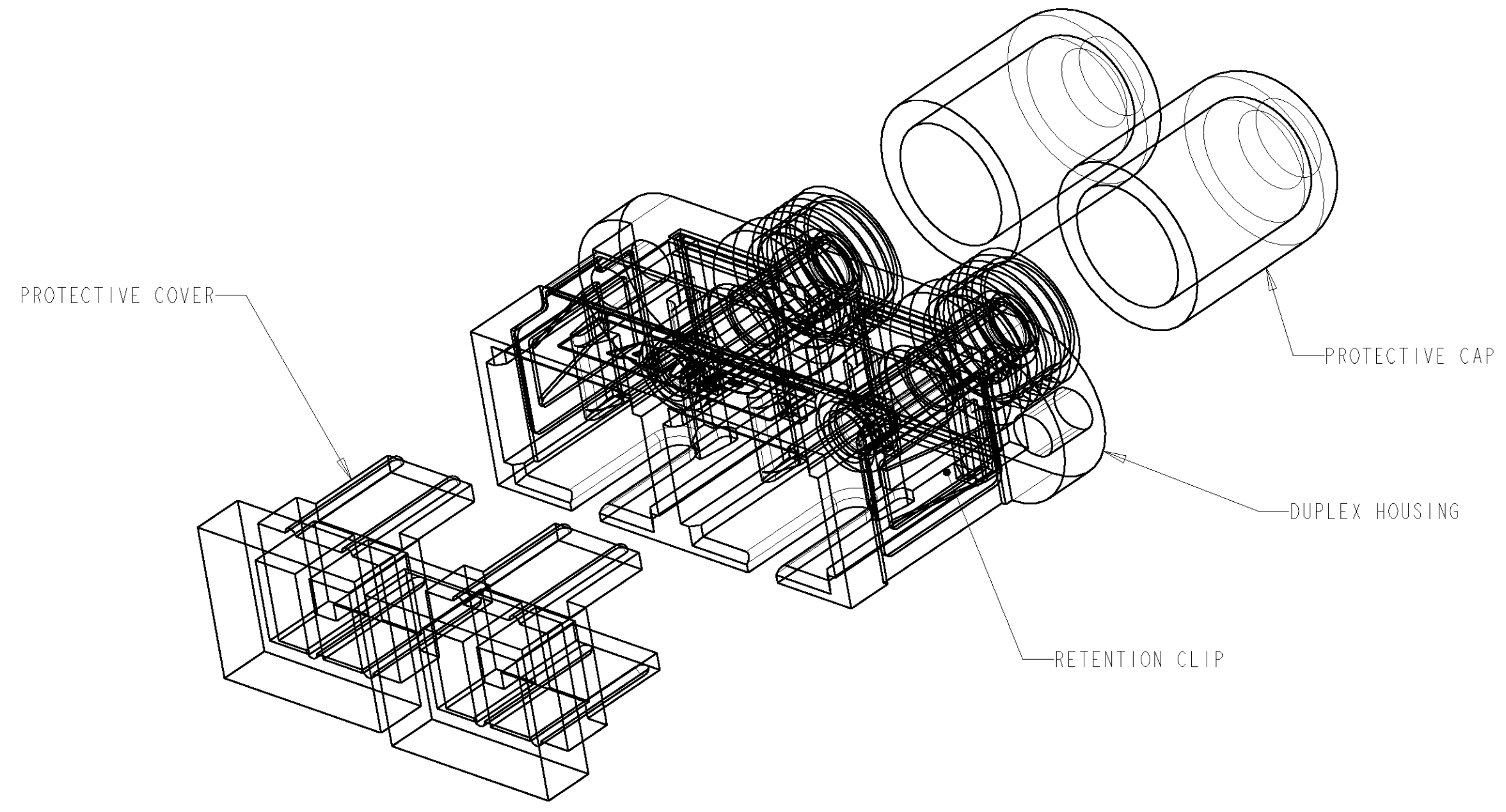
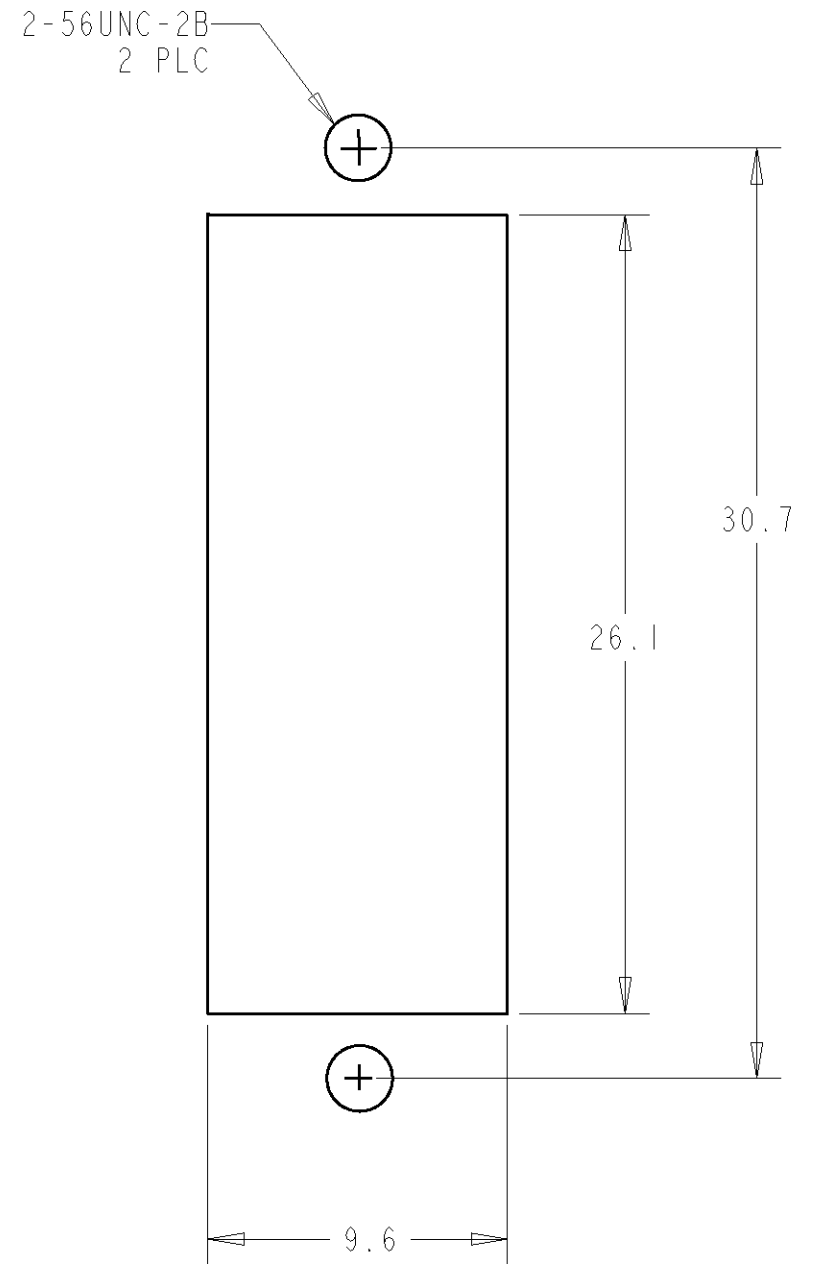
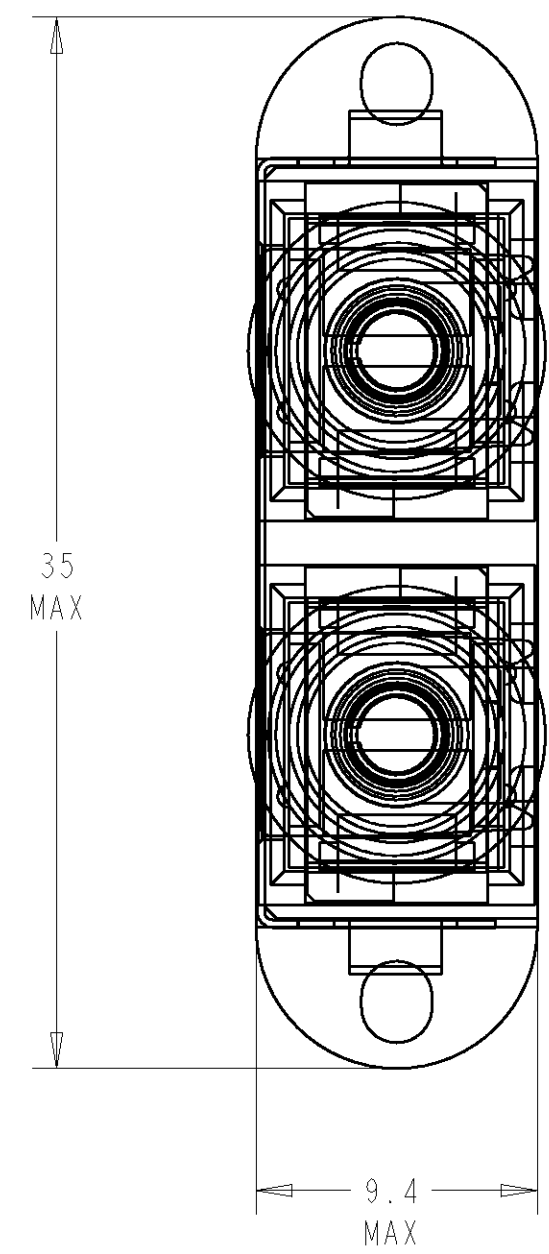
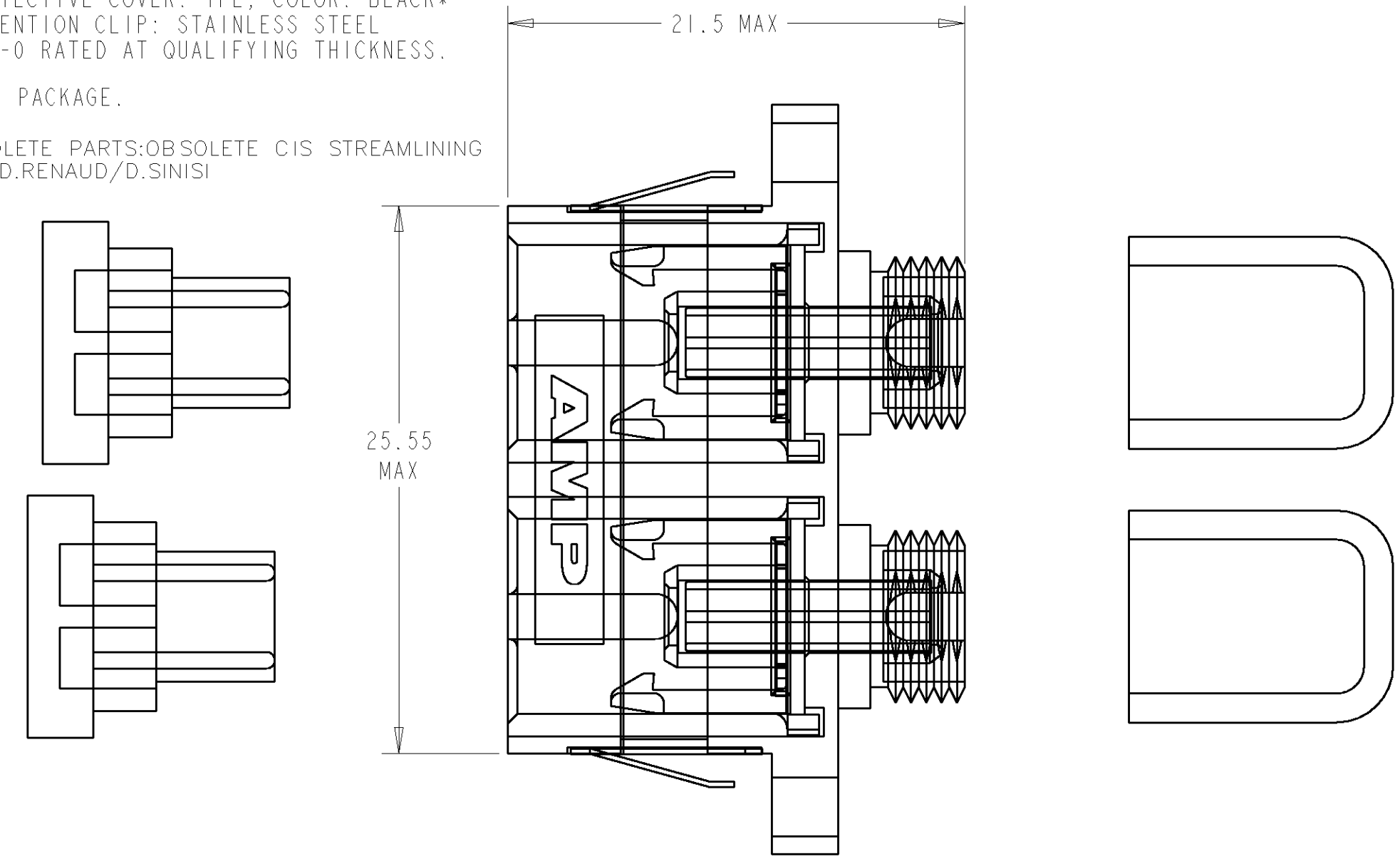
THIS DRAWING IS UNPUBLISHED. RELEASED FOR PUBLICATION .19
 © COPYRIGHT 19 BY AMP INCORPORATED. ALL RIGHTS RESERVED.

LOC		DIST		REVISIONS			
P	LTR	DESCRIPTION	DATE	DWN	APVD		
	A	REV PER EC 0A00-0088-99	3-1-99	DDE	JE		
	B	REVISE PER ECR-05-010010	01SEPT2005	BB	SB		
	B1	REVISED PER ECO-10-000445	27JAN10	KK	HMR		

1 MATERIAL:
 HOUSING: ZINC
 RETAINER: PEI-GF30, COLOR: BLACK*
 ALIGNMENT SLEEVE: SEE DASH NO'S
 PROTECTIVE CAP: VINYL
 PROTECTIVE COVER: TPE, COLOR: BLACK*
 RETENTION CLIP: STAINLESS STEEL
 *UL94 V-0 RATED AT QUALIFYING THICKNESS.

2 BULK PACKAGE.

3 OBSOLETE PARTS: OBSOLETE CIS STREAMLINING PER D.RENAUD/D.SINISI



2 3 SUPERCEDED BY 6278050-4

CERAMIC	1278050-4
CERAMIC	1278050-3
METAL	1278050-1
ALIGNMENT SLEEVE	PART NO

THIS DRAWING IS A CONTROLLED DOCUMENT FOR AMP INCORPORATED. IT IS SUBJECT TO CHANGE AND THE CONTROLLING ENGINEERING ORGANIZATION SHOULD BE CONTACTED FOR THE LATEST REVISION.		DWN D ERDMAN 3-31-98	AMP Incorporated Harrisburg, PA 17105-3608	NAME ASSEMBLY, DUPLEX RECEPTACLE, SC/FC DIECAST HOUSING		
DIMENSIONS: mm		CHR J ENGLISH 3-31-98		SIZE A2	CAGE CODE 00779	DRAWING NO C=1278050
TOLERANCES UNLESS OTHERWISE SPECIFIED:		APVD K MONROE 3-31-98		RESTRICTED TO	SCALE 4:1	SHEET OF REV B1
0 PLC ± 1 PLC ± 2 PLC ± 3 PLC ± 4 PLC ± ANGLES ± FINISH -		PRODUCT SPEC -	CUSTOMER DRAWING			