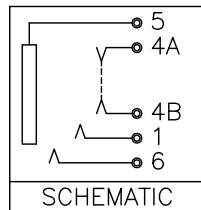


RECOMMENDED PCB LAYOUT  
<TOP VIEW>  
TOLERANCE FOR PCB LAYOUT IS ± 0.05



**Materials and Finish**

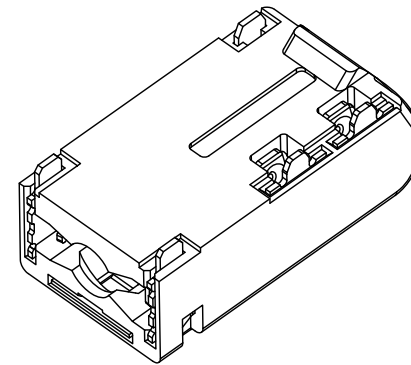
Housing: High Temperature, Thermoplastic, UL 94V-0 Rated  
Color: Black  
Contact Material:  
Copper Alloy, Gold Plated

**Electrical Characteristics**

Insulation Resistance:  
100 Megohms at 500V DC  
Contact Resistance:  
50 milliohms Max.  
Dielectric Withstanding Voltage  
500V AC RMS for 1 Minute

**Mechanical Characteristics**

Insertion Force: 0.4kg - 3.0kg  
Withdrawal Force: 0.4kg - 3.0kg  
Durability: 10,000 Mating Cycles Min.  
Operating Temperature:  
-25°C to +70°C



Tolerances
X.X ± 0.3
X.XX ± 0.2
Unless Stated Otherwise

**RoHS COMPLIANT**

REV.	DATE	DESCRIPTION	REV. BY	CHK. BY	DRAWN BY	DATE
A0	04/29/16	New Drawing	C. Kelleher	W. Cook	H. MA	04/27/16
A1	05/31/16	Release Drawing	C. Kelleher	N/A		
A2	02/22/18	ECO#18-011	H. MA	N/A		

**STX-353E7A-4N-TR**

Ø3.5 Audio Jack, Thru Hole,  
4 Pole, Contoured Face, T/R

