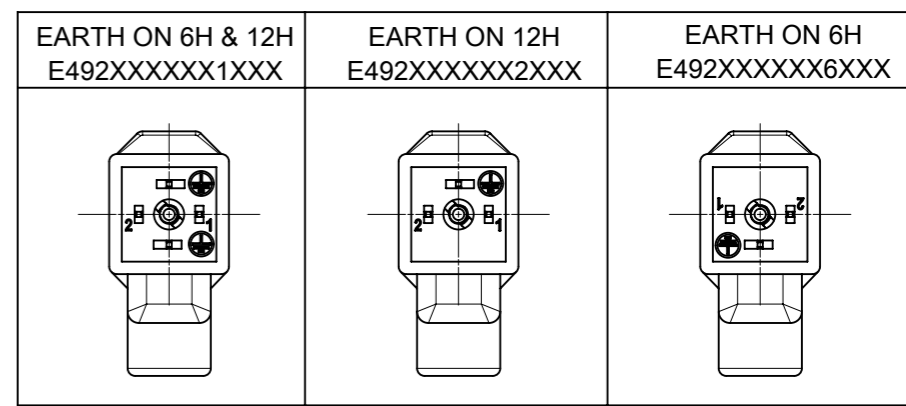
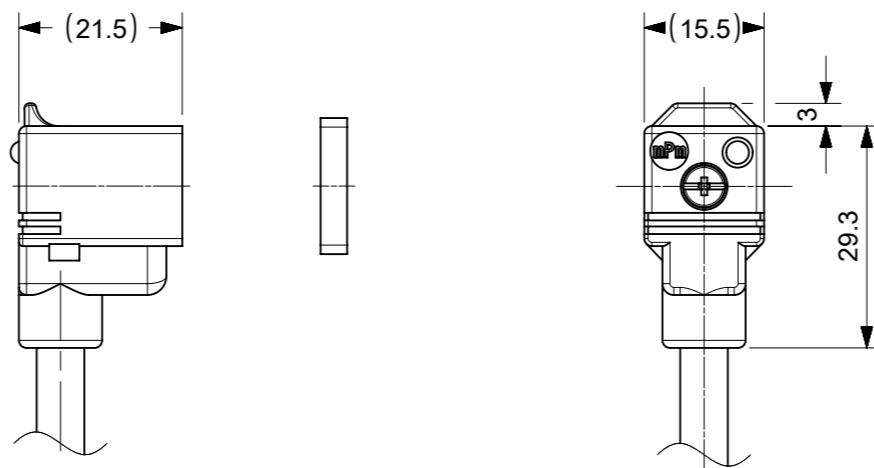
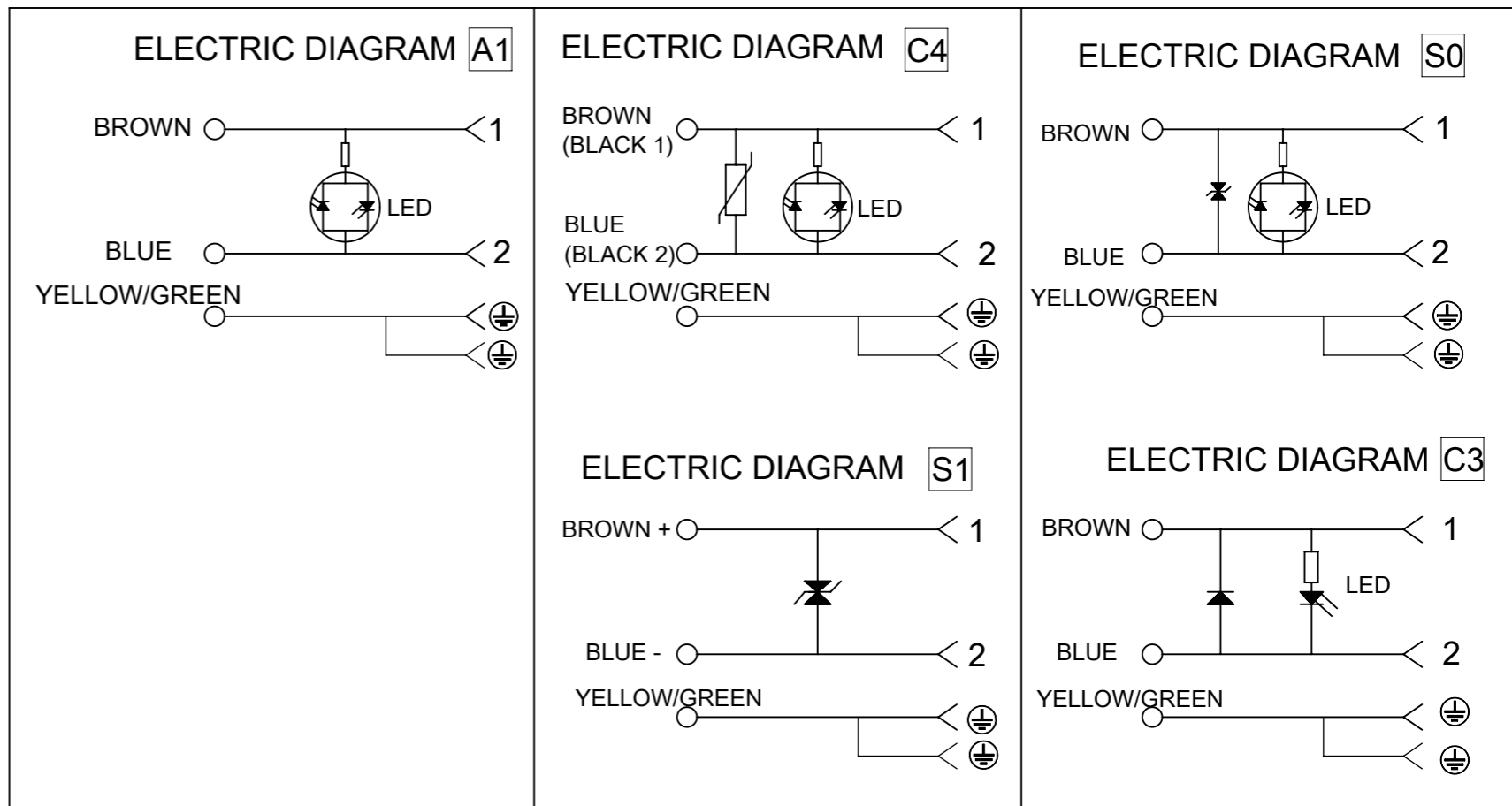


SCREW AND GASKET
SEE SHEET 2, P/N KEY

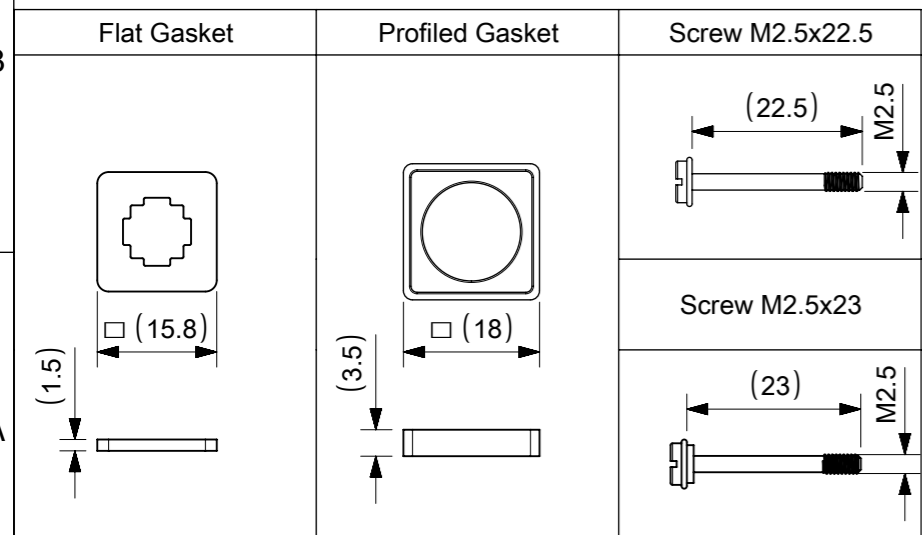
FACE VIEW
SEE INSERT ORIENTATION



WIRING CONFIGURATION



GASKET AND SCREW TYPES



SYMBOLS DIMENSION UNITS: mm SCALE: 1:1 GENERAL TOLERANCES (UNLESS SPECIFIED): ANGULAR TOL: ± ° 4 PLACES: ± 3 PLACES: ± 2 PLACES: ± 1 PLACE: ± 0 PLACES: ± DRAFT WHERE APPLICABLE MUST REMAIN WITHIN DIMENSIONS	THIS DRAWING CONTAINS INFORMATION THAT IS PROPRIETARY TO MOLEX ELECTRONIC TECHNOLOGIES, LLC AND SHOULD NOT BE USED WITHOUT WRITTEN PERMISSION CURRENT REV DESC:		 E492XXXXXXXXXX FORM C EN 175301-803		
	EC NO: 623098 DRWN: SSM 2019/07/31 CHK'D: RSILLER 2019/08/27 APPR: RSILLER 2019/08/27				
INITIAL REVISION: DRWN: JMARSZALEK 2012/10/30 APPR: MIWASIECZKO 2012/11/09		MATERIAL NUMBER: SEE SHEET 3 CUSTOMER: GENERAL MARKET		SHEET NUMBER: 1 OF 3	

ENGINEERING PART No. KEY MATRIX

E 4 9 2 X X X X X X X X X X X

E - Packing without bag
W - Single Packing
Q - Quick Packing

Number of wires:
1- 2 Wires
2- 3 Wires
3- 4 Wires
5- SMC COMPATIBLE 2 WIRES
6- SMC COMPATIBLE 3 WIRES
7- SMC COMPATIBLE 4 WIRES

Cable type:
See Table

Head Colour:
G - Grey
N - Black
T - Transparent
A - CSA-UL Black
B - CSA-UL Grey

Cable Length in[cm]
050 = 50cm
300 = 300cm
10K = 1000cm

Earth PIN location (see insert orientation table):
1 = Double Earth on 6H & 12H
2 = Earth on 12H
6 = Earth on 6H

INTERNAL CIRCUIT
WIRING CONFIGURATION

VOLTAGE AND LED COLOUR :


1 - 12V	A - 12V	A - 12V
2 - 24V	B - 24V	B - 24V
3 - 48V	C - 48V	C - 48V
4 - 115V	D - 115V	D - 115V
5 - 230V	E - 230V	E - 230V

RED LED GREEN LED YELLOW LED

Type of Gasket and Screw (see sheet 1) :
1 = NBR Profile Gasket + Fixing Screw M2.5x22.5mm
2 = NBR Flat Gasket + Fixing Screw M2.5x22.5mm
3 = Silicone Profile Gasket + Fixing Screw M2.5x22.5mm
4 = Silicone Flat Gasket + Fixing Screw M2.5x22.5mm
T = NBR Profile Gasket + Fixing Screw with Washer M2.5x23mm

CABLE TYPE TABLE

MOLEX PN	NO. OF WIRES CODE (SEE PN MATRIX)	CABLE TYPE	NO. OF WIRES	CROSS SECTION	CABLE O.D.	CABLE JACKET	WIRES COLOR
1210180128	2	A2	3	AWG 20	∅5.6±0.2 mm	PVC BLACK	BN, BU, GN/YE
1210180284	2	I2	3	0.5mm ²	∅5.5±0.3 mm	PVC GREY	BN, BU, GN/YE
1202092753	2	N2	3	0.5mm ²	∅5.5±0.2 mm	PVC BLACK	BN, BU, GN/YE
1202092439	2	P2	3	0.5mm ²	∅5.5±0.3 mm	PUR BLACK	BN, BU, GN/YE
1210180126	2	B2	3	AWG 20	∅5.6±0.2 mm	PUR BLACK	BN, BU, GN/YE
1210180122	2	D2	3	0.5mm ²	∅5.5±0.2 mm	PVC GREY	BN, BU, GN/YE
1552200108	2	W2	3	AWG 21	∅5.6mm	PVC GREY	BN, BU, GN/YE

SYMBOLS		THIS DRAWING CONTAINS INFORMATION THAT IS PROPRIETARY TO MOLEX ELECTRONIC TECHNOLOGIES, LLC AND SHOULD NOT BE USED WITHOUT WRITTEN PERMISSION		 E492XXXXXXXXXX FORM C EN 175301-803			
∇ = 0	mm	SCALE	1:1			CURRENT REV DESC:	
∇ = 0	GENERAL TOLERANCES (UNLESS SPECIFIED)		EC NO: 623098 DRWN: SSM 2019/07/31 CHK'D: RSILLER 2019/08/27 APPR: RSILLER 2019/08/27				
∇ = 0	ANGULAR TOL ± °		INITIAL REVISION:		PRODUCT CUSTOMER DRAWING		
∇ = 0	4 PLACES ±		DRWN: JMARSZALEK 2012/10/30		DOCUMENT NUMBER		
∇ = 0	3 PLACES ±		APPR: MIWASIECZKO 2012/11/09		SD-121050-002		
∇ = 0	2 PLACES ±		DRAFT WHERE APPLICABLE MUST REMAIN WITHIN DIMENSIONS		DOC TYPE DOC PART REVISION		
∇ = 0	1 PLACE ±		THIRD ANGLE PROJECTION		PSD 001 B1		
∇ = 0	0 PLACES ±		DRAWING		SHEET NUMBER		
■ = 0	DRAFT WHERE APPLICABLE MUST REMAIN WITHIN DIMENSIONS		SERIES		SEE SHEET 3		
∇ = 0	DRAFT WHERE APPLICABLE MUST REMAIN WITHIN DIMENSIONS		A3-SIZE		GENERAL MARKET		
∇ = 0	DRAFT WHERE APPLICABLE MUST REMAIN WITHIN DIMENSIONS		121050		2 OF 3		

PART LIST

MOLEX P/N	ENG No.	LENGTH(mm)
1210501425	E492A2A30012C4H	3000
1210501426	E492A2A30012C4L	3000
1210501428	E492B2A10012C4H	1000
1210501429	E492B2A50012C4H	5000
1210501430	E492D2G40011C42	4000
1210501436	E492I2N10K11C4H	10000
1210501441	E492I2N20011C42	2000
1210501444	E492I2N25011C4H	2500
1210501446	E492I2N30011C42	3000
1210501447	E492I2N30011C4H	3000
1210501453	E492I2N50011C4H	5000
1210501465	E492N2N10011C45	1000
1210501466	E492N2N10011C4H	1000
1210501467	E492N2N10012A11	1000
1210501469	E492N2N10012A14	1000
1210501472	E492N2N10012C45	1000
1210501473	E492N2N10012C4H	1000
1210501474	E492N2N10012C4L	1000
1210501475	E492N2N10K11C4H	10000
1210501476	E492N2N10K11S0H	10000
1210501486	E492N2N20011A1H	2000
1210501488	E492N2N20011C42	2000
1210501490	E492N2N20011C4B	2000
1210501493	E492N2N20011C4H	2000
1210501494	E492N2N20012A12	2000
1210501495	E492N2N20012A14	2000
1210501496	E492N2N20012C41	2000
1210501497	E492N2N20012C42	2000
1210501498	E492N2N20012C44	2000
1210501500	E492N2N20012C4H	2000
1210501501	E492N2N20012C4L	2000
1210501503	E492N2N30011C32	3000
1210501504	E492N2N30011C42	3000
1210501505	E492N2N30011C44	3000
1210501506	E492N2N30011C45	3000
1210501507	E492N2N30011C4B	3000
1210501508	E492N2N30011C4C	3000
1210501511	E492N2N30011C4H	3000
1210501513	E492N2N30011C4M	3000
1210501517	E492N2N30012C42	3000
1210501520	E492N3N30012C4H	3000
1210501521	E492N2N30012C4L	3000
1210501526	E492N2N50011C42	5000
1210501527	E492N2N50011C4B	5000
1210501529	E492N2N50011C4H	5000
1210501531	E492N2N50012C42	5000
1210501532	E492N2N50012C4H	5000
1210501533	E492N2N50012C4L	5000
1210501535	E492P2N06011C4H	600
1210501537	E492P2N10012C4H	1000
1210501538	E492P2N10012C4L	1000
1210501539	E492P2N10K11C4H	10000
1210501543	E492N2N30012C4H	3000

MOLEX P/N	ENG No.	LENGTH(mm)
1210501544	E492P2N30012C4L	3000
1210501546	E492P2N50011C4H	5000
1210501548	E492P2N50012C4L	5000
1210501549	E492P2N80011C42	8000
1210501564	E492I2N20011A1H	2000
1210501602	E492A2A10012C4H	1000
1210501721	E492B2A11011C4H	1100
1210501730	E492B2A10012C4L	1000
1210501788	E492N2N30021C4H	3000
1210501811	E492B2A20011C4H	2000
1210501964	E492P2N07011C4H	700
1210501991	E492A2A10012C42	1000
1210502006	E492A2A50011S0H	5000
1210502010	E492A2A15011S0H	1500
1210502011	E492B2A50011C4H	5000
1210502045	E492A2A30011S0H	3000
1210502127	E492A2A20011S0H	2000
1210502168	E492A2A10011S0H	1000
1210502200	E492B2A50012C4L	5000
1210502217	E492B2A04011C4H	400
1210502287	E492A2A10K11S0H	10000
1210502330	E492N2N10011C3H	1000
1210502349	E492I2N30062A1H	3000
1210502448	E492I2N20011A12	2000
1210502456	E492A2A70011S0H	7000
1210502494	E492N2N20011C32	2000
1210502508	E492A2A30021C42	3000
1210502509	E492A2A30021C44	3000
1210502516	E492I2N30011C3H	3000
1210502529	E492P2N10K11C4H	10000
1210502544	E492N2N30011A15	3000
1210502547	E492A2A50011C4H	5000
1210502560	E492I2G50011C4H	5000
1210502600	E492N2N30021A1B	3000
1210502623	E492P2N50011C42	5000
1210502631	E492I2N20011S12	2000
1210502675	E492I2N20012S12	2000
1210503023	E492A2A10K11S0L	10000
1210503036	E492N2N06011C4H	600
1210503044	E492A2A10K11C4H	10000
1210503057	E492N2N10021C44	1000
1210503103	E492N2N30011S0B	3000
1210503143	E492B2A30012C4H	3000
1210503144	E492B2A30012C4L	3000
1210503220	E492I2N50011C4L	5000
1210503240	E492A2A20011C4H	2000
1210503241	E492A2A30011C4H	3000
1210503345	E492A2A06011C42	600
1210503376	E492B2A10011C4H	1000
1210503377	E492B2A10011C4L	1000
1210503378	E492B2A30011C4H	3000
1210503379	E492B2A30011C4L	3000
1210503380	E492B2A50011C4L	5000

MOLEX P/N	ENG No.	LENGTH(mm)
1210503393	E492B2A10011S0H	1000
1210503394	E492B2A10011S0L	1000
1210503395	E492B2A30011S0H	3000
1210503396	E492B2A30011S0L	3000
1210503397	E492B2A50011S0H	5000
1210503398	E492B2A50011S0L	5000
1210503401	E492N2N10012C42	1000
1210503404	E492I2N10011C4H	1000
1210503412	E492A2A50011C4L	5000
1210503479	E492N2N10011C4M	1000
1210503529	E492P2N10K11S0H	10000
1210503532	E492A2A15K11S0H	15000
1210503559	E492N2N20011A12	2000
1210503599	E492P2N15011S0B	1500
2210509010	E492W2A30011C4H	3000
2210509011	E492W2A30011C4L	3000
2210509012	E492W2A30011C4M	3000

SYMBOLS	THIS DRAWING CONTAINS INFORMATION THAT IS PROPRIETARY TO MOLEX ELECTRONIC TECHNOLOGIES, LLC AND SHOULD NOT BE USED WITHOUT WRITTEN PERMISSION	
	DIMENSION UNITS	SCALE
	mm	1:1
	CURRENT REV DESC:	
▽ = 0	GENERAL TOLERANCES (UNLESS SPECIFIED)	
▽ = 0	ANGULAR TOL ± °	
▽ = 0	4 PLACES ±	
▽ = 0	3 PLACES ±	
▽ = 0	2 PLACES ±	
▽ = 0	1 PLACE ±	
▽ = 0	0 PLACES ±	
☒ = 0	DRAFT WHERE APPLICABLE MUST REMAIN WITHIN DIMENSIONS	
▽ = 0	THIRD ANGLE PROJECTION	
	DRAWING	SERIES
	A3-SIZE	121050
	MATERIAL NUMBER	CUSTOMER
	SEE PART LIST	GENERAL MARKET
	DOCUMENT NUMBER	DOC TYPE DOC PART REVISION
	SD-121050-002	PSD 001 B1
	EC NO: 623098	
	DRWN: SSM	2019/07/31
	CHK'D: RSILLER	2019/08/27
	APPR: RSILLER	2019/08/27
	INITIAL REVISION:	
	DRWN: JMARSZALEK	2012/10/30
	APPR: MIWASIECZKO	2012/11/09
	SHEET NUMBER	
	3 OF 3	