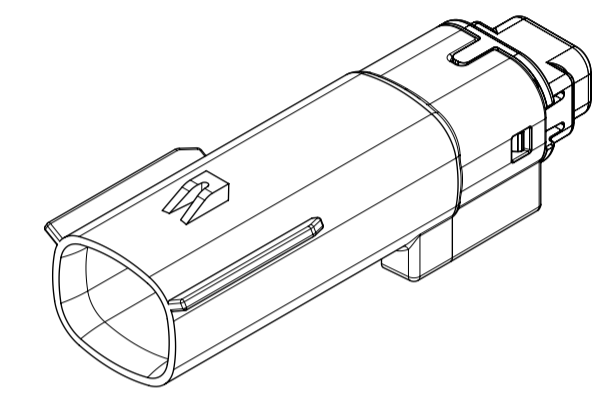


TABLE OF CONTENTS	
SHEET NO.	SHEET DESCRIPTION
1	NOTES AND BOM
2	CONFIGURATIONS
3-4	KEY CONFIGURATIONS
5	BLADE SEALED ASSEMBLY
6	SYSTEM PACKAGING
7	BACKSHELL NOTES
8	BACKSHELL
9	BACKSHELL CONFIGURATIONS

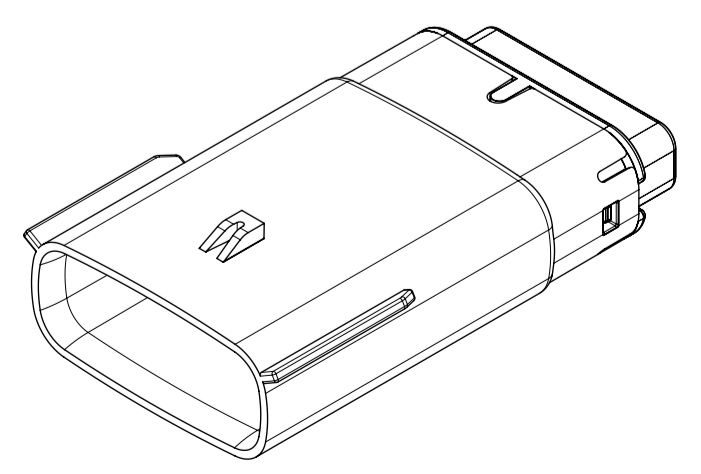
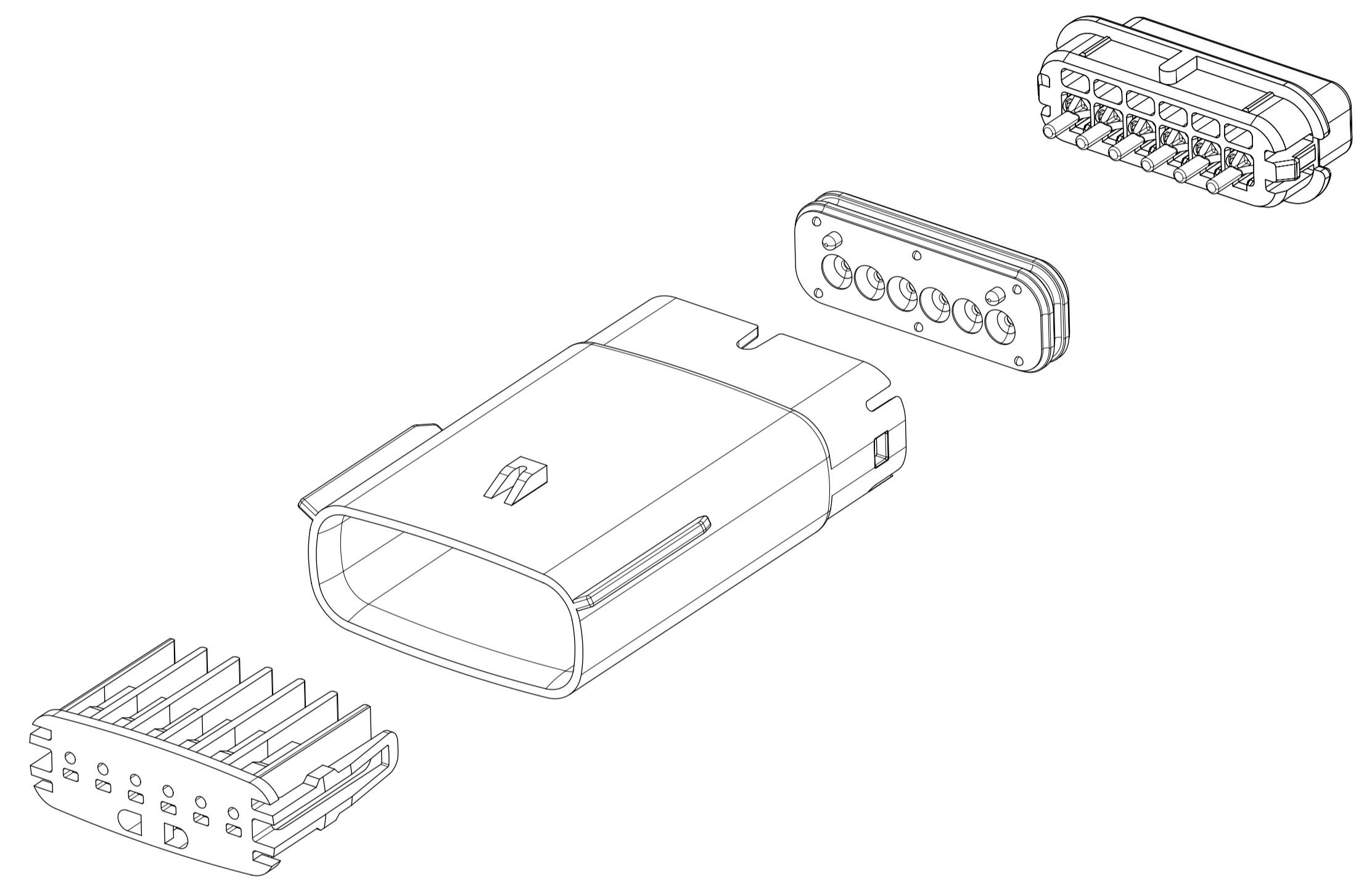
NOTES: VALID UNLESS OTHERWISE SPECIFIED

1. GENERAL:
- a. APPLICATION SPECIFICATION SEE: AS-33472-100
- CONTAINS: PRODUCT INTRODUCTION, PRODUCT SUMMARY, CONNECTOR ASSEMBLY, PACKAGING INFORMATION, CONNECTOR MATING, SERVICE INSTRUCTIONS, ELECTRICAL CONTINUITY CHECKING, CRIMPING, AND TROUBLESHOOTING.
 - DESIGNED TO MATE WITH RECEPTACLE SEALED ASSEMBLY AS SPECIFIED IN THE MATING CONNECTOR DRAWINGS CHART.
 - *DENOTES DRAWINGS THAT CAN BE ACCESSED AT <http://ewcap.uscarteams.org/>
 - ASSEMBLY SHIPPED WITH PLR IN PRE-LOCK POSITION (SEE PLR PRE-LOCK VIEW SHEET 5).
- b. PRODUCT SPECIFICATION SEE:
- STANDARD CONFIGURATION: PS-33471-000
 - UL V0 CONFIGURATION: PS-160105-0001
 - CONTAINS: PRODUCT INTRODUCTION, PRODUCT SUMMARY, RATINGS (CURRENT, TEMPERATURE, SEALING, AND FLAMMABILITY), TERMINALS, WIRE DIAMETER RANGE, PRODUCT VALIDATION, AND PRODUCT DEVIATIONS.
- c. PACKAGING SPECIFICATION PER MOLEX DRAWING: PK-31300-635 (PK-33471-000 FOR 1X5)
- d. PARTS MUST BE IN COMPLIANCE TO MOLEX CHEMICAL SUBSTANCES FOR PRODUCTS AND PACKAGING SPECIFICATION: QEHS-699000-300
- e. DATA MUST BE SUBMITTED UNDER THE MOLEX PART NUMBER TO IMDS (COMPANY ID#13255)
2. DESIGN - MATERIALS:
- a. FOR BILL OF MATERIALS SEE:
- STANDARD CONFIGURATION: SD-33481-0002
 - UL V0 CONFIGURATION: SD-160106-0002
3. DESIGN - GEOMETRY:
- a. THE 3-D CAD DATA IS BASIC (WITHOUT TOLERANCE) AND MASTER FOR THIS PART WITH THE EXCEPTION OF UNDERLINED DIMENSIONS. DIMENSIONAL INFORMATION NOT SHOWN ON THIS DRAWING IS DEFINED BY THE DATA FILE AT ITS LATEST REVISION.
- b. GEOMETRIC DIMENSIONS AND TOLERANCES PER ASME Y14.5M-2009
- c. EDGES AND UNDIMENSIONED DETAILS PER ISO13715
- d. CORNERS SHOWN AS SHARP TO BE R 0.2 MAX.
- e. LETTERING SHALL BE 0.15 MAX RAISED IN 0.25 MAX RECESS PAD. THIS INCLUDES RECYCLING CODE, CAVITY ID, VENDOR IDENTIFICATION, AND CUSTOMER MATERIAL NUMBER.
- f. VISUAL DEFECTS SHALL MEET COSMETIC STANDARD PS-45499-002 (Class B).
- g. LASER MARKING:
1. PART NUMBER
 2. DAY OF THE YEAR
 3. SHIFT
 4. YEAR
- FOR ADDITIONAL INFORMATION SEE SECTION 5 UNDER PROCEDURES IN ES-34735-008.

MATING CONNECTOR DRAWINGS	
DESCRIPTION	MOLEX INLINE
1X2	SD-33471-0001
1X6	SD-33471-0001



1X2

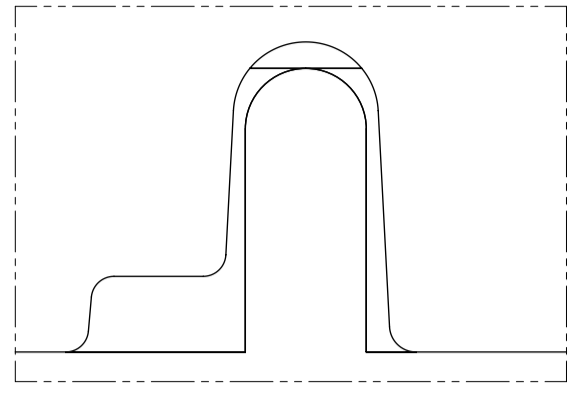


1X6

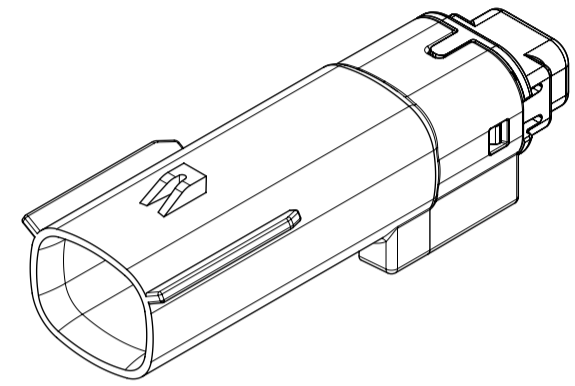
INSPECTION NUMBER LOG	
LAST NUMBER: 9	ADDED:
REMOVED:	REV
A1	NX REMASTERING , CHANGE PS DRAWING NUMBER FROM PS-160105-0001 TO PS-160074-0001 IN NOTES 1.b
A	MINOR GEOMETRY CHANGE FOR UL V0
2	UPDATED VIEWSETS
1	INITIAL RELEASE
REV	REV DESCRIPTION

SYMBOLS = 0 = 0 = 0 = 0 = 0 = 0 = 0 = 0 = 0	THIS DRAWING CONTAINS INFORMATION THAT IS PROPRIETARY TO MOLEX ELECTRONIC TECHNOLOGIES, LLC AND SHOULD NOT BE USED WITHOUT WRITTEN PERMISSION DIMENSION UNITS: MM ONLY SCALE: 1.5:1	CURRENT REV DESC: EC NO: 602373 DRWN: DSHETTY01 2018/05/25 CHK'D: MVANSLAMBROU 2018/10/04 APPR: MVANSLAMBROU 2018/10/04			
	GENERAL TOLERANCES (UNLESS SPECIFIED) ANGULAR TOL ± 1.0°	INITIAL REVISION: DRWN: APROFFITT 2015/07/21 APPR: KDEKOSKI 2016/06/14	MX150 BLADE SINGLE ROW SEALED ASSY MAT SEAL		
	4 PLACES ± 3 PLACES ± 2 PLACES ± 0.1 1 PLACE ± 0.2 0 PLACES ±	PRODUCT CUSTOMER DRAWING DOCUMENT NUMBER: SD-33481-0001 DOC TYPE: PSD DOC PART: 001 REVISION: A1	PRODUCT CUSTOMER DRAWING		
	DRAFT WHERE APPLICABLE MUST REMAIN WITHIN DIMENSIONS	THIRD ANGLE PROJECTION 	DRAWING: A1-SIZE SERIES: 33481	MATERIAL NUMBER: SEE NOTE 2a. CUSTOMER: GENERAL MARKET	SHEET NUMBER: 1 OF 9

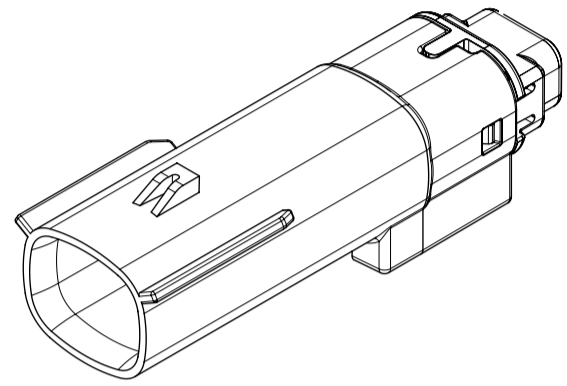
SHEET DESCRIPTION
CONFIGURATIONS



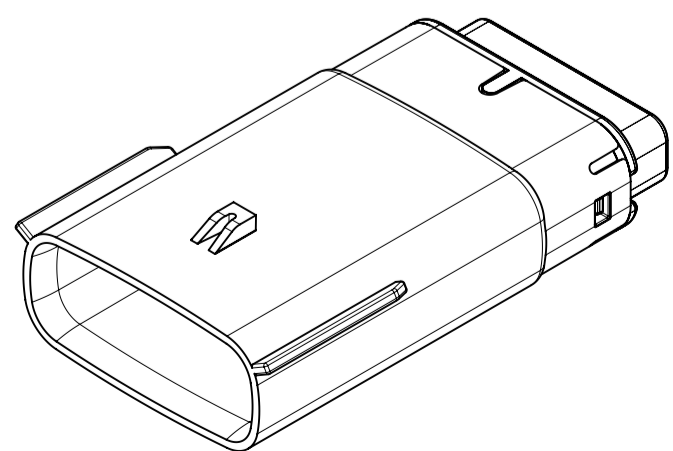
UL V0 UNIQUE FEATURE
Partial1
SCALE 10:1



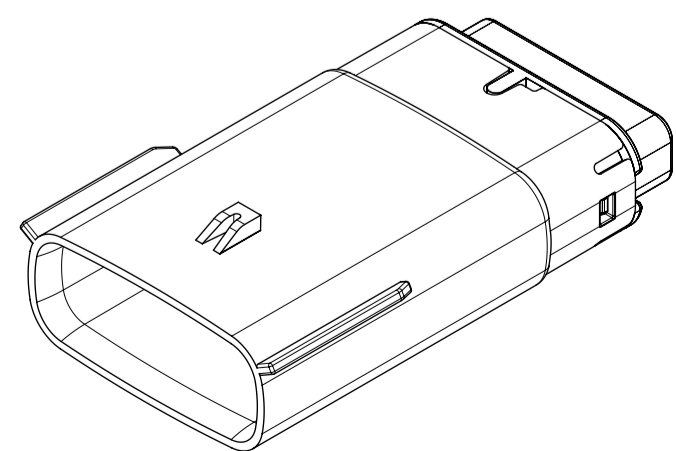
1x2 - STD



1X2 - UL V0*



1x6 - STD

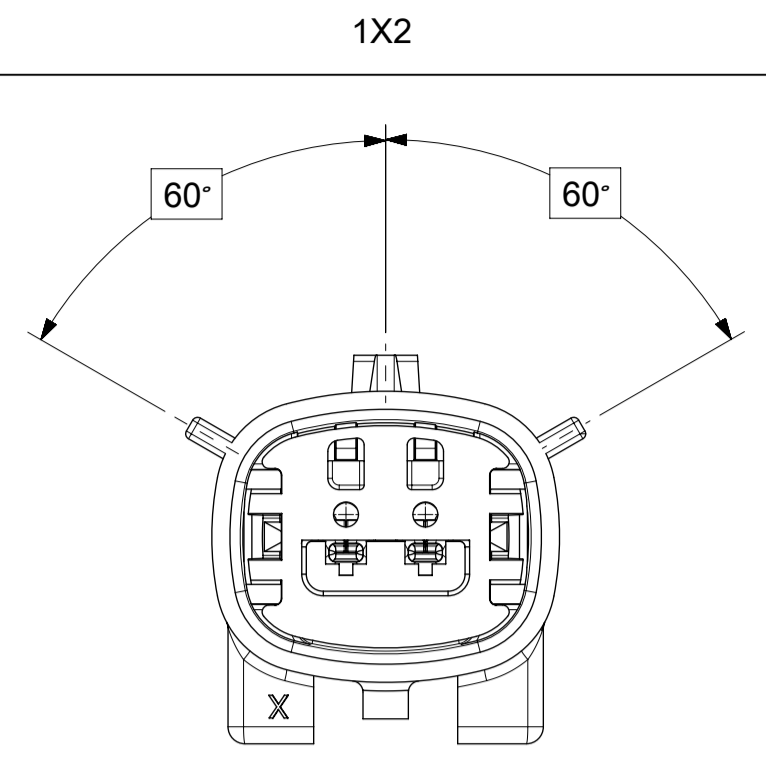


1x6 - UL V0*

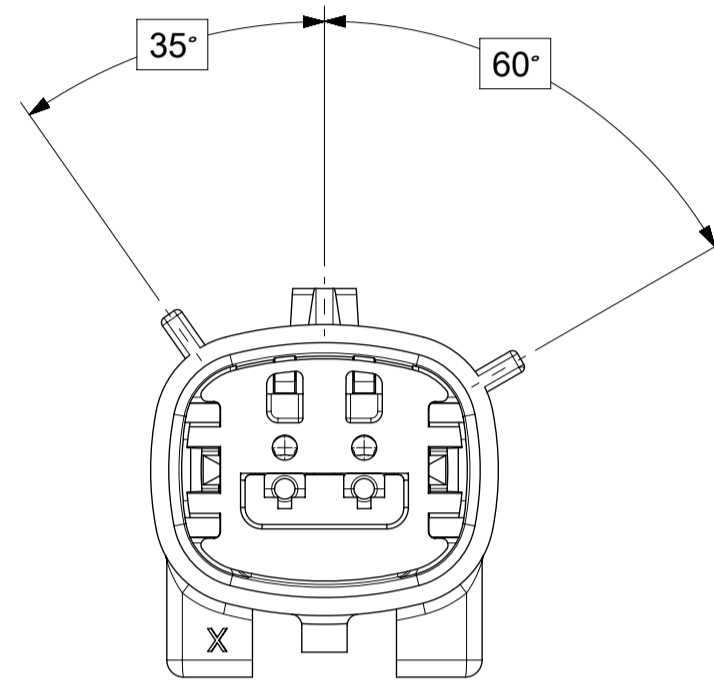
* MINOR GEOMETRY DIFFERENCE THAN STANDARD CONFIGURATION.
SEE NOTES 1 & 2 FOR MORE INFORMATION

SYMBOLS = 0 	THIS DRAWING CONTAINS INFORMATION THAT IS PROPRIETARY TO MOLEX ELECTRONIC TECHNOLOGIES, LLC AND SHOULD NOT BE USED WITHOUT WRITTEN PERMISSION DIMENSION UNITS: MM ONLY SCALE: 1.5:1 GENERAL TOLERANCES (UNLESS SPECIFIED) ANGULAR TOL ± 1.0° 4 PLACES ± 3 PLACES ± 2 PLACES ± 0.1 1 PLACE ± 0.2 0 PLACES ± DRAFT WHERE APPLICABLE MUST REMAIN WITHIN DIMENSIONS	CURRENT REV DESC: EC NO: 602373 DRWN: DSHETTY01 2018/05/25 CHK'D: MVANSLAMBROU 2018/10/04 APPR: MVANSLAMBROU 2018/10/04 INITIAL REVISION: DRWN: APROFFITT 2015/07/21 APPR: KDEKOSKI 2016/06/14	 MX150 BLADE SINGLE ROW SEALED ASSY MAT SEAL PRODUCT CUSTOMER DRAWING DOCUMENT NUMBER: SD-33481-0001 DOC TYPE: PSD DOC PART: 001 REVISION: A1 MATERIAL NUMBER: SEE NOTE 2a. CUSTOMER: GENERAL MARKET SHEET NUMBER: 2 OF 9
--	---	---	---

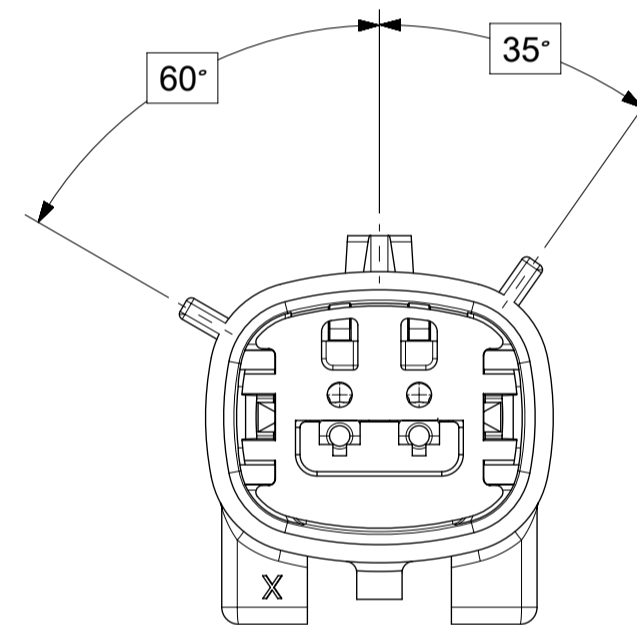
SHEET DESCRIPTION
KEY CONFIGURATIONS



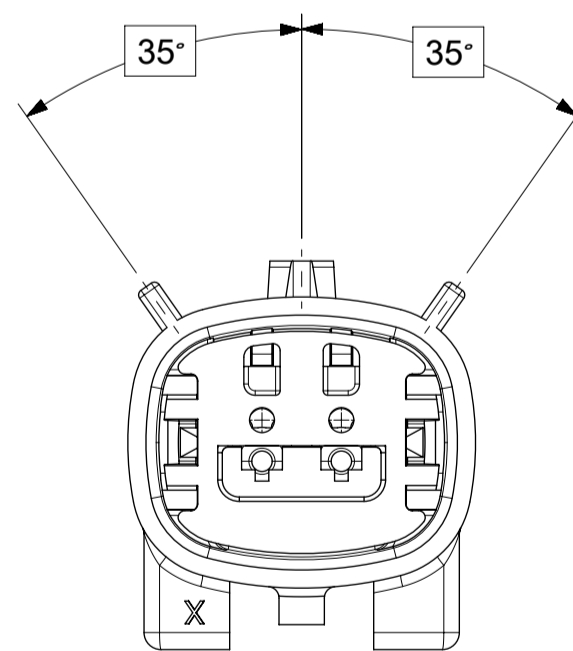
KEY A



KEY B



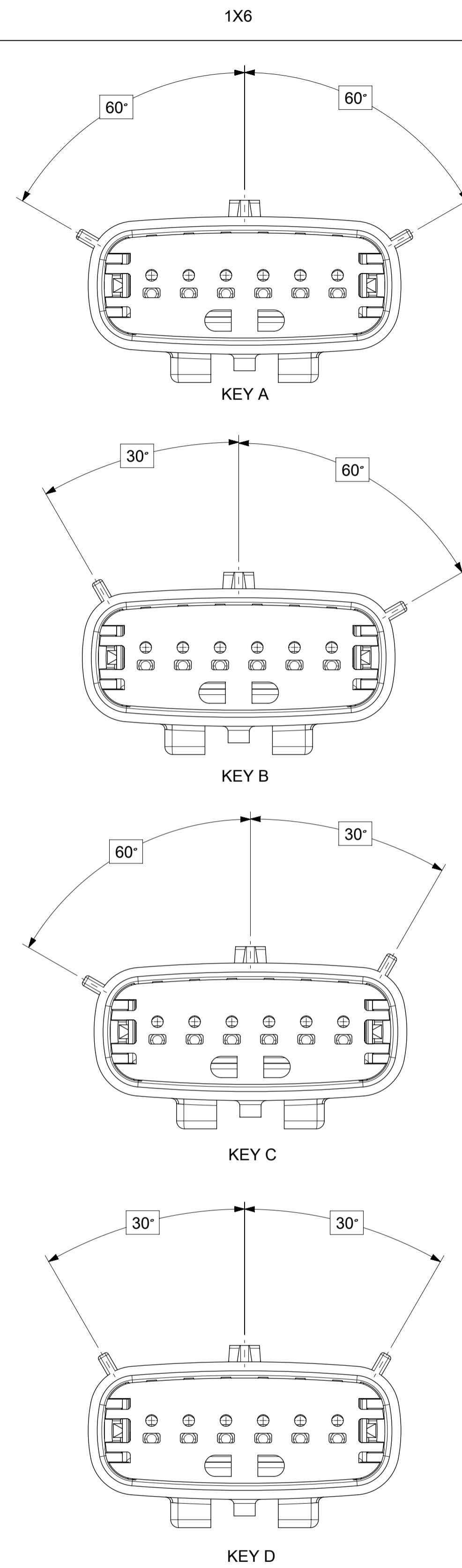
KEY C



KEY D

SYMBOLS = 0 = 0 = 0 = 0 = 0 = 0 = 0 = 0 = 0 = 0	THIS DRAWING CONTAINS INFORMATION THAT IS PROPRIETARY TO MOLEX ELECTRONIC TECHNOLOGIES, LLC AND SHOULD NOT BE USED WITHOUT WRITTEN PERMISSION		CURRENT REV DESC:		 MX150 BLADE SINGLE ROW SEALED ASSY MAT SEAL		
	DIMENSION UNITS	SCALE	EC NO: 602373				
	MM ONLY	3:1	DRWN: DSHETTY01 2018/05/25		SD-33481-0001	PSD	001
	GENERAL TOLERANCES (UNLESS SPECIFIED)		CHK'D: MVANSLAMBROU 2018/10/04		REVISION		
	ANGULAR TOL ± 1.0°		APPR: MVANSLAMBROU 2018/10/04		A1		
	4 PLACES ±		INITIAL REVISION:		MATERIAL NUMBER		
	3 PLACES ±		DRWN: APROFFITT 2015/07/21		SEE NOTE 2a.		
	2 PLACES ± 0.1		APPR: KDEKOSKI 2016/06/14		CUSTOMER		
	1 PLACE ± 0.2		DRAWING		GENERAL MARKET		
	0 PLACES ±		SERIES		SHEET NUMBER		
DRAFT WHERE APPLICABLE MUST REMAIN WITHIN DIMENSIONS		THIRD ANGLE PROJECTION		A1-SIZE		33481	
		DRAWING		3 OF 9			

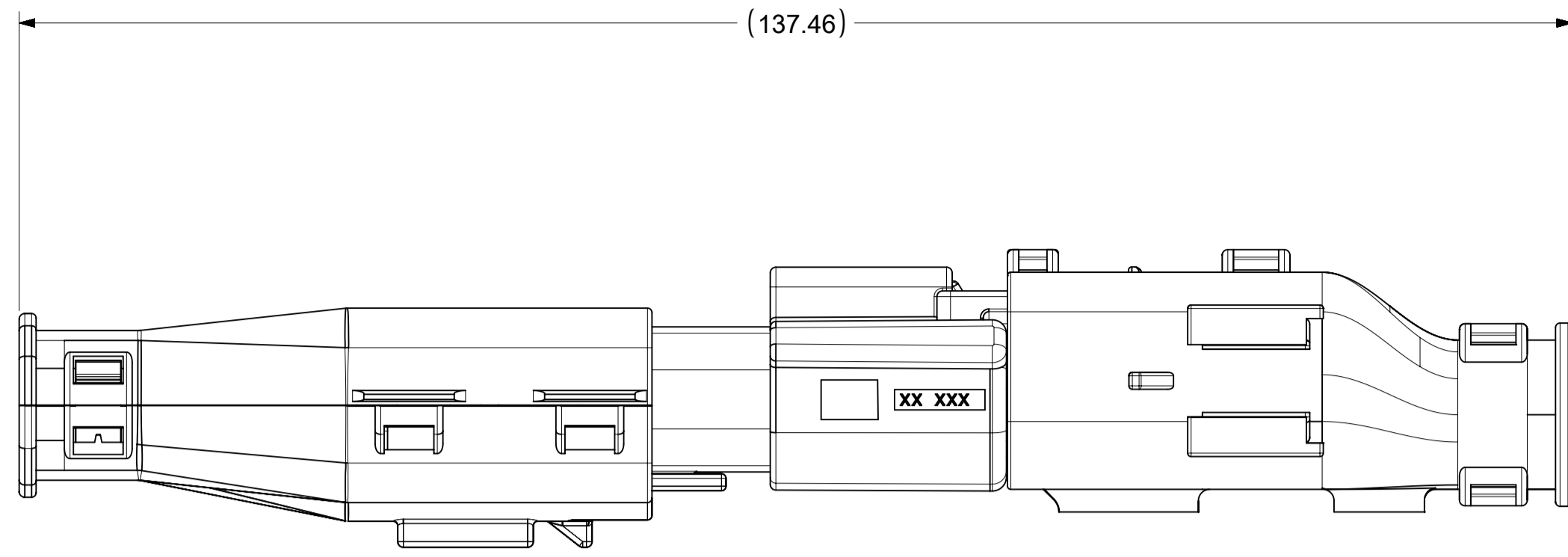
SHEET DESCRIPTION
KEY CONFIGURATIONS CONT.



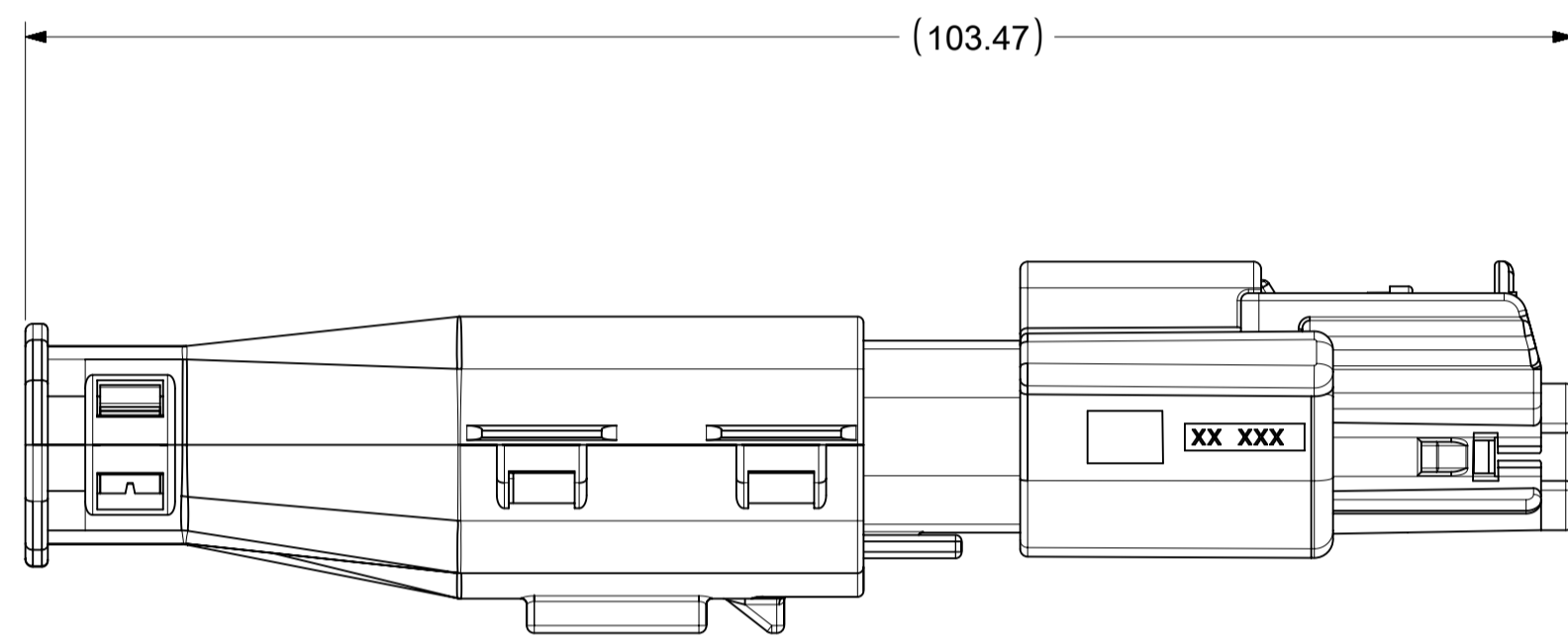
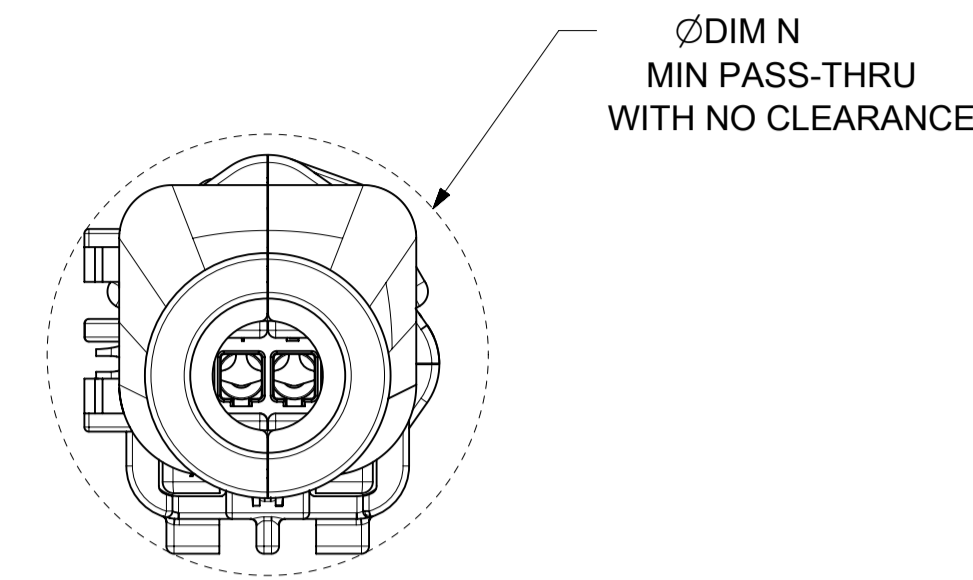
SYMBOLS = 0 = 0 = 0 = 0 = 0 = 0 = 0 = 0 = 0 = 0	THIS DRAWING CONTAINS INFORMATION THAT IS PROPRIETARY TO MOLEX ELECTRONIC TECHNOLOGIES, LLC AND SHOULD NOT BE USED WITHOUT WRITTEN PERMISSION DIMENSION UNITS: MM ONLY SCALE: 3:1	CURRENT REV DESC: EC NO: 602373 DRWN: DSHETTY01 2018/05/25 CHK'D: MVANSLAMBROU 2018/10/04 APPR: MVANSLAMBROU 2018/10/04	 MX150 BLADE SINGLE ROW SEALED ASSY MAT SEAL		
	GENERAL TOLERANCES (UNLESS SPECIFIED) ANGULAR TOL ± 1.0° 4 PLACES ± 3 PLACES ± 2 PLACES ± 0.1 1 PLACE ± 0.2 0 PLACES ±	INITIAL REVISION: DRWN: APROFFITT 2015/07/21 APPR: KDEKOSKI 2016/06/14	PRODUCT CUSTOMER DRAWING DOCUMENT NUMBER: SD-33481-0001 DOC TYPE: PSD DOC PART: 001 REVISION: A1	MATERIAL NUMBER: SEE NOTE 2a. CUSTOMER: GENERAL MARKET SHEET NUMBER: 4 OF 9	
DRAFT WHERE APPLICABLE MUST REMAIN WITHIN DIMENSIONS THIRD ANGLE PROJECTION DRAWING: A1-SIZE SERIES: 33481					

SHEET DESCRIPTION
BACKSHELL CONFIGURATIONS

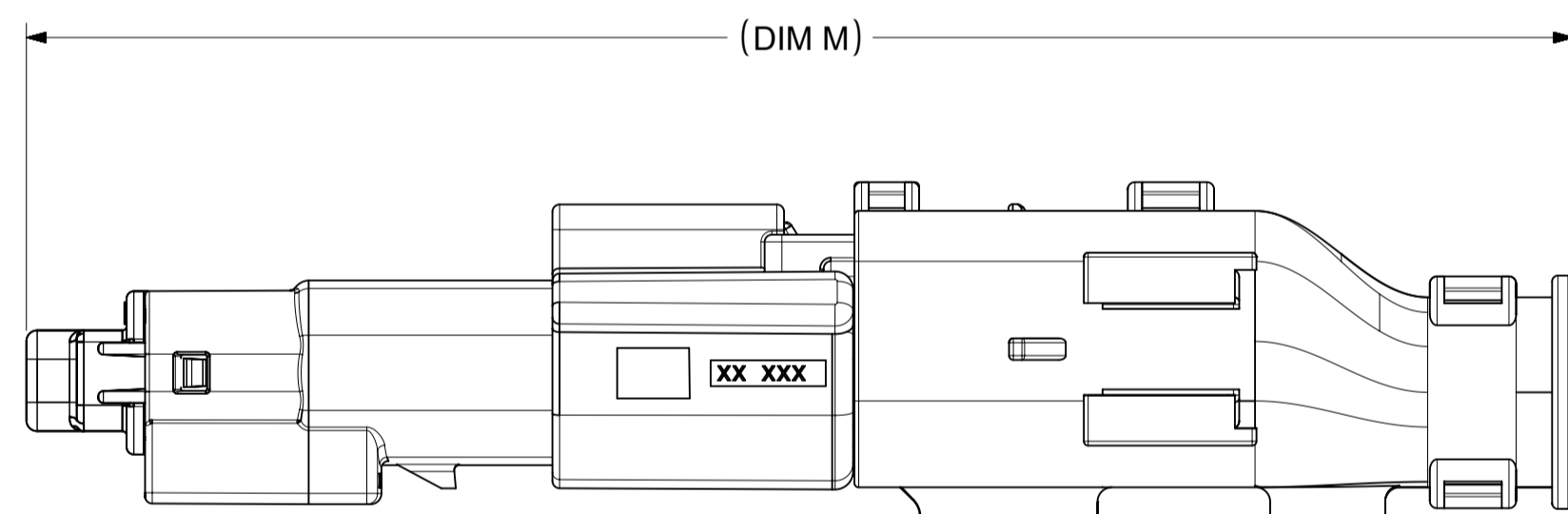
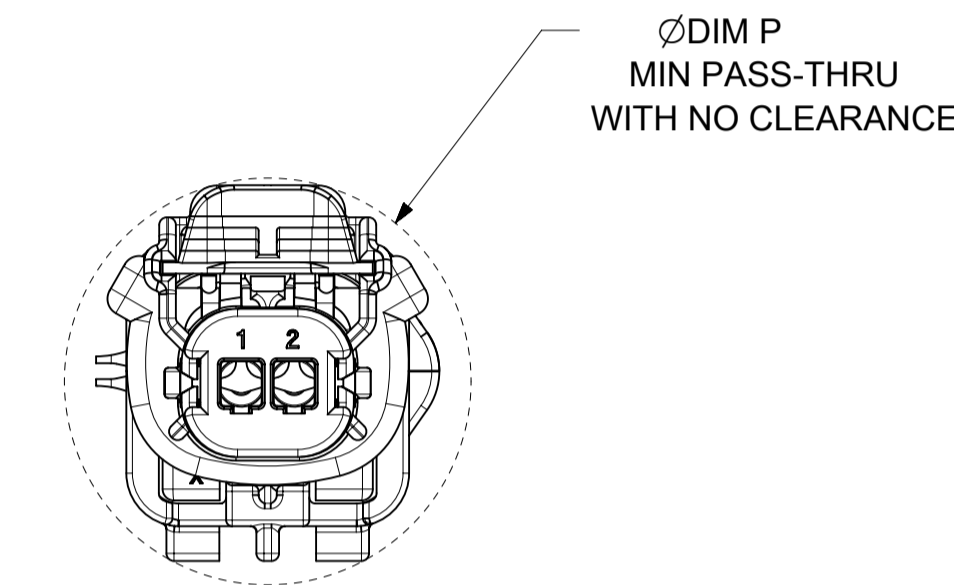
CKT	BLADE CONFIGURATION	RECEPTACLE CONFIGURATION	DIMENSIONS				
			M	N	P	R	S
1X2	STANDARD	STANDARD	107.84	29.50	27.00	26.25	25.00



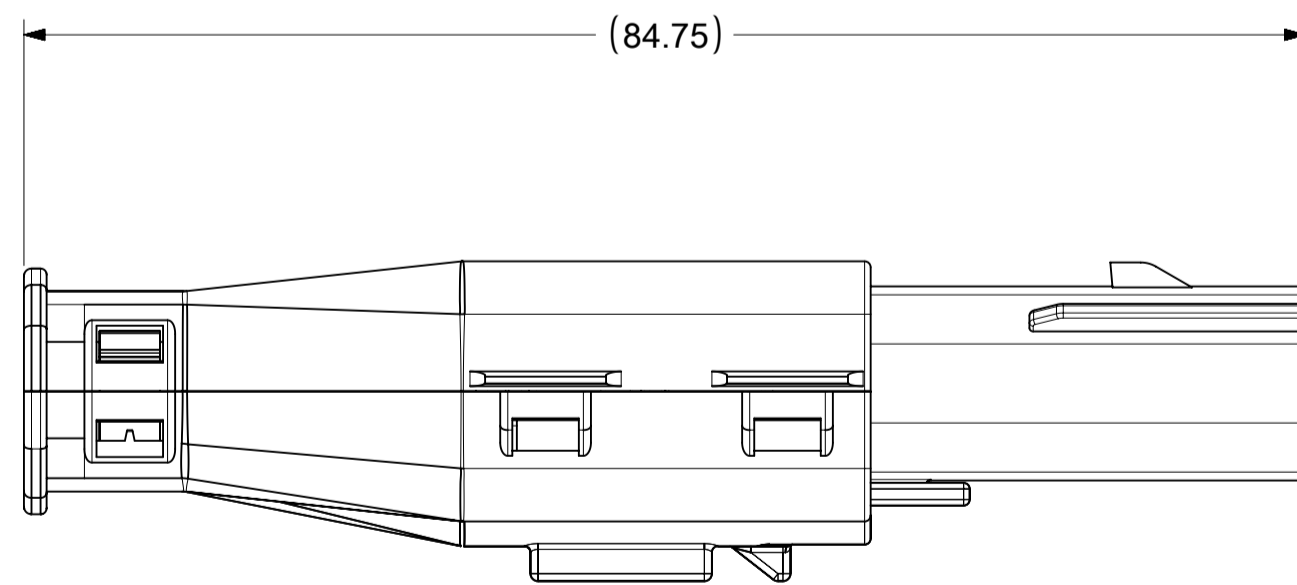
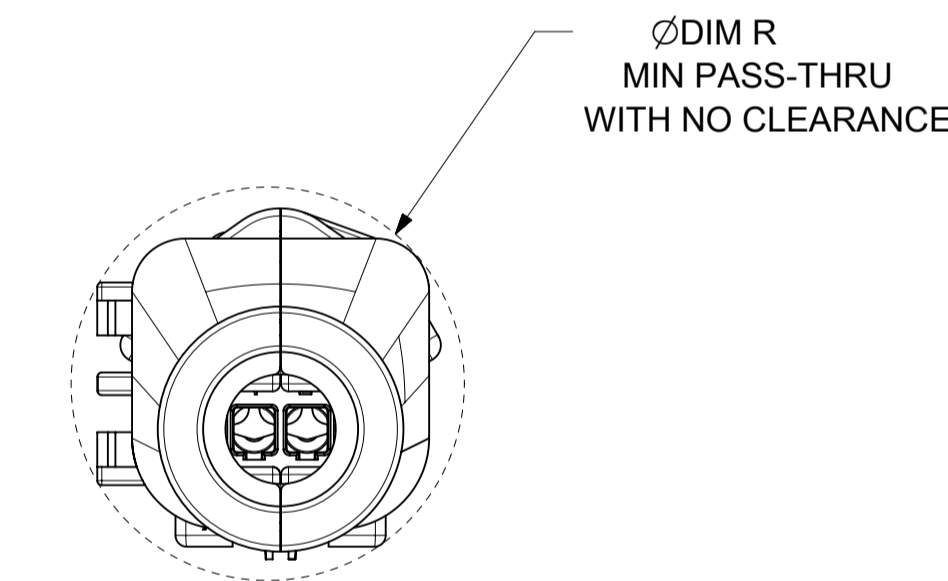
OVERALL MATED SYSTEM WITH BLADE AND RECEPTACLE BACKSHELL



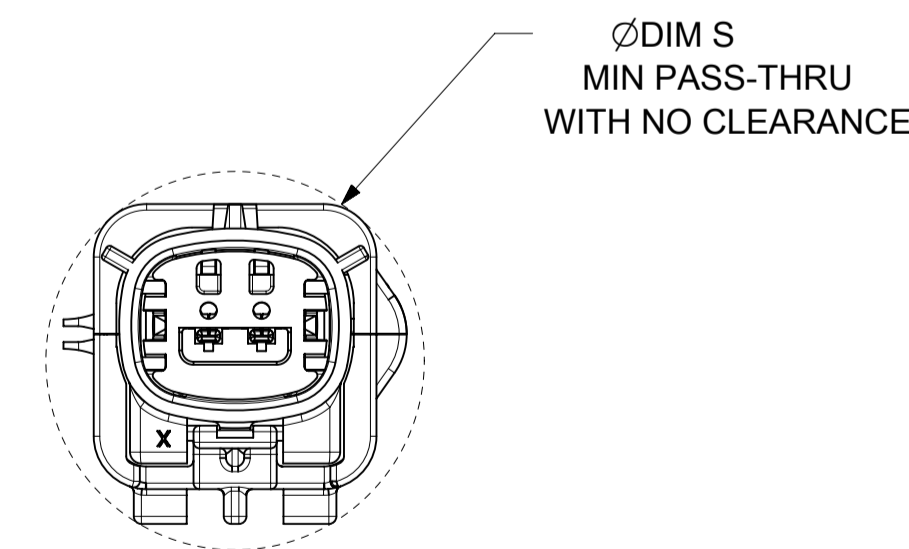
OVERALL MATED SYSTEM WITH BLADE BACKSHELL



OVERALL MATED SYSTEM WITH RECEPTACLE BACKSHELL



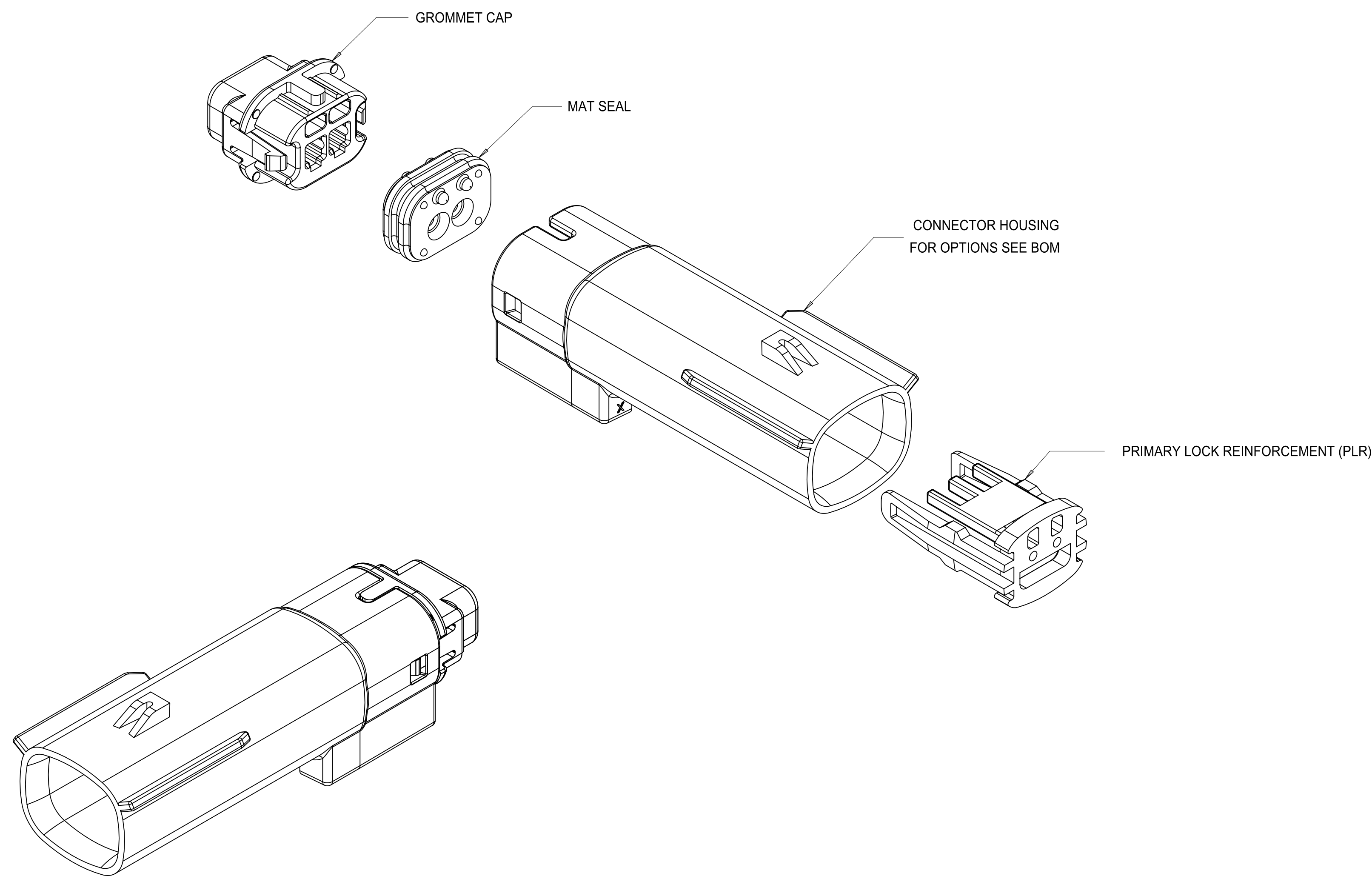
BLADE SEALED ASSEMBLY WITH BLADE BACKSHELL



SYMBOLS = 0 = 0 = 0 = 0 = 0 = 0 = 0 = 0 = 0 = 0	THIS DRAWING CONTAINS INFORMATION THAT IS PROPRIETARY TO MOLEX ELECTRONIC TECHNOLOGIES, LLC AND SHOULD NOT BE USED WITHOUT WRITTEN PERMISSION DIMENSION UNITS: MM ONLY SCALE: 2:1	CURRENT REV DESC: EC NO: 602373 DRWN: DSHETTY01 2018/05/25 CHK'D: MVANSLAMBROU 2018/10/04 APPR: MVANSLAMBROU 2018/10/04	 MX150 BLADE SINGLE ROW SEALED ASSY MAT SEAL		
	GENERAL TOLERANCES (UNLESS SPECIFIED) ANGULAR TOL ± 1.0° 4 PLACES ± 3 PLACES ± 2 PLACES ± 0.1 1 PLACE ± 0.2 0 PLACES ±	INITIAL REVISION: DRWN: APROFFITT 2015/07/21 APPR: KDEKOSKI 2016/06/14	PRODUCT CUSTOMER DRAWING DOCUMENT NUMBER: SD-33481-0001 DOC TYPE: PSD DOC PART: 001 REVISION: A1		
DRAFT WHERE APPLICABLE MUST REMAIN WITHIN DIMENSIONS	THIRD ANGLE PROJECTION	DRAWING: A1-SIZE SERIES: 33481	MATERIAL NUMBER: SEE NOTE 2a. CUSTOMER: GENERAL MARKET	SHEET NUMBER: 9 OF 9	

TABLE OF CONTENTS

SHEET NO.	SHEET DESCRIPTION
1	NOTES
2	KEY CONFIGURATIONS
3	BLADE SEALED ASSEMBLY
4	SYSTEM PACKAGING
5	BACKSHELL NOTES
6	BACKSHELL
7	BACKSHELL CONFIGURATIONS
8-9	BOM



NOTES: VALID UNLESS OTHERWISE SPECIFIED

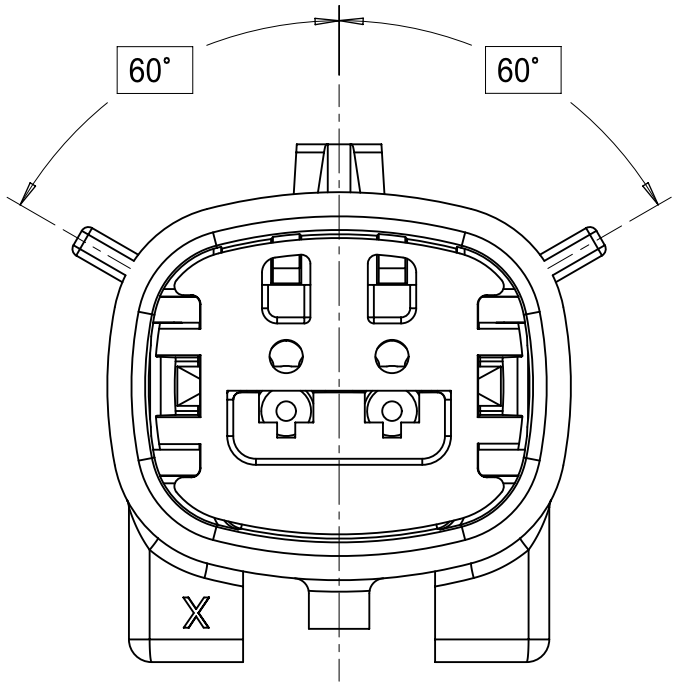
1. GENERAL:
 - a. APPLICATION SPECIFICATION SEE: AS-33472-100
CONTAINS: PRODUCT INTRODUCTION, PRODUCT SUMMARY, CONNECTOR ASSEMBLY, PACKAGING INFORMATION, CONNECTOR MATING, SERVICE INSTRUCTIONS, ELECTRICAL CONTINUITY CHECKING, CRIMPING, AND TROUBLESHOOTING.
-DESIGNED TO MATE WITH RECEPTACLE SEALED ASSEMBLY SPECIFIED IN MOLEX DRAWING SD-33471-021.
-FOR 1.5mm BLADE TERMINALS TO BE USED WITH THIS ASSEMBLY SEE MOLEX DRAWING SD-33000-001.
- SYSTEM TO BE USED WITH WIRE WITH DIAMETER RANGE OF 1.2mm TO 2.69mm.
-ASSEMBLY SHIPPED WITH PLR IN PRE-LOCK POSITION
-IN THE EVENT THAT THE PLR IS FOUND IN THE SEATED (FINAL LOCK) POSITION, REFER TO MOLEX SPECIFICATION PS-34646-001, AVAILABLE AT www.molex.com <<http://www.molex.com>>
-ASSEMBLY CONFORMS TO SAE/USCAR-2 REV.4 WITH THE FOLLOWING EXCEPTIONS:
TERMINAL INSERTION FORCE FOR WIRE DIAMETER ABOVE 2.5mm NOT EXCEEDING 2.69mm SHALL NOT EXCEED 40 NEWTONS.
 - b. PRODUCT SPECIFICATION SEE: PS-33471-000
CONTAINS: PRODUCT INTRODUCTION, PRODUCT SUMMARY, RATINGS (CURRENT, TEMPERATURE, SEALING, AND FLAMMABILITY), AND PRODUCT VALIDATION.
 - c. PACKAGING SPECIFICATION PER MOLEX DRAWING: PK-31300-635
 - d. PARTS MUST BE IN COMPLIANCE TO MOLEX CHEMICAL SUBSTANCES FOR PRODUCTS AND PACKAGING SPECIFICATION: ES-40000-5016
 - e. DATA MUST BE SUBMITTED UNDER THE MOLEX PART NUMBER TO IMDS (COMPANY ID#13255)
2. DESIGN - MATERIALS:
 - a. SEE BOM TABLE
3. DESIGN - GEOMETRY:
 - a. THIS IS A 100% CAD GENERATED PART. THE CAD MATHEMATICAL DATA IS THE MASTER FOR THIS PART. FOR DIMENSIONAL OR ANY INFORMATION NOT SHOWN ON THIS DRAWING, ANALYZE THE CAD MODEL.
 - b. GEOMETRIC DIMENSIONS AND TOLERANCES PER ASME Y14.5M - 1994
 - c. EDGES AND UNDIMENSIONED DETAILS PER ISO13715
 - d. CORNERS SHOWN AS SHARP TO BE R 0.2 MAX.
 - e. LETTERING SHALL BE 0.15 MAX RAISED IN 0.25 MAX RECESS PAD.
THIS INCLUDES RECYCLING CODE, CAVITY ID, VENDOR IDENTIFICATION, AND CUSTOMER MATERIAL NUMBER.
 - f. VISUAL DEFECTS SHALL MEET COSMETIC STANDARD PS-45499-002 (Class B)
 - g. LASER MARKING: TBD

A14	UPDATED THE STATUS OF P/Ns ON SHEET 8 (33481-02XX) TO OBSOLETE PER PCN 512135
A13	UPDATED STATUS IN BOM
A12	ADD NEW P/N 33481-2201 TO 33481-2210
A10	ADD NEW P/N 33481-0210
A9	UPDATED VIEWSET & NOTES
A8	RENAMED BACKSHELLS
A7	REMOVED DIMENSION 57
A6	UPDATED NOTES
A5	UPDATED P/N ORDER IN BOM
A4	REDRAWN, ADDED BACKSHELL
REV	DESCRIPTION

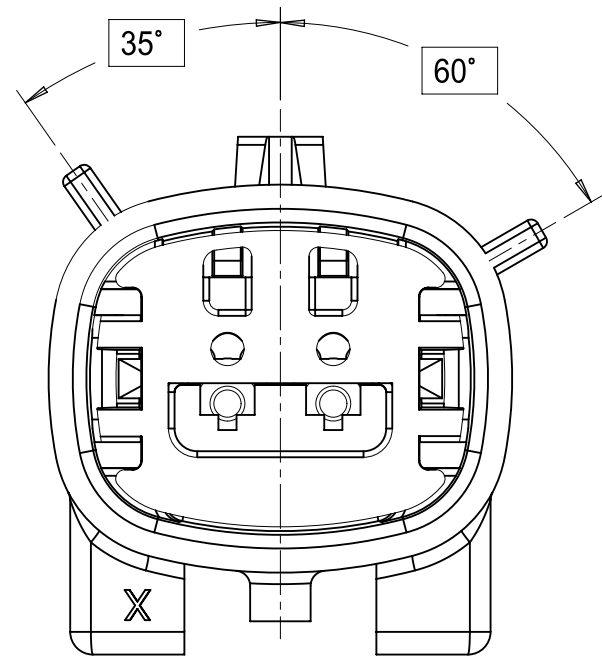
INSPECTION LOG
LAST NUMBER USED: 57
ADDED:
REMOVED:

THIS DRAWING CONTAINS INFORMATION THAT IS PROPRIETARY TO MOLEX ELECTRONIC TECHNOLOGIES, LLC AND SHOULD NOT BE USED WITHOUT WRITTEN PERMISSION									
DIMENSION UNITS	SCALE	CURRENT REV DESC: SEE REVISION TABLE							
mm	3:1	<div style="text-align: center;">molex</div> <p>MX150 1X2 BLADE SEALED ASSEMBLY MAT SEAL</p> <p>PRODUCT SALES DRAWING</p>							
GENERAL TOLERANCES (UNLESS SPECIFIED)									
ANGULAR TOL	± 3°								
4 PLACES	± 0								
3 PLACES	± 0								
2 PLACES	± 0.1								
1 PLACE	± 0.2	EC NO: CO-000001228	21-Jul-2022	<div style="text-align: center;">SD-33481-021</div>					
0 PLACES	± 0	DRWN: MattYoung	01-Aug-2022						
DRAFT WHERE APPLICABLE MUST REMAIN WITHIN DIMENSIONS		CHK'D: Joe Fox	02-Aug-2022						
THIRD ANGLE PROJECTION		APPR: Katy Boruszewski							
DRAWING		SERIES		MATERIAL NUMBER	CUSTOMER	DOC TYPE		DOC PART	REVISION
D-SIZE		33481		SEE BOM	GENERAL MARKET	PSD		001	A14
SHEET NUMBER		1 OF 9							

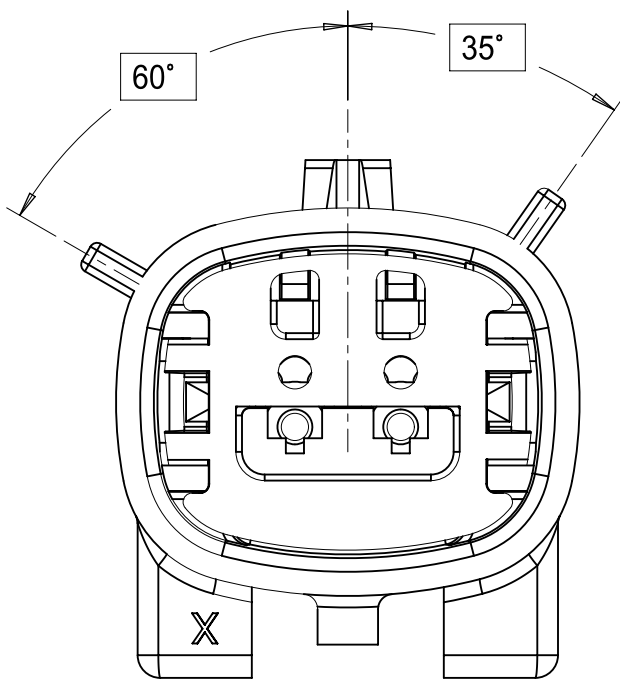
KEY CONFIGURATIONS



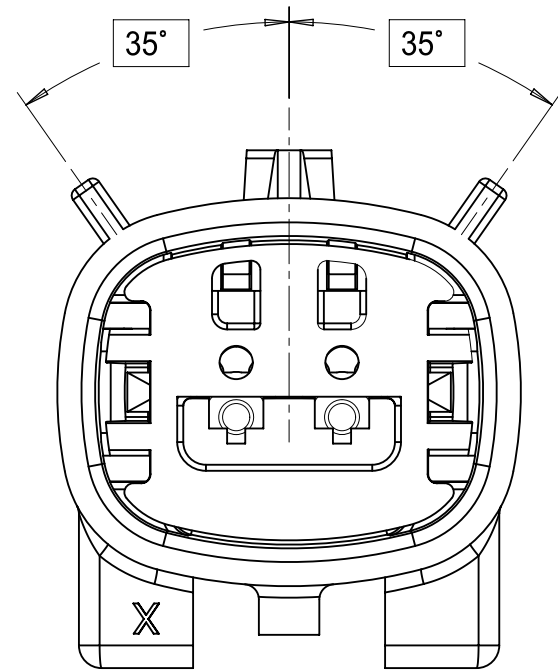
KEY A



KEY B



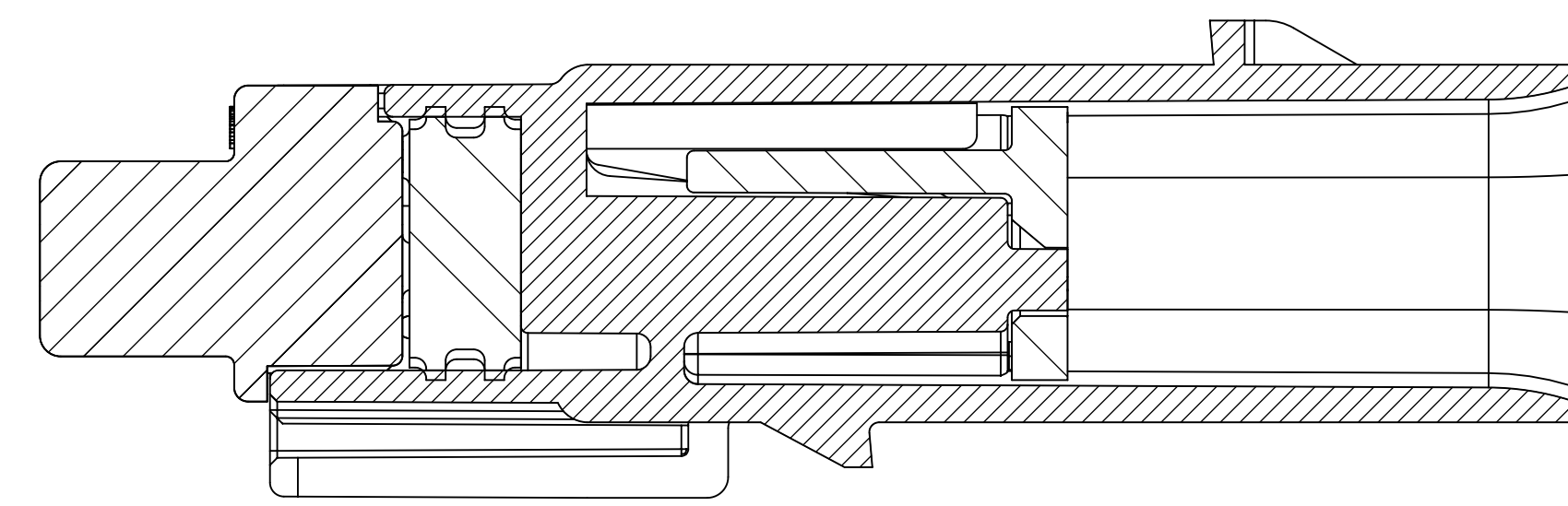
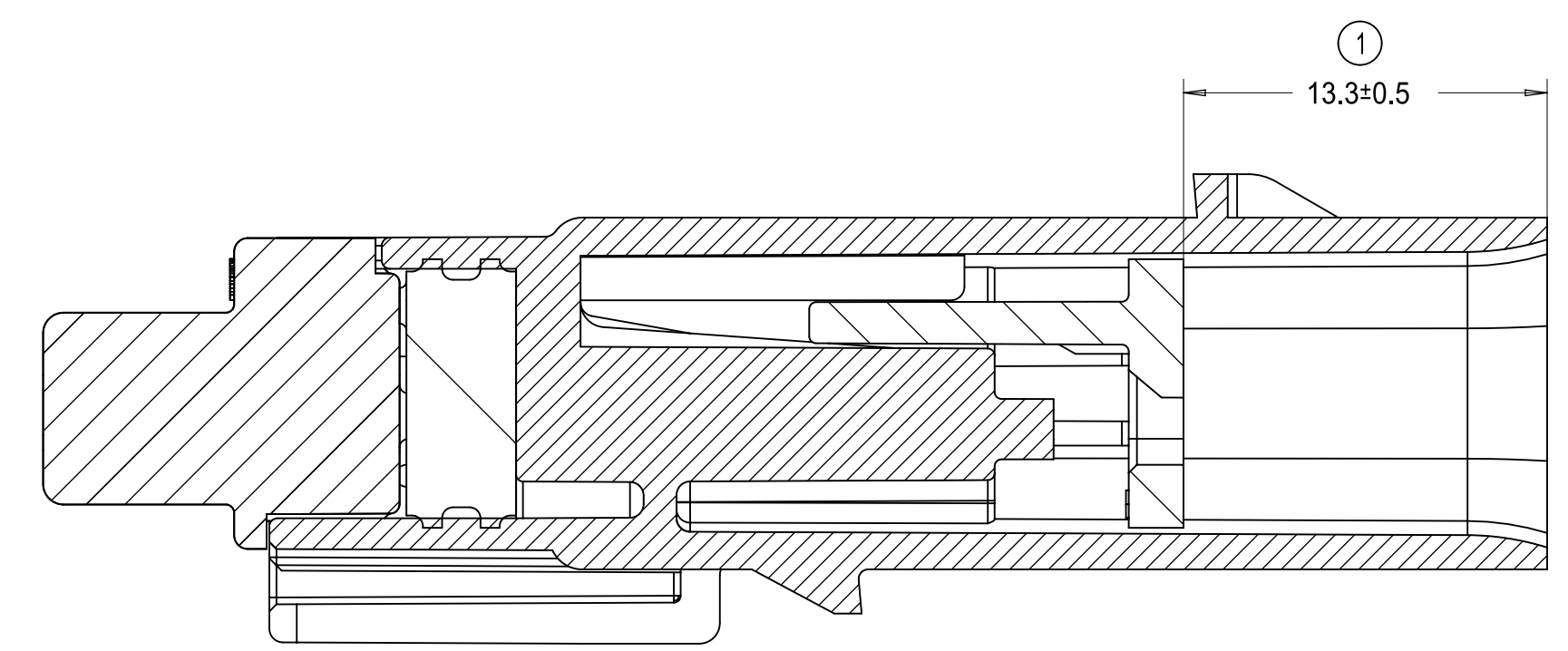
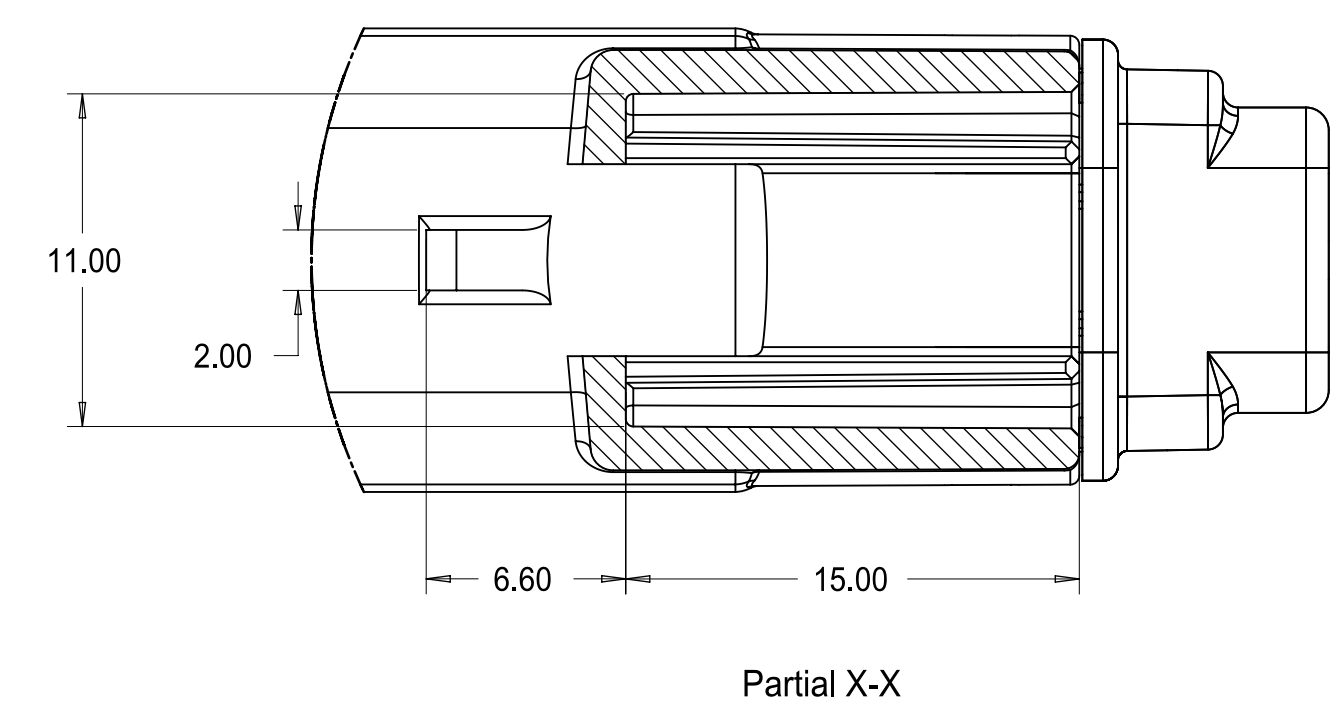
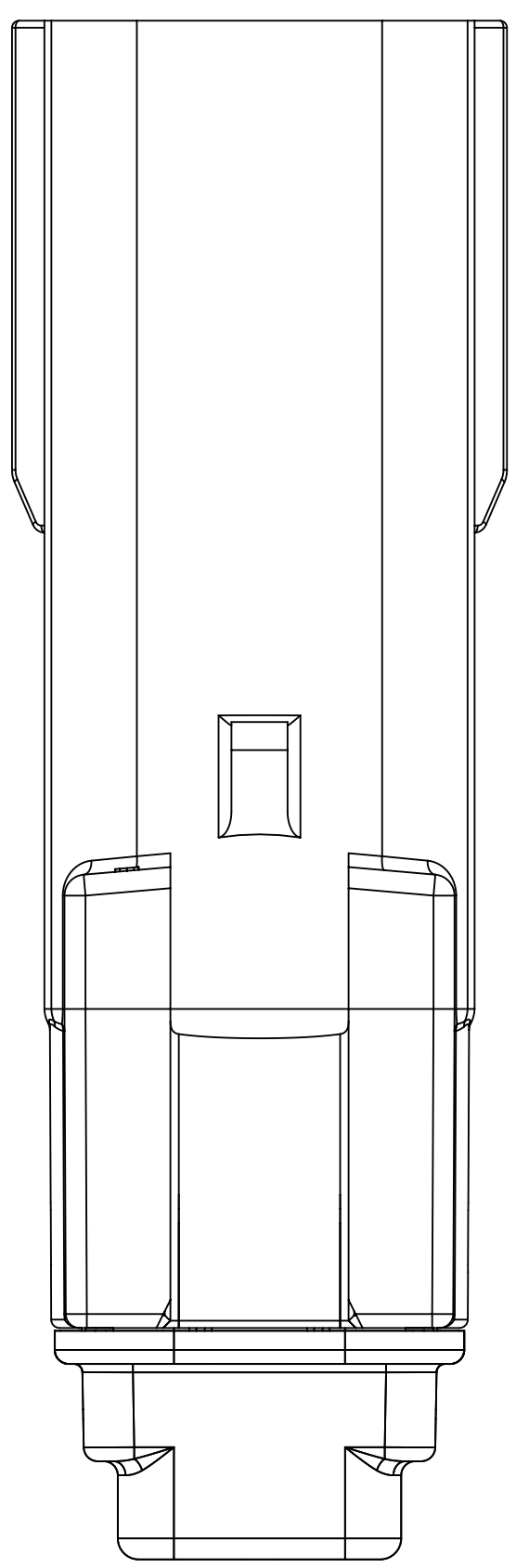
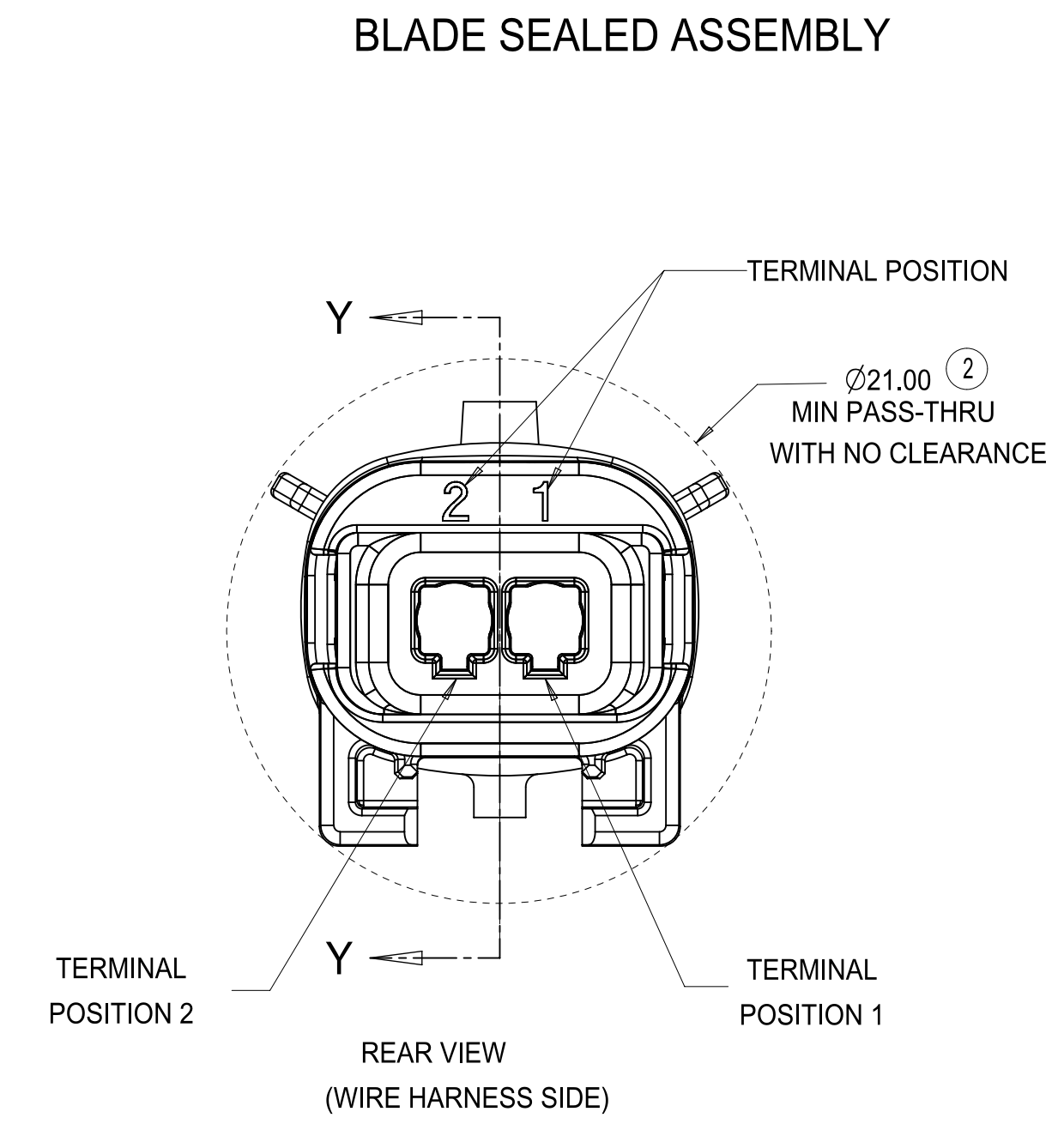
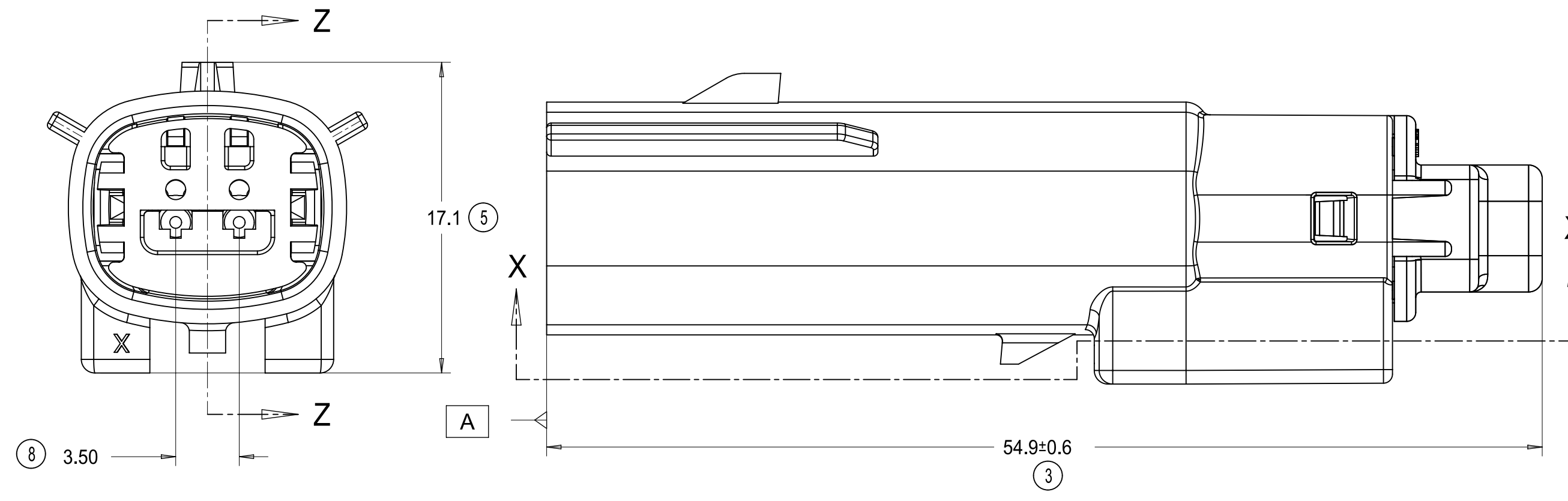
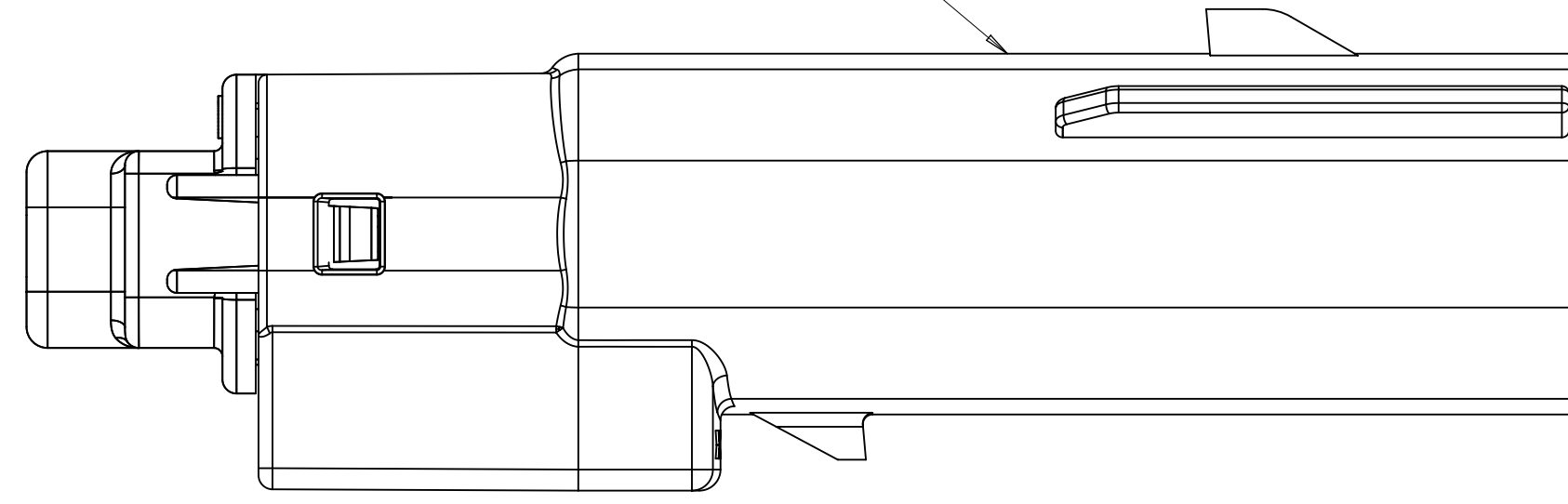
KEY C



KEY D

THIS DRAWING CONTAINS INFORMATION THAT IS PROPRIETARY TO MOLEX ELECTRONIC TECHNOLOGIES, LLC AND SHOULD NOT BE USED WITHOUT WRITTEN PERMISSION									
DIMENSION UNITS		SCALE		CURRENT REV DESC: SEE REVISION TABLE					
mm		4:1							
GENERAL TOLERANCES (UNLESS SPECIFIED)				EC NO: CO-000001228					
ANGULAR TOL ± 3°				DRWN: MattYoung		21-Jul-2022		MX150 1X2 BLADE SEALED ASSEMBLY MAT SEAL	
4 PLACES ± 0				CHK'D: Joe Fox		01-Aug-2022		PRODUCT SALES DRAWING	
3 PLACES ± 0.1				APPR: Katy Borszewski		02-Aug-2022		DOCUMENT NUMBER	
2 PLACES ± 0.2				INITIAL REVISION:				SD-33481-021	
1 PLACE ± 0				DRWN: RFC_PLMIMP				DOC TYPE	
0 PLACES ± 0				APPR:				PSD	
DRAFT WHERE APPLICABLE MUST REMAIN WITHIN DIMENSIONS				THIRD ANGLE PROJECTION		DRAWING		DOC PART	
						D-SIZE		001	
				SERIES		MATERIAL NUMBER		REVISION	
				33481		SEE BOM		A14	
				CUSTOMER		GENERAL MARKET		SHEET NUMBER	
								2 OF 9	

OPTIONAL LASER MARKING ON THIS SURFACE SEE NOTE 3g



PRIMARY LOCK REINFORCEMENT (PLR) SHOWN IN PRE-STAGED POSITION

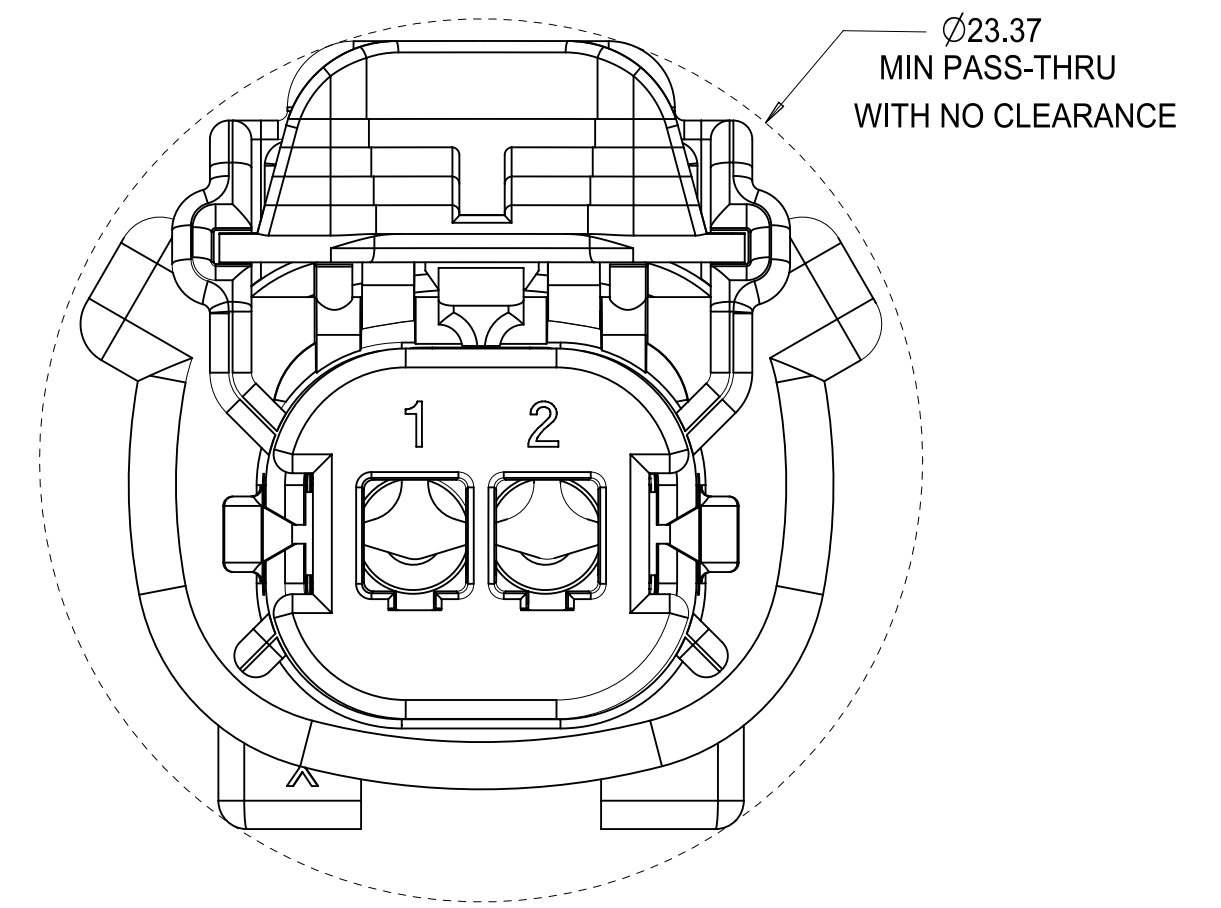
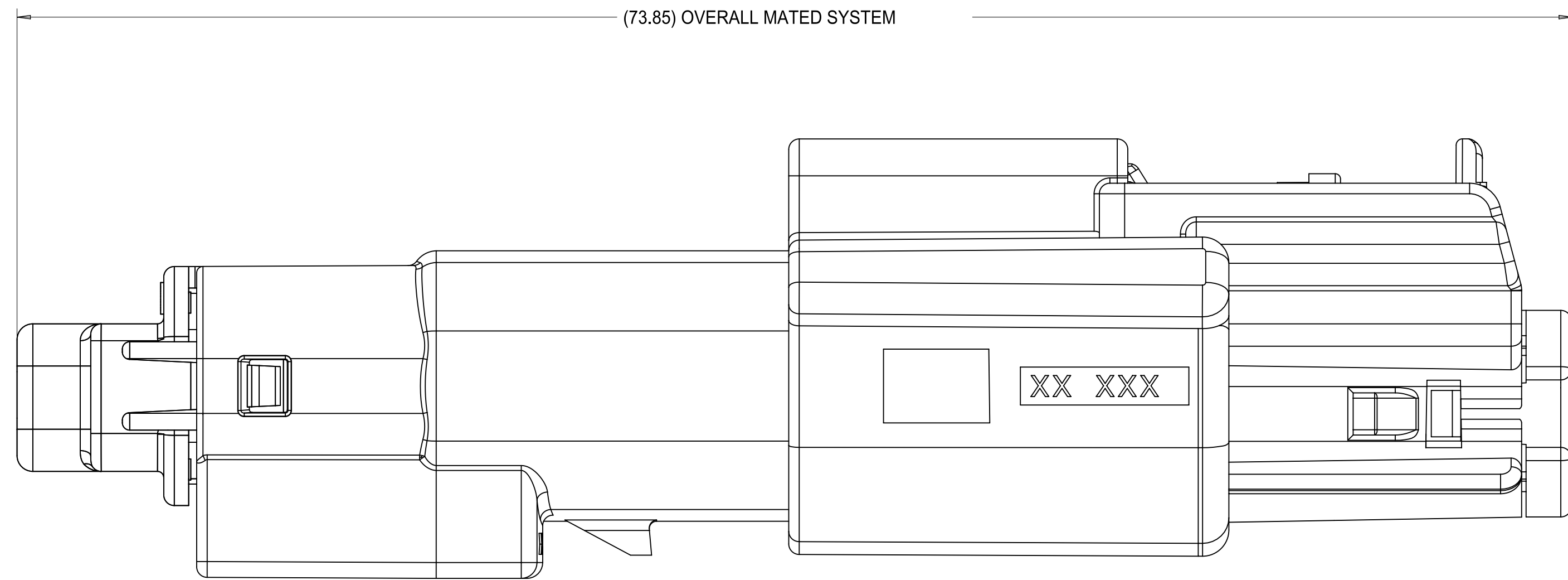
SECTION Z-Z

PRIMARY LOCK REINFORCEMENT (PLR) SHOWN IN FINAL-LOCK POSITION

SECTION Y-Y

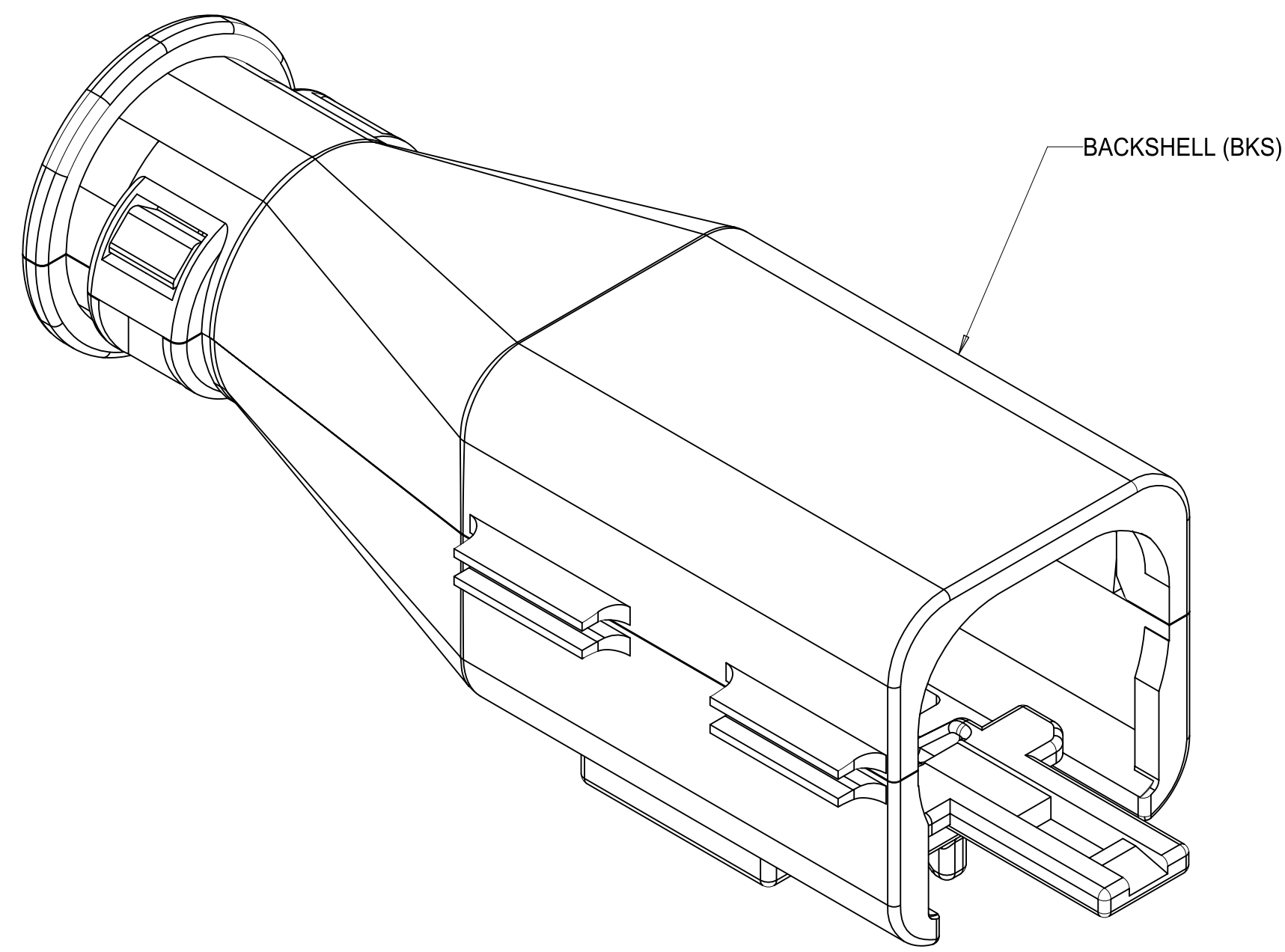
THIS DRAWING CONTAINS INFORMATION THAT IS PROPRIETARY TO MOLEX ELECTRONIC TECHNOLOGIES, LLC AND SHOULD NOT BE USED WITHOUT WRITTEN PERMISSION										
DIMENSION UNITS		SCALE		CURRENT REV DESC: SEE REVISION TABLE						
mm		4:1		<p>molex</p> <p>MX150 1X2 BLADE SEALED ASSEMBLY MAT SEAL</p> <p>PRODUCT SALES DRAWING</p> <p>EC NO: CO-000001228 DRWN: MattYoung 21-Jul-2022</p> <p>CHK'D: Joe Fox 01-Aug-2022</p> <p>APPR: Katy Boruszewski 02-Aug-2022</p> <p>INITIAL REVISION: DRWN: RFC_PLMIMP APPR:</p>						
GENERAL TOLERANCES (UNLESS SPECIFIED)										
ANGULAR TOL ± 3°										
4 PLACES ± 0										
3 PLACES ± 0										
2 PLACES ± 0.1										
1 PLACE ± 0.2				DOCUMENT NUMBER		DOC TYPE		DOC PART		
0 PLACES ± 0				SD-33481-021		PSD		001 A14		
DRAFT WHERE APPLICABLE MUST REMAIN WITHIN DIMENSIONS			THIRD ANGLE PROJECTION		DRAWING		SERIES		SHEET NUMBER	
					D-SIZE		33481		3 OF 9	
MATERIAL NUMBER		CUSTOMER		SEE BOM		GENERAL MARKET				

SYSTEM PACKAGING

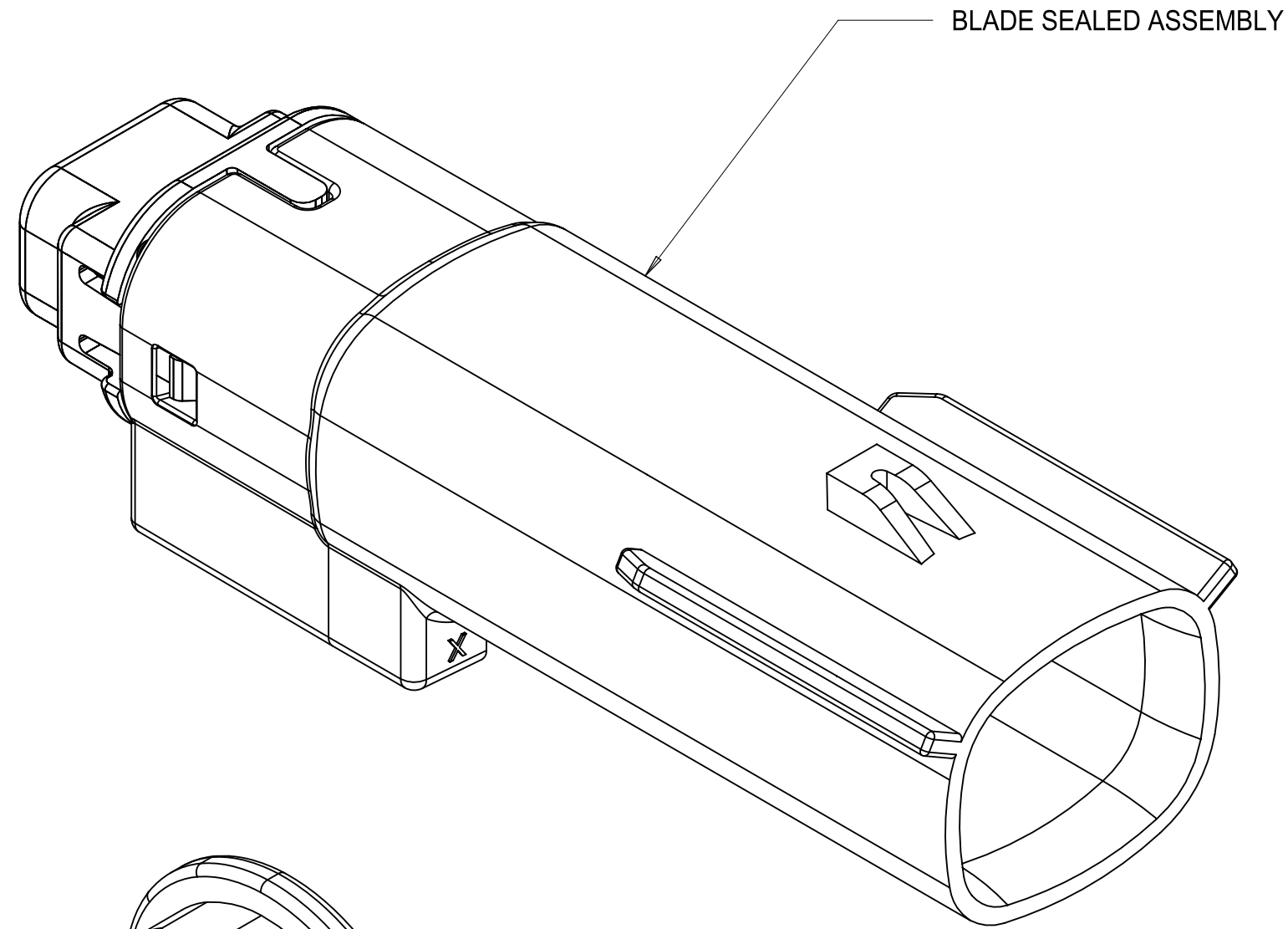


THIS DRAWING CONTAINS INFORMATION THAT IS PROPRIETARY TO MOLEX ELECTRONIC TECHNOLOGIES, LLC AND SHOULD NOT BE USED WITHOUT WRITTEN PERMISSION									
DIMENSION UNITS	SCALE	CURRENT REV DESC: SEE REVISION TABLE							
mm	1:1								
GENERAL TOLERANCES (UNLESS SPECIFIED)		EC NO: CO-000001228			MX150 1X2 BLADE SEALED ASSEMBLY MAT SEAL PRODUCT SALES DRAWING				
ANGULAR TOL	± 3°	DRWN: MattYoung 21-Jul-2022							
4 PLACES	± 0	CHK'D: Joe Fox 01-Aug-2022			DOCUMENT NUMBER				
3 PLACES	± 0	APPR: Katy Boruszewski 02-Aug-2022			DOC TYPE DOC PART REVISION				
2 PLACES	± 0.1	INITIAL REVISION:			SD-33481-021 PSD 001 A14				
1 PLACE	± 0.2	DRWN: RFC_PLMIMP			MATERIAL NUMBER				
0 PLACES	± 0	APPR:			CUSTOMER				
DRAFT WHERE APPLICABLE MUST REMAIN WITHIN DIMENSIONS		THIRD ANGLE PROJECTION	DRAWING	SERIES	SHEET NUMBER		SHEET NUMBER		
			D-SIZE	33481	SEE BOM		GENERAL MARKET		
					4 OF 9				

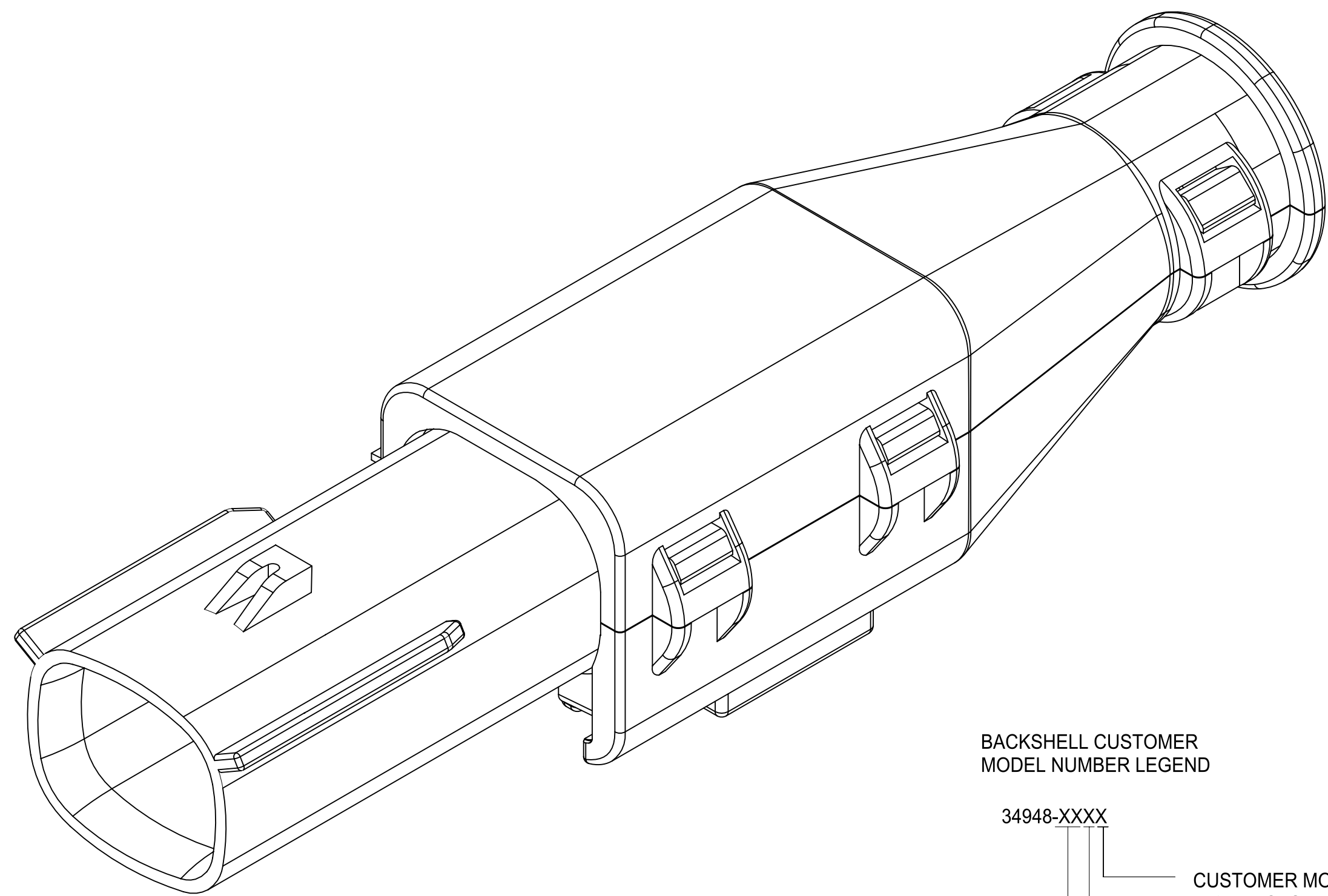
BACKSHELL NOTES



BACKSHELL (BKS)



BLADE SEALED ASSEMBLY



BACKSHELL CUSTOMER MODEL NUMBER LEGEND

34948-XXXX

- CUSTOMER MODEL COMPONENTS
- 0 - BACKSHELL ONLY
 - 1 - BACKSHELL & MX150 HOUSING KEY A ASSEMBLY
 - 2 - BACKSHELL & MX150 HOUSING KEY B ASSEMBLY
 - 3 - BACKSHELL & MX150 HOUSING KEY C ASSEMBLY
 - 4 - BACKSHELL & MX150 HOUSING KEY D ASSEMBLY

- BACKSHELL FEATURES
- 1 - WITH RIBS
 - 2 - WITHOUT RIBS

MX150 CIRCUIT SIZE 02, 03, 04, 05, 06

BACKSHELL NOTES: VALID UNLESS OTHERWISE SPECIFIED

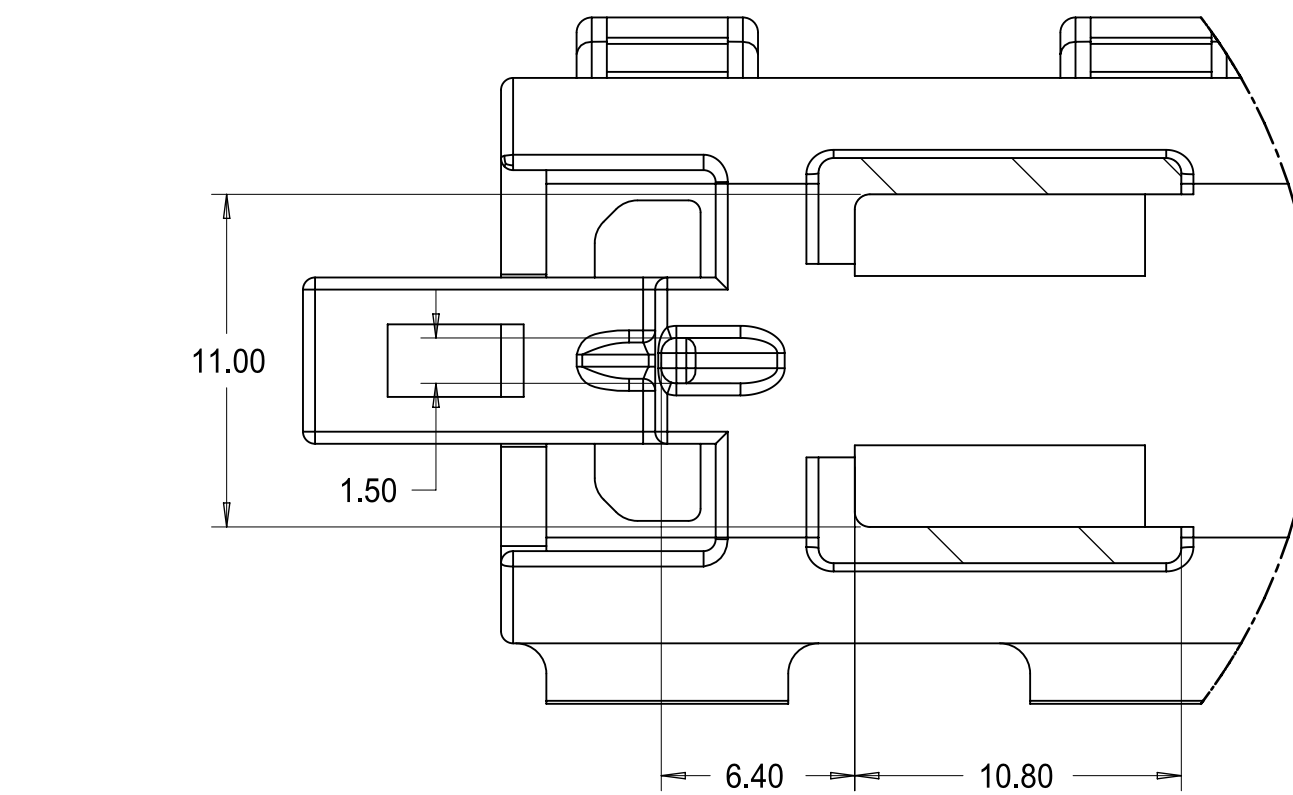
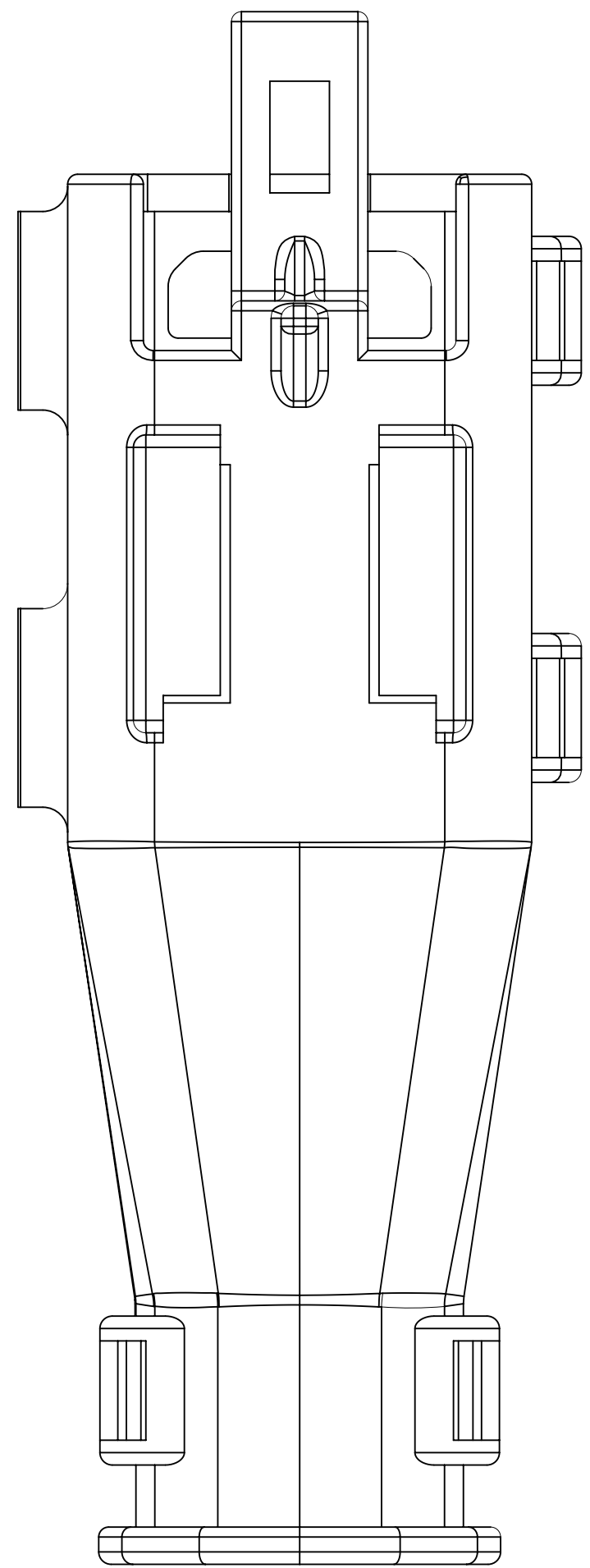
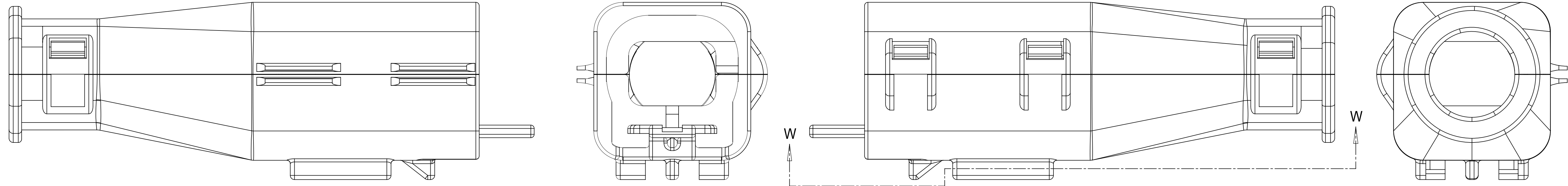
1. GENERAL:

- a. APPLICATION SPECIFICATION SEE: AS-34951-001
- DESIGNED TO MATE WITH RECEPTACLE SEALED ASSEMBLY SPECIFIED IN MOLEX DRAWING SD-33472-021.
- SYSTEM TO BE USED WITH WIRE WITHIN DIAMETER RANGE OF 1.2mm TO 2.69mm.
- COMPONENTS ARE OPTIONAL AND MUST BE PURCHASED SEPERATELY.
- BACKSHELL DESIGN IS OWNED BY SCHLEMMER.
- FOR ADDITIONAL INFORMATION SEE THE BACKSHELL COMPONENT DRAWING SD-34948-0001.

THIS DRAWING CONTAINS INFORMATION THAT IS PROPRIETARY TO MOLEX ELECTRONIC TECHNOLOGIES, LLC AND SHOULD NOT BE USED WITHOUT WRITTEN PERMISSION

DIMENSION UNITS	SCALE	CURRENT REV DESC: SEE REVISION TABLE				
mm	4:1					
GENERAL TOLERANCES (UNLESS SPECIFIED)		EC NO: CO-000001228		MX150 1X2 BLADE SEALED ASSEMBLY MAT SEAL		
ANGULAR TOL	± 3°	DRWN: MattYoung 21-Jul-2022		PRODUCT SALES DRAWING		
4 PLACES	± 0	CHK'D: Joe Fox 01-Aug-2022		DOCUMENT NUMBER		
3 PLACES	± 0	APPR: Katy Boruszewski 02-Aug-2022		SD-33481-021		
2 PLACES	± 0.1	INITIAL REVISION:		DOC TYPE	DOC PART	REVISION
1 PLACE	± 0.2	DRWN: RFC_PLMIMP		PSD	001	A14
0 PLACES	± 0	APPR:		SHEET NUMBER		
DRAFT WHERE APPLICABLE MUST REMAIN WITHIN DIMENSIONS		THIRD ANGLE PROJECTION	DRAWING	SERIES	MATERIAL NUMBER	CUSTOMER
			D-SIZE	33481	SEE BOM	GENERAL MARKET
						5 OF 9

BACKSHELL
 THE VIEWS ON THIS SHEET ARE
 IN THE CLOSED UN-ASSEMBLED POSITION



Partial W-W
 SCALE 4:1

THIS DRAWING CONTAINS INFORMATION THAT IS PROPRIETARY TO MOLEX ELECTRONIC TECHNOLOGIES, LLC AND SHOULD NOT BE USED WITHOUT WRITTEN PERMISSION

DIMENSION UNITS: mm
 SCALE: 4:1

GENERAL TOLERANCES (UNLESS SPECIFIED)

ANGULAR TOL	± 3°
4 PLACES	± 0
3 PLACES	± 0
2 PLACES	± 0.1
1 PLACE	± 0.2
0 PLACES	± 0

CURRENT REV DESC: SEE REVISION TABLE

EC NO: CO-000001228
 DRWN: MattYoung 21-Jul-2022
 CHK'D: Joe Fox 01-Aug-2022
 APPR: Katy Borszewski 02-Aug-2022

INITIAL REVISION:
 DRWN: RFC_PLMIMP
 APPR:

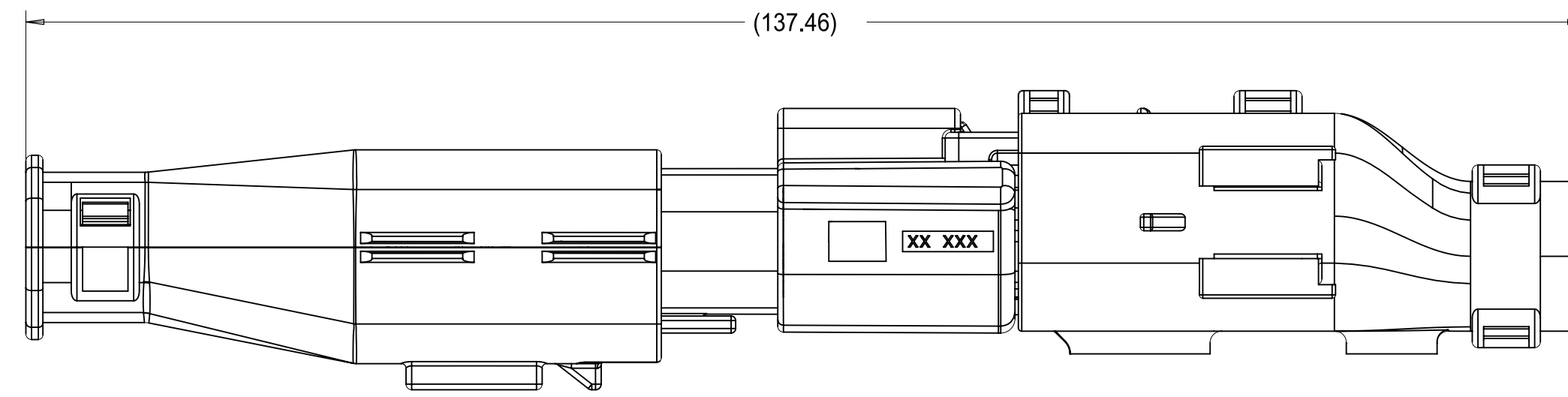
molex

MX150 1X2 BLADE
 SEALED ASSEMBLY MAT SEAL

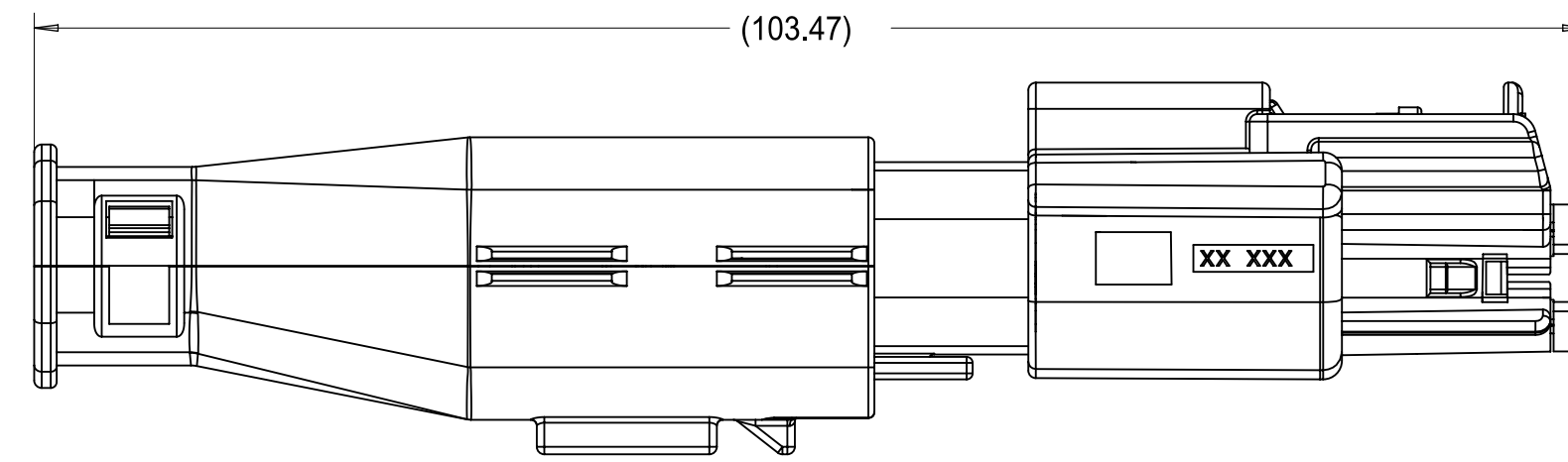
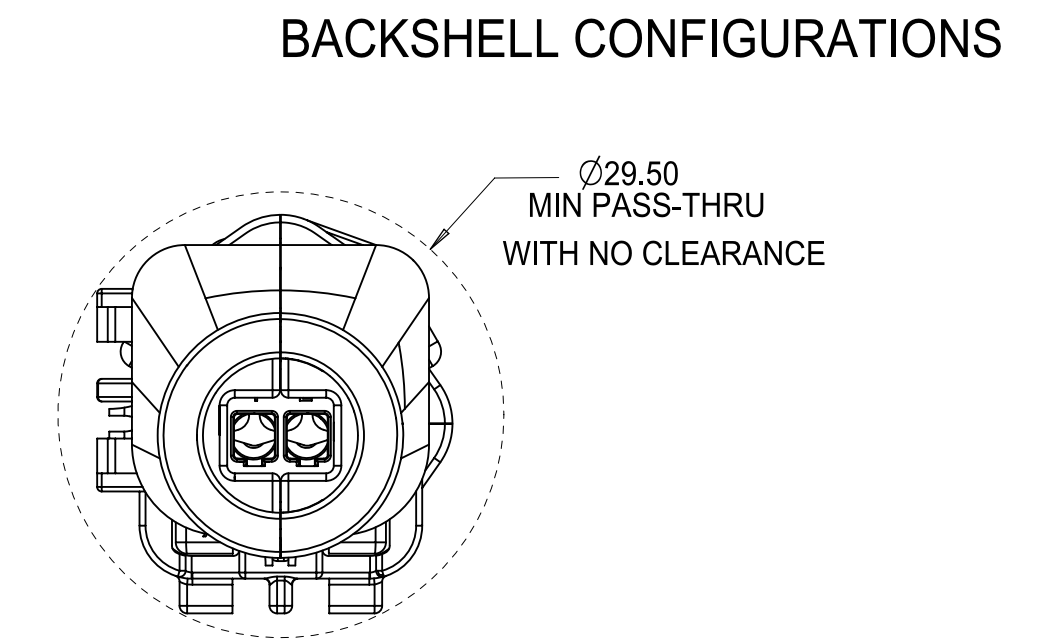
PRODUCT SALES DRAWING

DOCUMENT NUMBER	DOC TYPE	DOC PART	REVISION
SD-33481-021	PSD	001	A14

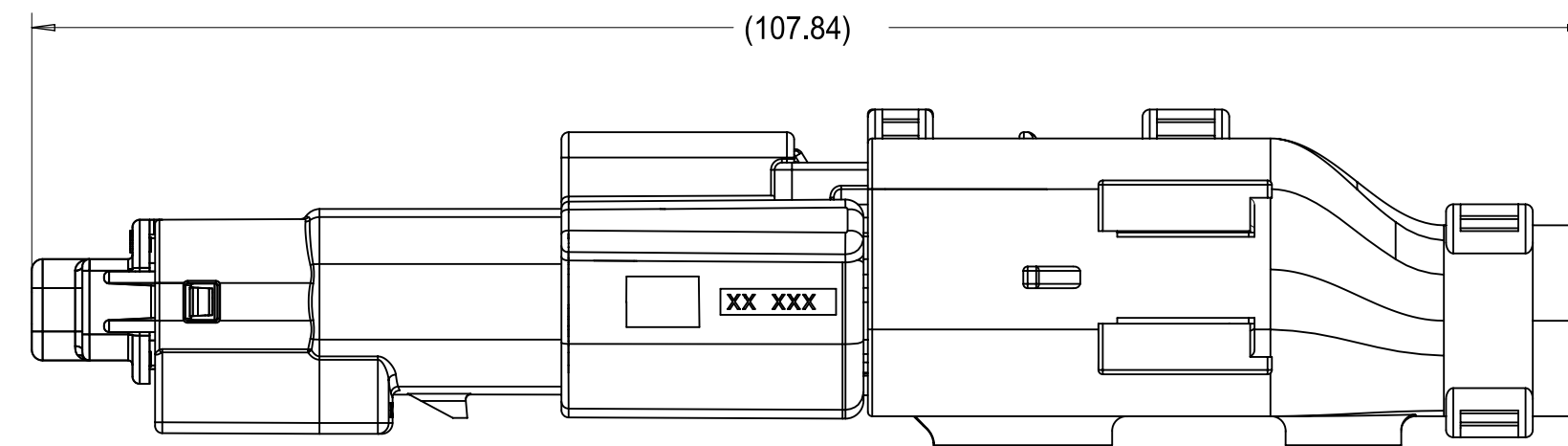
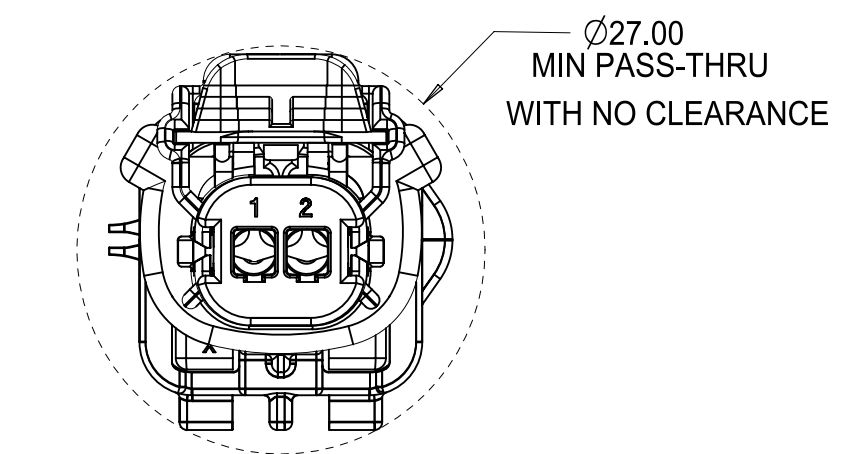
DRAFT WHERE APPLICABLE MUST REMAIN WITHIN DIMENSIONS	THIRD ANGLE PROJECTION	DRAWING	SERIES	MATERIAL NUMBER	CUSTOMER	SHEET NUMBER
		D-SIZE	33481	SEE BOM	GENERAL MARKET	6 OF 9



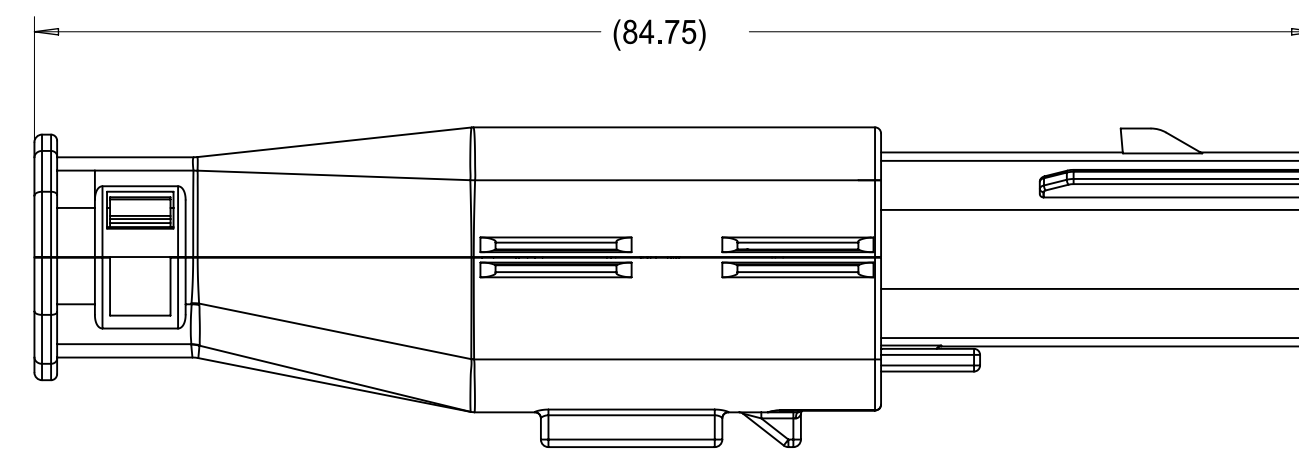
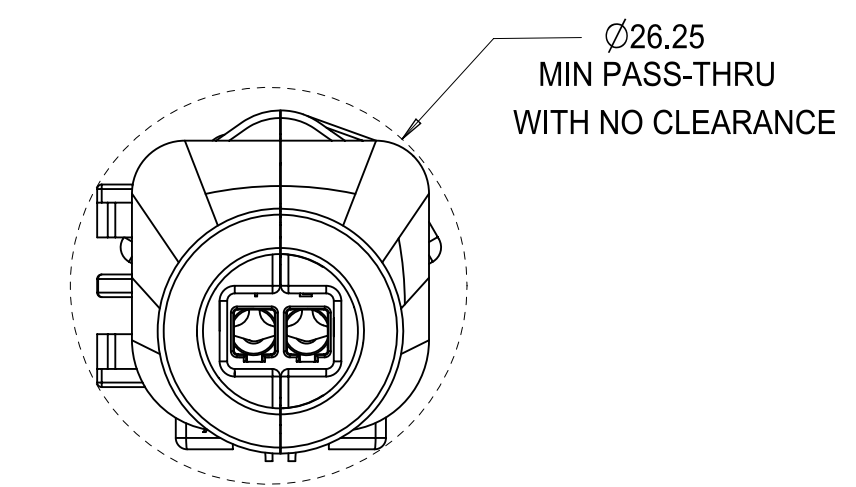
OVERALL MATED SYSTEM WITH BLADE AND RECEPTACLE BACKSHELL



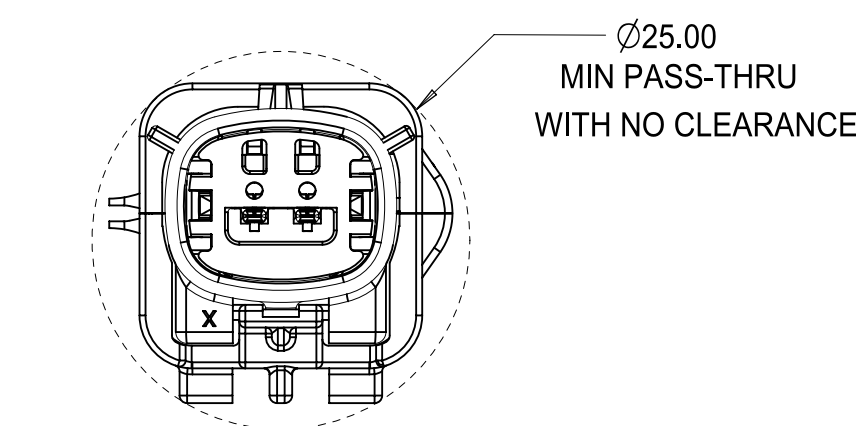
OVERALL MATED SYSTEM WITH BLADE BACKSHELL



OVERALL MATED SYSTEM WITH RECEPTACLE BACKSHELL



BLADE SEALED ASSEMBLY WITH BLADE BACKSHELL



THIS DRAWING CONTAINS INFORMATION THAT IS PROPRIETARY TO MOLEX ELECTRONIC TECHNOLOGIES, LLC AND SHOULD NOT BE USED WITHOUT WRITTEN PERMISSION

DIMENSION UNITS	SCALE
mm	2:1

GENERAL TOLERANCES (UNLESS SPECIFIED)

ANGULAR TOL	± 3°
4 PLACES	± 0
3 PLACES	± 0
2 PLACES	± 0.1
1 PLACE	± 0.2
0 PLACES	± 0

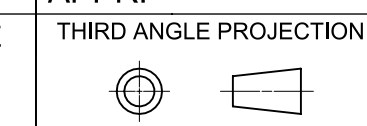
CURRENT REV DESC: SEE REVISION TABLE

EC NO: CO-000001228
 DRWN: MattYoung 21-Jul-2022
 CHK'D: Joe Fox 01-Aug-2022
 APPR: Katy Boruszewski 02-Aug-2022

INITIAL REVISION:
 DRWN: RFC_PLMIMP
 APPR:

molex			
MX150 1X2 BLADE SEALED ASSEMBLY MAT SEAL			
PRODUCT SALES DRAWING			
DOCUMENT NUMBER	DOC TYPE	DOC PART	REVISION
SD-33481-021	PSD	001	A14
MATERIAL NUMBER	CUSTOMER	SHEET NUMBER	
SEE BOM	GENERAL MARKET	7 OF 9	

DRAFT WHERE APPLICABLE MUST REMAIN WITHIN DIMENSIONS




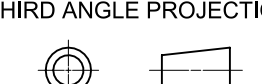
DRAWING D-SIZE

SERIES 33481



MATERIAL NUMBER SEE BOM CUSTOMER GENERAL MARKET SHEET NUMBER 7 OF 9

KEY A, YELLOW	33481-0210					A	GCO							OBSOLETE		34948-0210	34948-0220
KEY A, BLACK	33481-0209	A							GCP2		2			OBSOLETE		34948-0210	34948-0220
KEY D, STONE GRAY	33481-0208				D			GCP		1	2			OBSOLETE		34948-0210	34948-0220
KEY C, DARK GRAY	33481-0207			C				GCP		1	2			OBSOLETE		34948-0210	34948-0220
KEY B, LIGHT GRAY	33481-0206		B					GCP		1	2			OBSOLETE		34948-0210	34948-0220
KEY A, BLACK	33481-0205	A						GCP		1	2			OBSOLETE		34948-0210	34948-0220
KEY D, STONE GRAY	33481-0204				D		GCO							OBSOLETE		34948-0210	34948-0220
KEY C, DARK GRAY	33481-0203			C			GCO							OBSOLETE		34948-0210	34948-0220
KEY B, LIGHT GRAY	33481-0202		B				GCO							OBSOLETE		34948-0210	34948-0220
KEY A, BLACK	33481-0201	A					GCO							OBSOLETE		34948-0210	34948-0220
ASSEMBLY DESCRIPTION	ASSEMBLY PART NUMBERS	A	B	C	D	A	GCO	GCP	GCP2	1	2		STATUS	COMMENTS	BACKSHELL WITH RIBS	BACKSHELL WITHOUT RIBS	
		BLOCKED TERMINAL										OPTIONAL ATTACHMENTS					
CAVITY WITH A NUMBER INDICATES BLOCKED TERMINAL POSITION										OPTIONAL ATTACHMENTS							
CAVITY WITHOUT A NUMBER INDICATES OPEN TERMINAL POSITION										SOLD SEPARATELY							
MAT SEAL			RUST RED			INHERENTLY LUBRICATED SILICONE											
PLR			NATURAL			SPS/NYLON GF20											
GROMMET CAP (CAVITY 2 PLUGGED)			BLACK			SPS/NYLON GF20											
GROMMET CAP (PLUGGED)			BLACK			SPS/NYLON GF20											
GROMMET CAP (OPEN)			BLACK			SPS/NYLON GF20											
HOUSING - KEYING OPTION A			YELLOW			SPS/NYLON GF20											
HOUSING - KEYING OPTION D			STONE GRAY			SPS/NYLON GF20											
HOUSING - KEYING OPTION C			DARK GRAY			SPS/NYLON GF20											
HOUSING - KEYING OPTION B			LIGHT GRAY			SPS/NYLON GF20											
HOUSING - KEYING OPTION A			BLACK			SPS/NYLON GF20											
DESCRIPTION			COLOR			MATERIAL											
BOM/APPLICABLE COMPONENTS TABLE																	

LEGEND TABLE	
ABREVIATION	COMPONENT
A	HOUSING KEY A
B	HOUSING KEY B
C	HOUSING KEY C
D	HOUSING KEY D
GCO	GROMMET CAP (OPEN)
GCP	GROMMET CAP (PLUGGED)
GCP2	GROMMET CAP (CAVITY 2 PLUGGED)
P	PLR, STANDARD
M	MAT SEAL
BKS	BACKSHELL

THIS DRAWING CONTAINS INFORMATION THAT IS PROPRIETARY TO MOLEX ELECTRONIC TECHNOLOGIES, LLC AND SHOULD NOT BE USED WITHOUT WRITTEN PERMISSION									
DIMENSION UNITS		SCALE		CURRENT REV DESC: SEE REVISION TABLE					
mm		1:1		 <p>MX150 1X2 BLADE SEALED ASSEMBLY MAT SEAL</p> <p>PRODUCT SALES DRAWING</p> <p>EC NO: CO-000001228 DRWN: MattYoung CHK'D: Joe Fox APPR: Katy Boruszewski</p> <p>21-Jul-2022 01-Aug-2022 02-Aug-2022</p> <p>INITIAL REVISION: DRWN: RFC_PLMIMP APPR:</p>					
GENERAL TOLERANCES (UNLESS SPECIFIED)									
ANGULAR TOL		± 3°							
4 PLACES		± 0							
3 PLACES		± 0							
2 PLACES		± 0.1							
1 PLACE		± 0.2							
0 PLACES		± 0							
DRAFT WHERE APPLICABLE MUST REMAIN WITHIN DIMENSIONS				THIRD ANGLE PROJECTION		DRAWING		SERIES	
				D-SIZE		33481		MATERIAL NUMBER	
SEE BOM				CUSTOMER		GENERAL MARKET		SHEET NUMBER	
SD-33481-021				PSD		001		A14	
8 OF 9									

KEY A, YELLOW	33481-2210					A	GCO						SALEABLE		34948-0210	34948-0220
KEY A, BLACK	33481-2209	A						GCP2			2		SALEABLE		34948-0210	34948-0220
KEY D, STONE GRAY	33481-2208			D				GCP		1	2		SALEABLE		34948-0210	34948-0220
KEY C, DARK GRAY	33481-2207			C				GCP		1	2		SALEABLE		34948-0210	34948-0220
KEY B, LIGHT GRAY	33481-2206		B					GCP		1	2		SALEABLE		34948-0210	34948-0220
KEY A, BLACK	33481-2205	A						GCP		1	2		SALEABLE		34948-0210	34948-0220
KEY D, STONE GRAY	33481-2204			D			GCO						SALEABLE		34948-0210	34948-0220
KEY C, DARK GRAY	33481-2203			C			GCO						SALEABLE		34948-0210	34948-0220
KEY B, LIGHT GRAY	33481-2202		B				GCO						SALEABLE		34948-0210	34948-0220
KEY A, BLACK	33481-2201	A					GCO						SALEABLE		34948-0210	34948-0220
ASSEMBLY DESCRIPTION	ASSEMBLY PART NUMBERS	A	B	C	D	A	GCO	GCP	GCP2	1	2		STATUS	COMMENTS	BACKSHELL WITH RIBS	BACKSHELL WITHOUT RIBS
		BLOCKED TERMINAL										OPTIONAL ATTACHMENTS				
CAVITY WITH A NUMBER INDICATES BLOCKED TERMINAL POSITION										SOLD SEPARATELY						
CAVITY WITHOUT A NUMBER INDICATES OPEN TERMINAL POSITION																
MAT SEAL			GREEN			INHERENTLY LUBRICATED SILICONE										
PLR			NATURAL			SPS/NYLON GF20										
GROMMET CAP (CAVITY 2 PLUGGED)			BLACK			SPS/NYLON GF20										
GROMMET CAP (PLUGGED)			BLACK			SPS/NYLON GF20										
GROMMET CAP (OPEN)			BLACK			SPS/NYLON GF20										
HOUSING - KEYING OPTION A			YELLOW			SPS/NYLON GF20										
HOUSING - KEYING OPTION D			STONE GRAY			SPS/NYLON GF20										
HOUSING - KEYING OPTION C			DARK GRAY			SPS/NYLON GF20										
HOUSING - KEYING OPTION B			LIGHT GRAY			SPS/NYLON GF20										
HOUSING - KEYING OPTION A			BLACK			SPS/NYLON GF20										
DESCRIPTION			COLOR			MATERIAL										
BOM/APPLICABLE COMPONENTS TABLE																

THIS DRAWING CONTAINS INFORMATION THAT IS PROPRIETARY TO MOLEX ELECTRONIC TECHNOLOGIES, LLC AND SHOULD NOT BE USED WITHOUT WRITTEN PERMISSION																	
DIMENSION UNITS		SCALE		CURRENT REV DESC: SEE REVISION TABLE													
mm		1:1		 <p style="text-align: center;">MX150 1X2 BLADE SEALED ASSEMBLY MAT SEAL</p> <p style="text-align: center;">PRODUCT SALES DRAWING</p>													
GENERAL TOLERANCES (UNLESS SPECIFIED)																	
ANGULAR TOL		± 3°															
4 PLACES		± 0															
3 PLACES		± 0															
2 PLACES		± 0.1															
1 PLACE		± 0.2		EC NO: CO-000001228 DRWN: MattYoung 21-Jul-2022 CHK'D: Joe Fox 01-Aug-2022 APPR: Katy Boruszewski 02-Aug-2022													
0 PLACES		± 0		INITIAL REVISION:				DRWN: RFC_PLMIMP APPR:									
DRAFT WHERE APPLICABLE MUST REMAIN WITHIN DIMENSIONS				THIRD ANGLE PROJECTION		DRAWING		SERIES		MATERIAL NUMBER		CUSTOMER		SHEET NUMBER			
						D-SIZE		33481		SEE BOM		GENERAL MARKET		9 OF 9			
DOCUMENT STATUS		Approved		RELEASE DATE		02-Aug-2022		14:03:56									