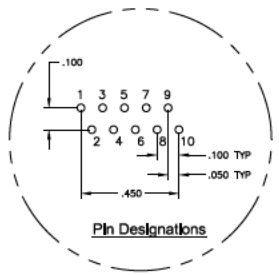
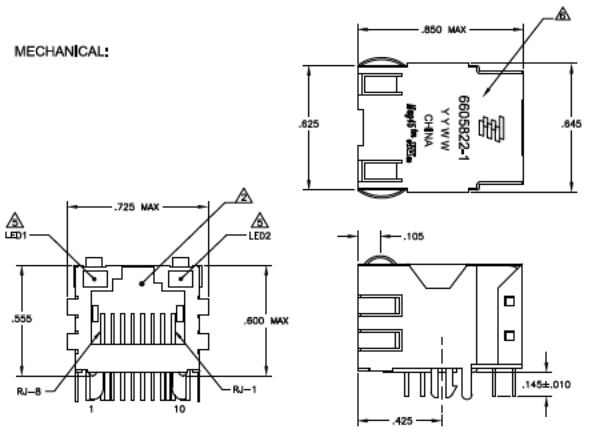
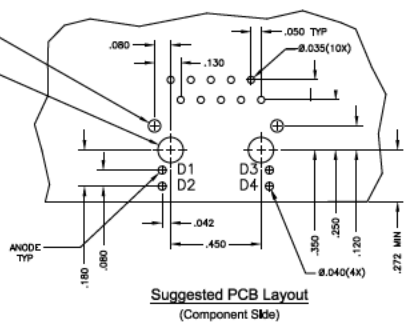
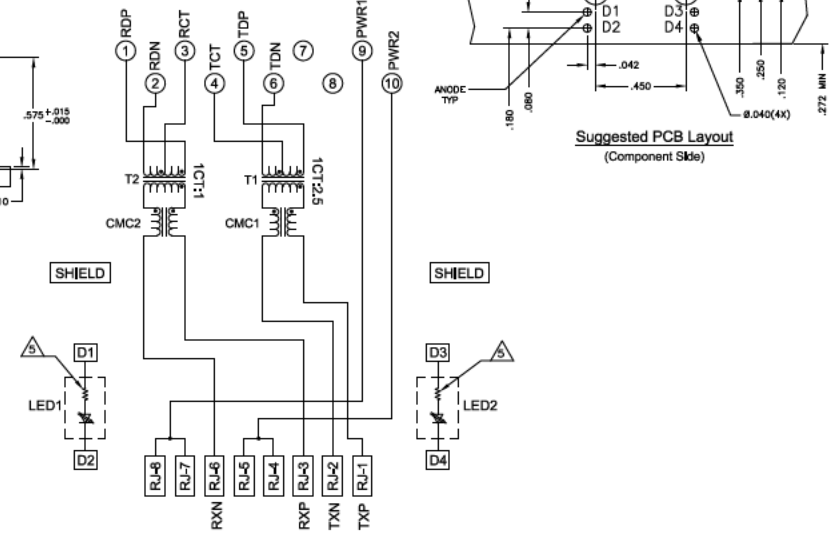
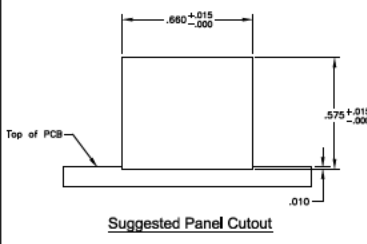


REV	DATE	DESCRIPTION	BY	CHK
AA	22	REVISED PER EEC-06-000785
B		REVISED PER EEC-06-000785
BT		REVISED PER EEC-06-000787

MECHANICAL:



ELECTRICAL:
7U24 SERIES MAGNETIC CIRCUIT



- ▲ MATERIALS:
 - HOUSING - THERMOPLASTIC PET POLYESTER FLAMMABILITY RATINGS UL 94V-0.
 - SHIELD - .010" THICK, C26800 BRASS PREPLATED WITH 30μ INCH MIN SEMI-BRIGHT NICKEL, SOLDER TABS POST DIPPED WITH 100μ INCH MIN SAC SOLDER.
 - ROD JACK CONTACTS - 0.0157" x 0.084" PHOSPHOR BRONZE, 50μ INCH MIN OVRALL NICKEL UNDERPLATE, WITH SELECT 50μ INCH MIN HARD GOLD FINISH PLATE.
 - SOLDERTAILS WITH 100μ INCH MIN MATTE TIN AND/OR SAC SOLDER DP.
 - LIGHT EMITTING DIODE(LED) - DIFFUSED EPOXY LENS, .020" x .020" CARBON STEEL WIREFRAME LEADS PRE-PLATED WITH 80μ INCH SILVER OVER 45μ INCH NICKEL UNDERPLATE OVER 40μ INCH COPPER UNDERPLATE. POST-PLATED WITH 100μ INCH MIN MATTE TIN AND/OR SAC SOLDER DIP OR PURE TIN SOLDER DP.
- ▲ RAS JACK CAVITY CONFORMS TO FCC RULES AND REGULATIONS PART 68, SUB PART F.
- ▲ MAGNETICS
 - IMPEDANCE: 100 OHMS
 - TURNS RATIO (CHP CABLE): TX = 9:2.5, RX = 1:1
 - PUE CURRENT: 350mA DC MAX
 - PERFORMANCE @ 25°C
 - OPEN CIRCUIT INDUCTANCE (OCL): 140μ H MIN @100kHz, 0.1VRMS, TX & RX
 - LEAKAGE INDUCTANCE: 0.35μ H MAX @100kHz, 0.1VRMS
 - INTERWINDING CAPACITANCE: 15pF MAX @100kHz, 0.1VRMS
 - ISOLATION VOLTAGE: COMPLIES WITH EEE802.3af 2003, PARA 33A.1, ITEM a.
- 4. OPERATING TEMPERATURE: FROM 0°C TO +70°C.
- ▲ LEDs WITH BUILT-IN RESISTOR
 - LEDs ARE DRIVEN WITH 5V VOLTAGE AND THE MAX OPERATING CURRENT IS 20mA.
 - LED COLOR-DOMINANT WAVELENGTH (λD): GREEN 568 nm TYP @ VF=5V
 - FORWARD CURRENT IF: 25mA TYP @ VF=5V
 - DOMINANT WAVELENGTH (λD): YELLOW 588 nm TYP @ VF=5V
 - FORWARD CURRENT IF: 15mA TYP @ VF=5V
- ▲ TYCO ELECTRONICS LOGO, PART NUMBER, DATE CODE, COUNTRY OF ORIGIN AND AGENCY APPROVAL MARKING IN APPROXIMATE LOCATION SHOWN.
- 7. THESE PARTS ARE RECOMMENDED FOR WAVE SOLDERING PROCESS, PEAK WAVE SOLDERING TEMPERATURE IS 245°C MAX, 15sec MAX.
- ▲ OBSOLETE PARTS: OBSOLETE CIS STREAMLINING PER D.RENAUD/D.SINISI

REVISION	DATE	DESCRIPTION	BY	CHK
1		GREEN		
2		GREEN		
3		YELLOW		
4		LED1		
5		LED2		

THIS DRAWING IS A CONTROLLED DOCUMENT.		131 M445(10), MODULAR JACK, SHIELDED, 7U24 (10BASE-T VBP/POE) SCHEMATIC, 7U24 SERIES CIRCUIT, WITH RESISTOR LEDs
108-2100 108-2100	100779 A1	0-6805822 0-6805822-1