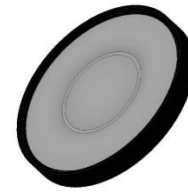




PUIaudio



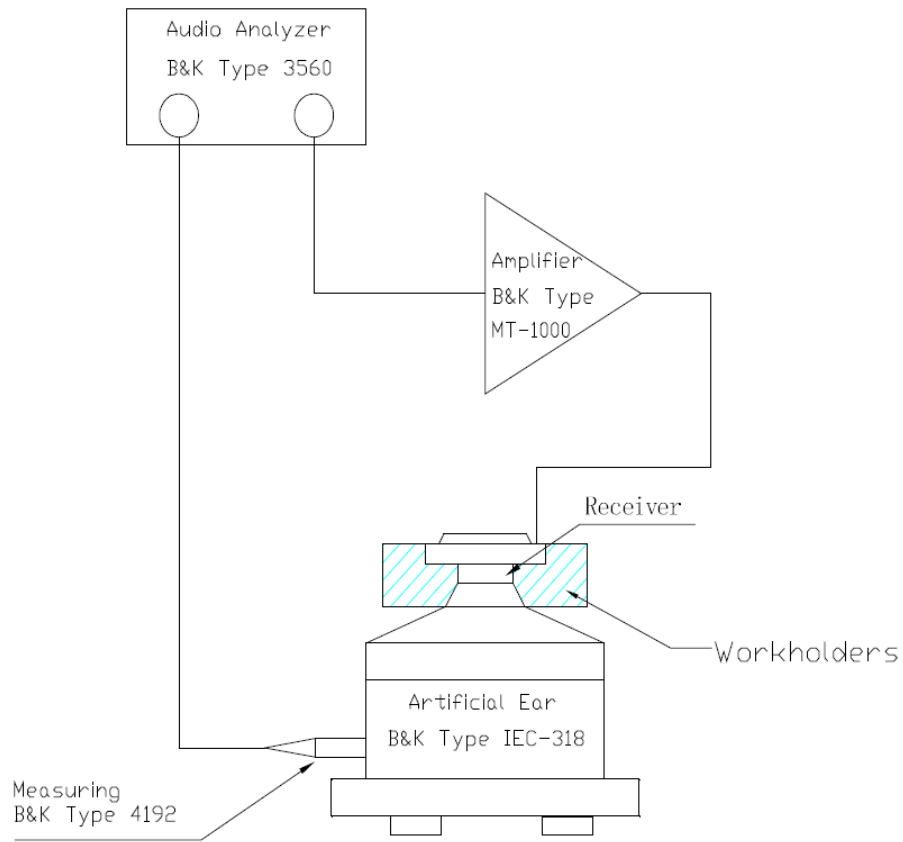
Data Sheet

AR040600MR-LW100-R

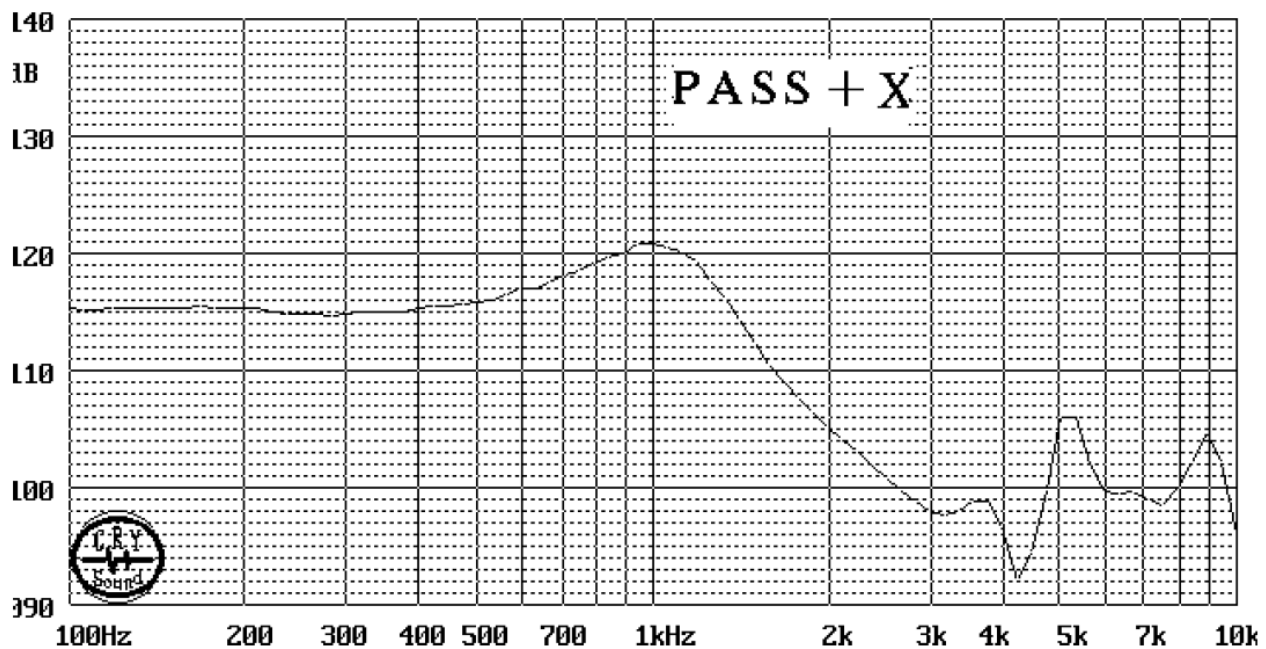
Specifications

Parameters	Values	Units
Rated Input Power	10	mWatts
Max Input Power	20	mWatts
Impedance	600 ± 15%	Ohms
Sensitivity (SPL @ 1kHz)	120 ± 3	dB Pa/V
Frequency Range	300 ~ 3,400	Hz
Magnet Material	NdFeB	-
Diaphragm Material	Mylar	-
Weight	7.5	Grams
Environmental Protection Rating	ROHS/REACH	-
Polarity	When positive voltage is applied to the positive terminal, the diaphragm will move outward	-
Buzz, Rattle, etc.	Must be normal at 179 mV sine wave between 300 ~3.4k Hz	-
Operating Temperature	-30 ~ +70	°C
Storage Temperature	-30 ~ +75	°C

Measurement Method (measured with 1mW)



Frequency Response (measured at 179 mV)

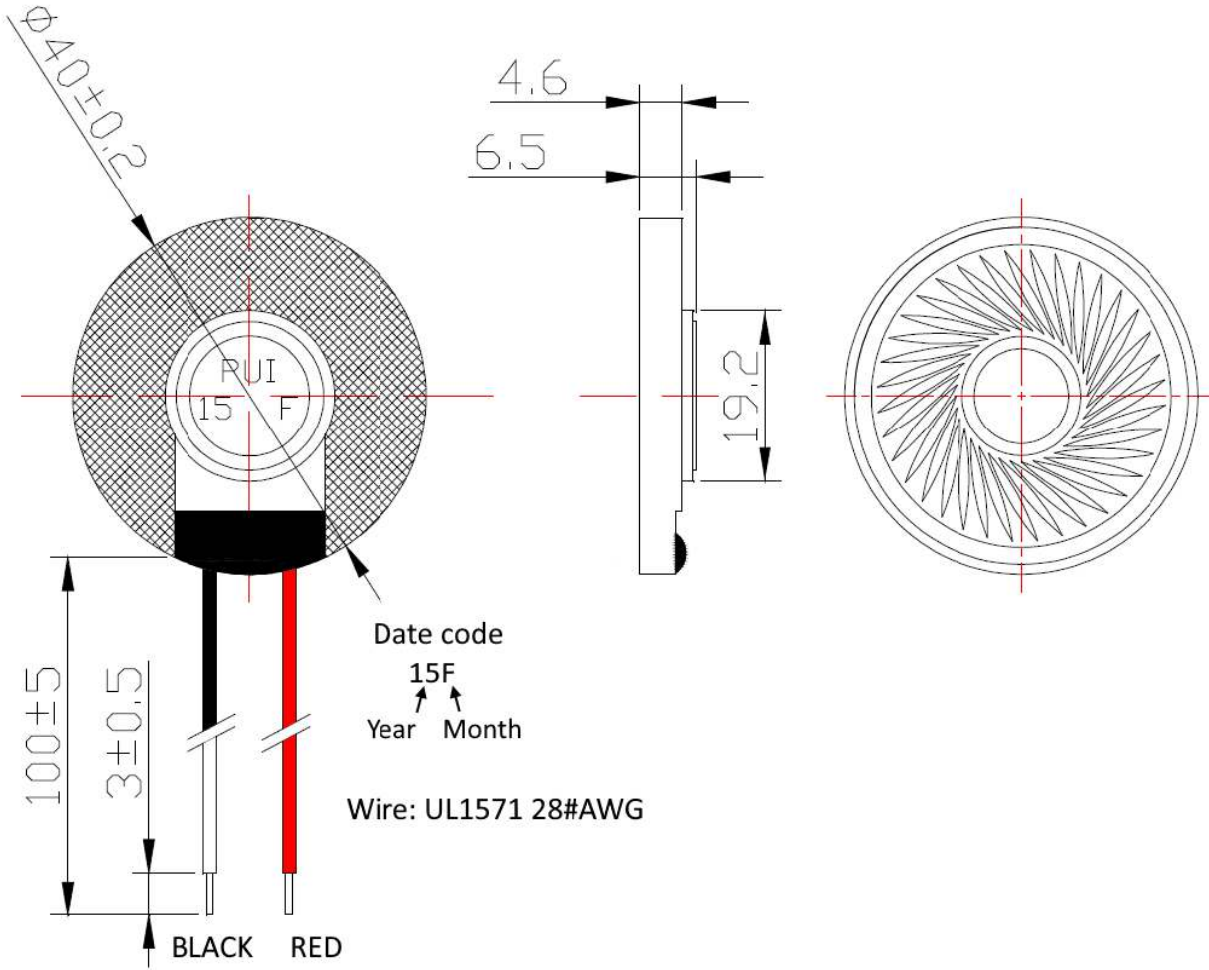


Reliability Testing

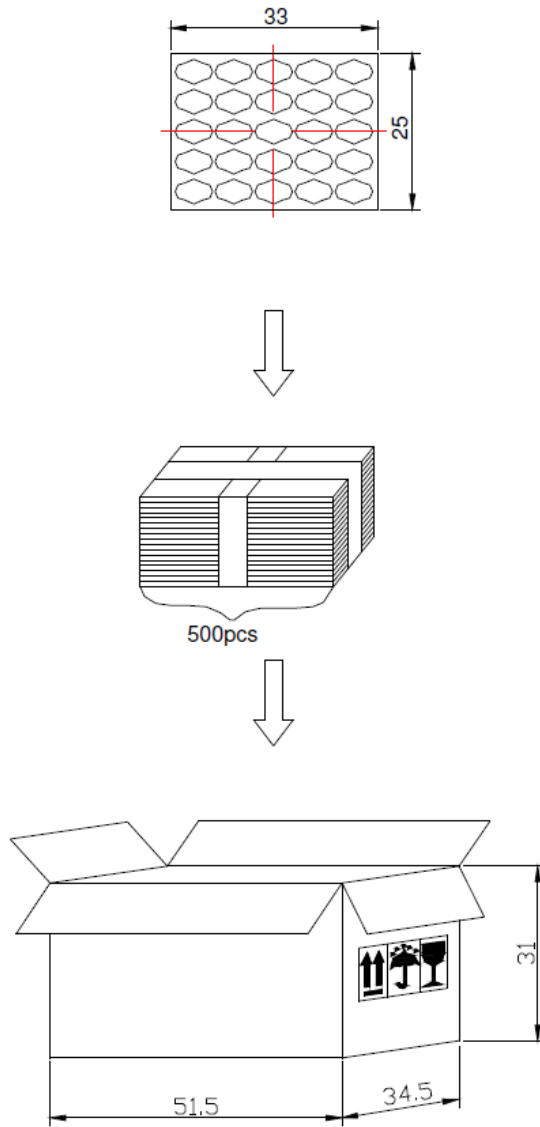
Type of Test	Test Specifications
High Temperature Test	96 hours at +70°C ± 2°C followed by six hours in normal room temperature
Low Temperature Test	96 hours at -30°C ± 2°C followed by six hours in normal room temperature
Humidity Test	48 hours at +40°C ± 2°C with relative humidity at 90~95% followed by six hours in normal room temperature
Temperature Cycle Testing	<p>The part shall be subjected to 4 cycles using the following procedure:</p> <p>The diagram illustrates a temperature cycle with the following parameters:</p> <ul style="list-style-type: none"> Level 1: +60°C, Duration: 2hrs Ramp 1: 0.5hr (downward slope) Level 2: +25°C, Duration: 1hr Ramp 2: 0.5hr (downward slope) Level 3: -20°C, Duration: 2hrs Total Cycle Duration: 6hrs (indicated by a dashed line)
Vibration Test	Frequency 30 ± 15 Hz, Amplitude 1.5 mm for 3 Hours
Drop Test	75 CM free falling on Concrete floor, 10 times
Load Test and Max Power Test	White noise is applied at the speakers rated power for 96 hours at room temperature

After each test, the speaker's SPL shall be ±3 dB of the original SPL

Dimensions (Tolerance: $\pm 0.5\text{mm}$ unless otherwise stated)



Packing



Specifications Revisions

Revision	Description	Date
-	Released from Engineering	11/12/2019
A	Revised Frequency Range	1/10/2020

Note:

- Unless otherwise specified:
 - All dimensions are in millimeters.
 - Default tolerances are $\pm 0.5\text{mm}$ and angles are $\pm 3^\circ$.
- Specifications subject to change or withdrawal without notice.