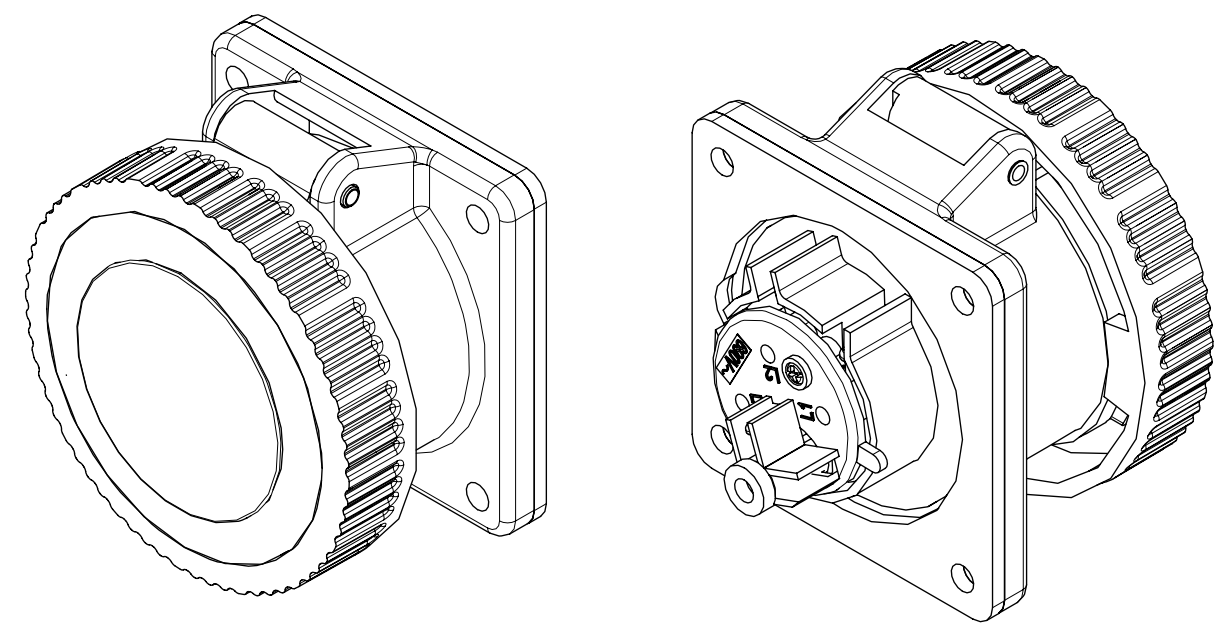
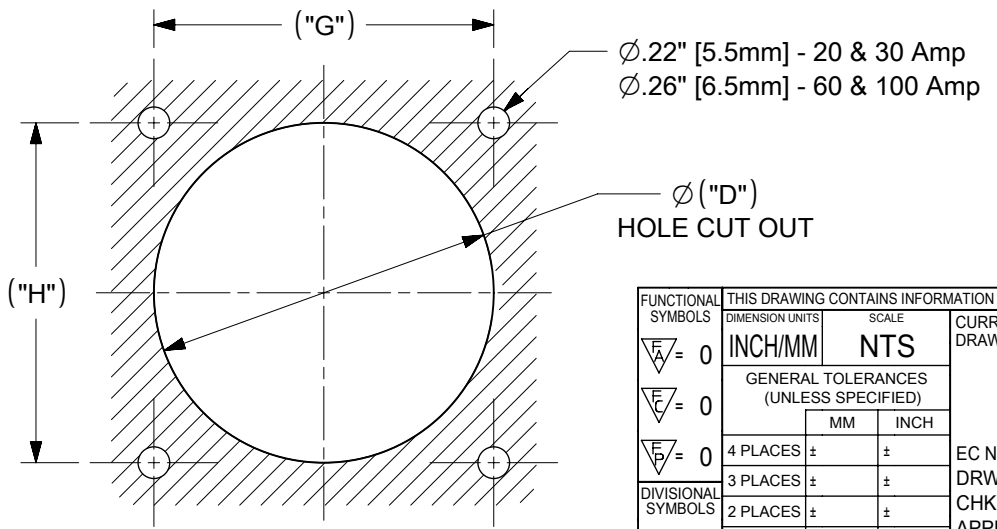
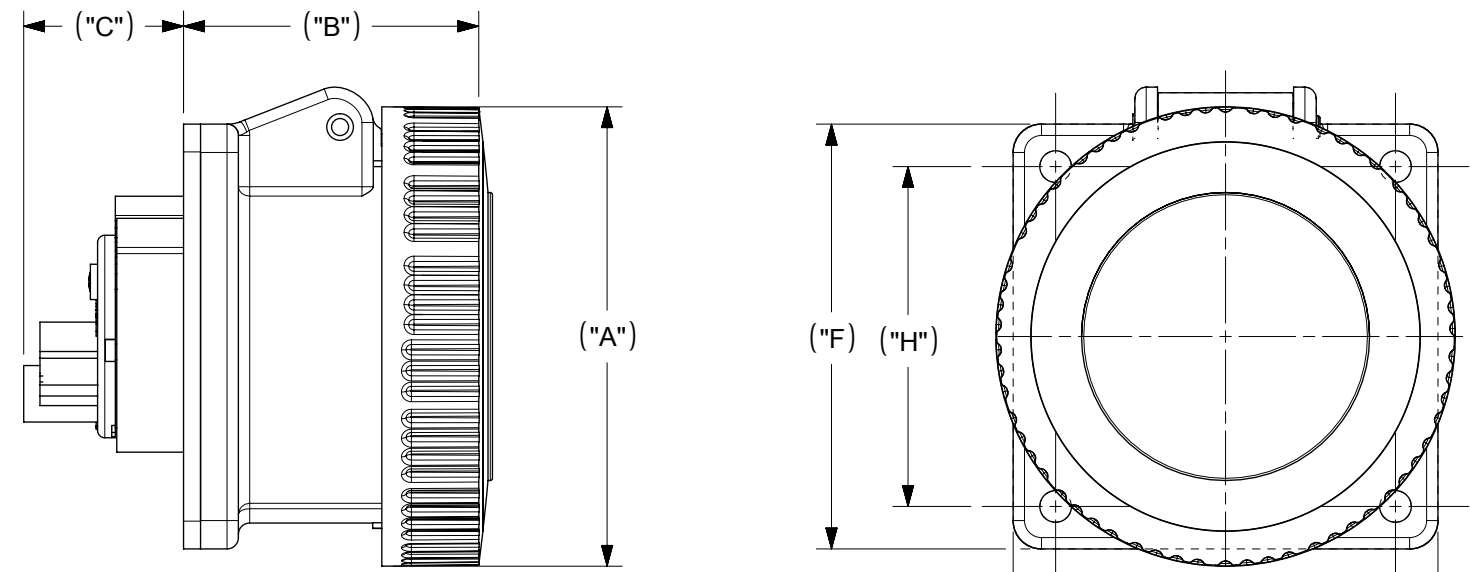


AMPS	TYPE	DIMENSIONS:							
		("A")	("B")	("C")	("D")	("E")	("F")	("G")	("H")
20	3 WIRE	2.82 [71.5]	2.05 [52.0]	1.10 [28.0]	1.81 [46.0]	2.44 [62.0]	2.44 [62.0]	1.85 [47.0]	1.85 [47.0]
20	4 WIRE	3.19 [81.0]	2.05 [52.0]	1.10 [28.0]	2.36 [60.0]	2.95 [75.0]	2.95 [75.0]	2.36 [60.0]	2.36 [60.0]
30	3 & 4 WIRE	3.78 [96.0]	2.56 [65.0]	1.06 [27.0]	2.36 [60.0]	2.95 [75.0]	2.95 [75.0]	2.36 [60.0]	2.36 [60.0]
60	3,4 & 5 WIRE	4.29 [109.0]	3.27 [83.0]	2.05 [52.0]	3.54 [90.0]	3.94 [100.0]	4.21 [107.0]	3.03 [77.0]	3.35 [85.0]
100	3,4 & 5 WIRE	5.12 [130.0]	3.78 [96.0]	2.52 [64.0]	3.54 [90.0]	4.49 [114.0]	4.49 [114.0]	3.54 [90.0]	3.54 [90.0]



NOTES:
1. THE BELOW WATERTIGHT PIN AND SLEEVE RECPT. ARE RATED : IP67.



POLE/WIRE	AMPS	VOLTAGE	MATERIAL No.	ENGINEERING No.	COLOR
2-Pole/3-Wire	20	125	1301500057	320R4W	Yellow
		250	1301500059	320R6W	Blue
125/250		1301500144	420R12W	Orange	
3-Pole/4-Wire		3ø250	1301500150	420R9W	Blue
		3ø480	1301500148	420R7W	Red
		3ø600	1301500146	420R5W	Black
3-Pole/4-Wire	30	3ø250	1301500179	430R9W	Blue
		3ø480	1301500177	430R7W	Red
		3ø600	1301500175	430R5W	Black
3-Pole/4-Wire	60	125/250	1301500207	460R12W	Orange
		3ø250	1301500213	460R9W	Blue
		3ø480	1301500211	460R7W	Red
3-Pole/4-Wire	100	3ø600	1301500209	460R5W	Black
		125/250	1301500116	4100R12W	Orange
		3ø250	1301500119	4100R9W	Blue
3-Pole/4-Wire	100	3ø480	1301500118	4100R7W	Red
		3ø600	1301500117	4100R5W	Black

FUNCTIONAL SYMBOLS	THIS DRAWING CONTAINS INFORMATION THAT IS PROPRIETARY TO MOLEX ELECTRONIC TECHNOLOGIES, LLC AND SHOULD NOT BE USED WITHOUT WRITTEN PERMISSION		CURRENT REV DESC: CREATING NEW SALES DRAWING	
	DIMENSION UNITS	SCALE		
$\nabla = 0$	INCH/MM	NTS		
$\nabla = 0$	GENERAL TOLERANCES (UNLESS SPECIFIED)			
$\nabla = 0$		MM	INCH	
DIVISIONAL SYMBOLS	4 PLACES	±	±	
	3 PLACES	±	±	
	2 PLACES	±	±	
	1 PLACE	±	±	
	0 PLACES	±	±	
	ANGULAR TOL	±	°	
DRAFT WHERE APPLICABLE MUST REMAIN WITHIN DIMENSIONS		THIRD ANGLE PROJECTION	DRAWING	SERIES
			B-SIZE	130150
DOCUMENT STATUS		RELEASE DATE	2021/05/05	21:55:30
P1				

molex

WATERTIGHT IEC309 PIN & SLEEVE
PANEL MOUNT RECPT. 20, 30, 60, & 100A & 3, 4, & 5 WIRE

PRODUCT CUSTOMER DRAWING

DOCUMENT NUMBER: **1301500148** DOC TYPE: PSD DOC PART: 000 REVISION: **A**

MATERIAL NUMBER: SEE TABLE CUSTOMER: GENERAL MARKET SHEET NUMBER: 1 OF 1