

RIGHT ANGLE HEADER ASSEMBLY PRODUCT NUMBER  
10108877- X PP SS C M LF

MOUNTING FEATURES  
H = HOLD DOWNS  
S = SCREW MOUNT (EXCEPT FOR P STYLE)

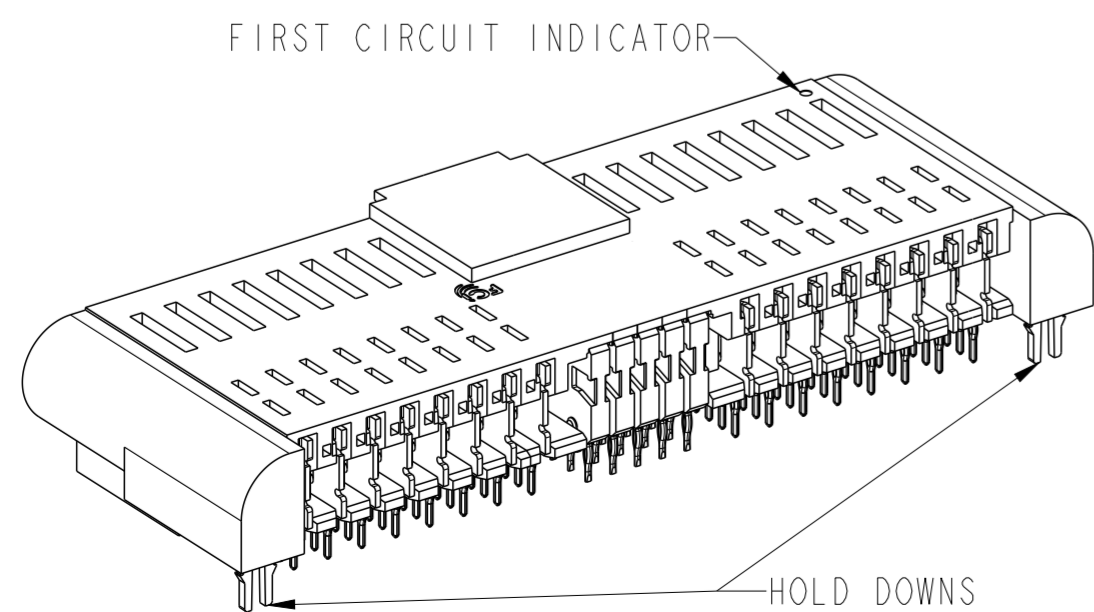
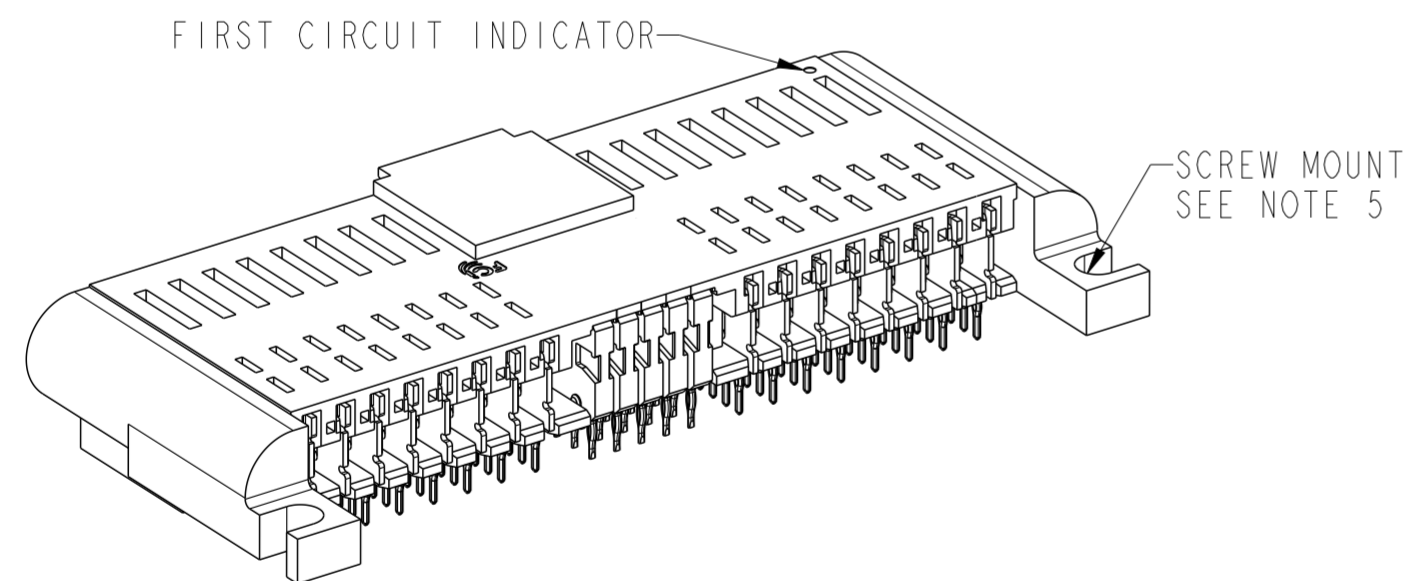
CENTER LINE DISTANCE BETWEEN POWER AND SIGNAL POSITIONS AT MATING INTERFACE  
3 = 4.375

NUMBER OF SIGNAL CONTACTS  
00 OR 05 TO 40 IN INCREMENTS OF 5

TOTAL NUMBER OF POWER CONTACTS. IF STYLE S, THEY WILL BE DIVIDED EQUALLY WITH HALF ON THE LEFT AND HALF ON THE RIGHT SIDES OF THE SIGNAL GROUP. 02 TO 24 IN EVEN NUMBER INCREMENTS. IF STYLE P, THE RANGE IS 06 TO 30.

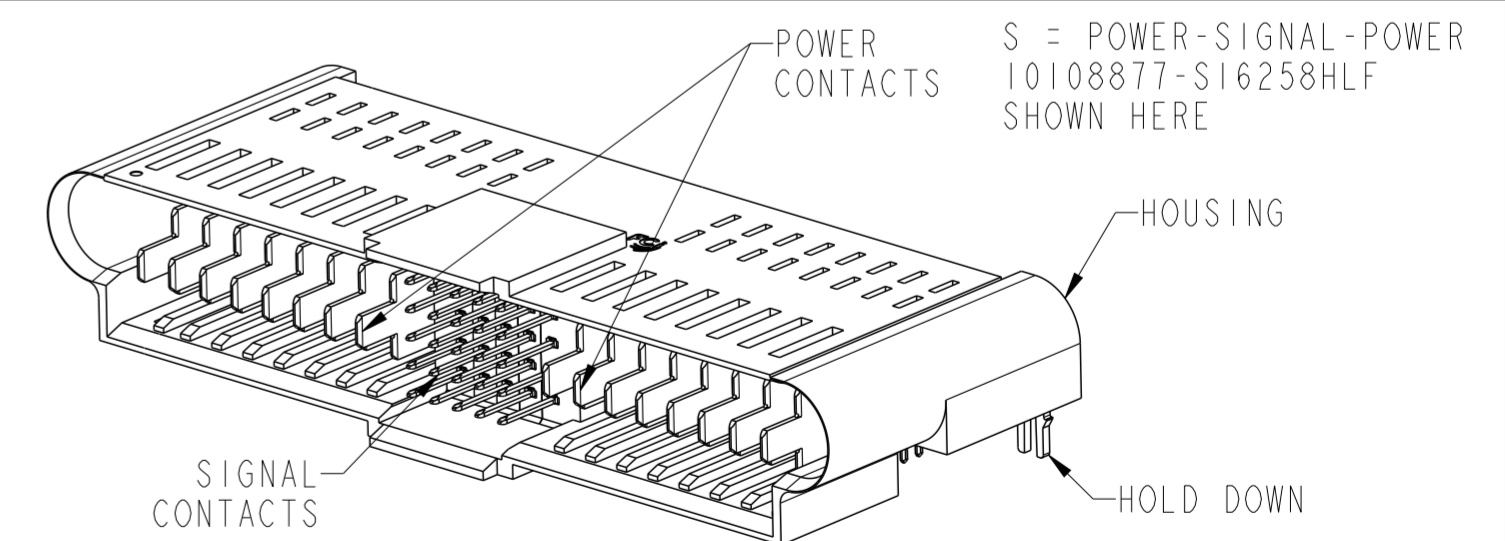
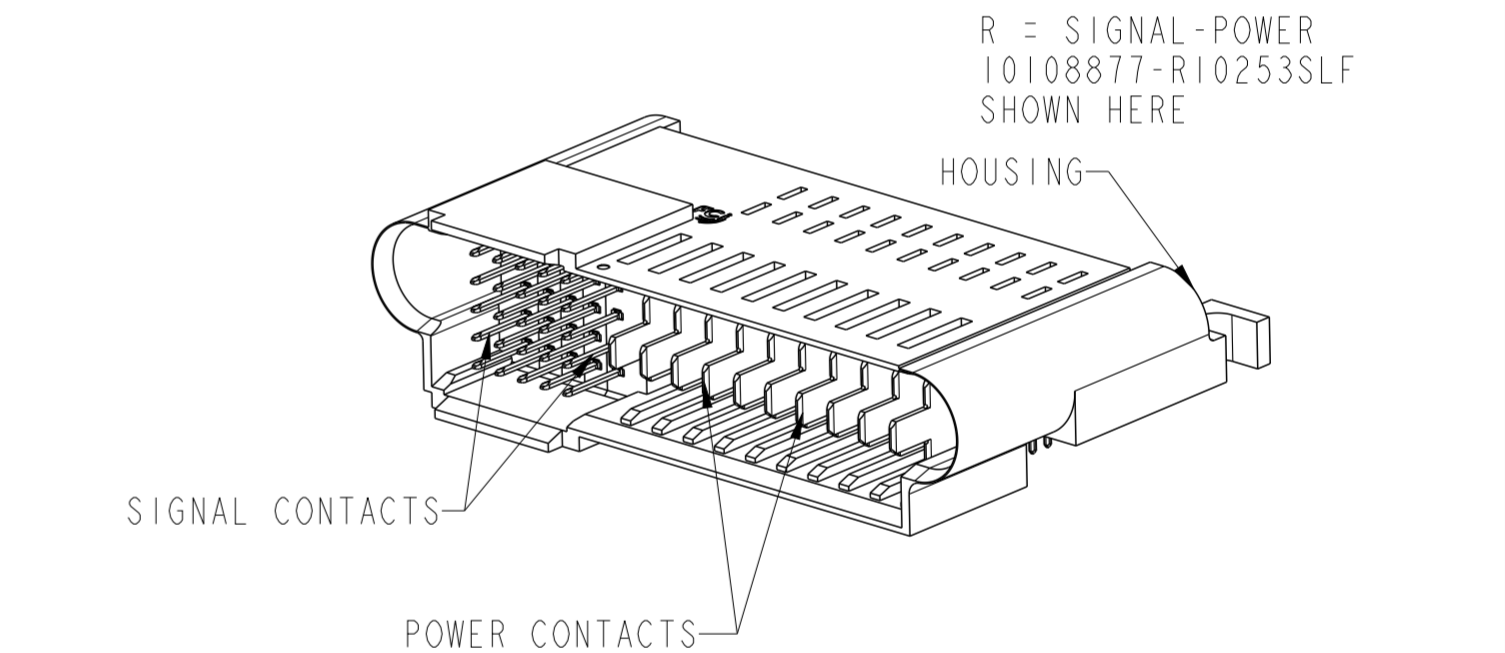
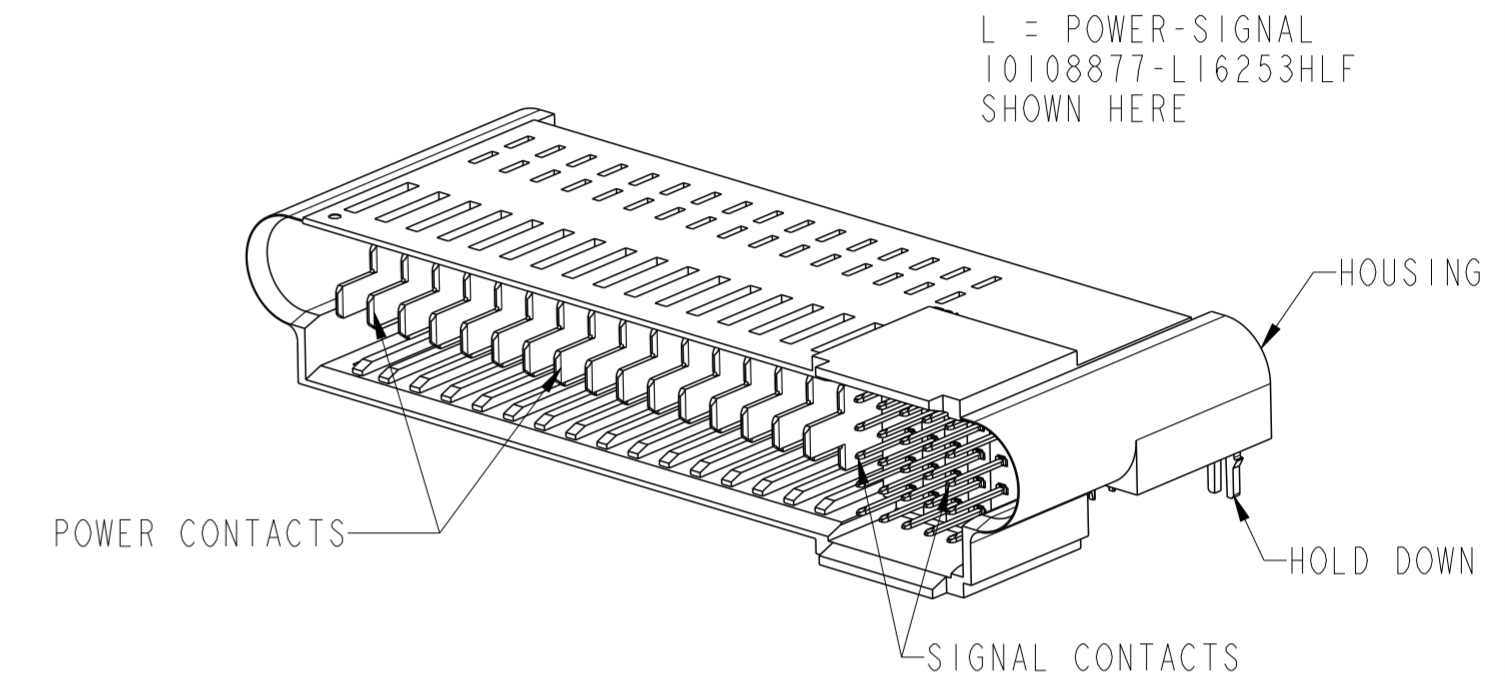
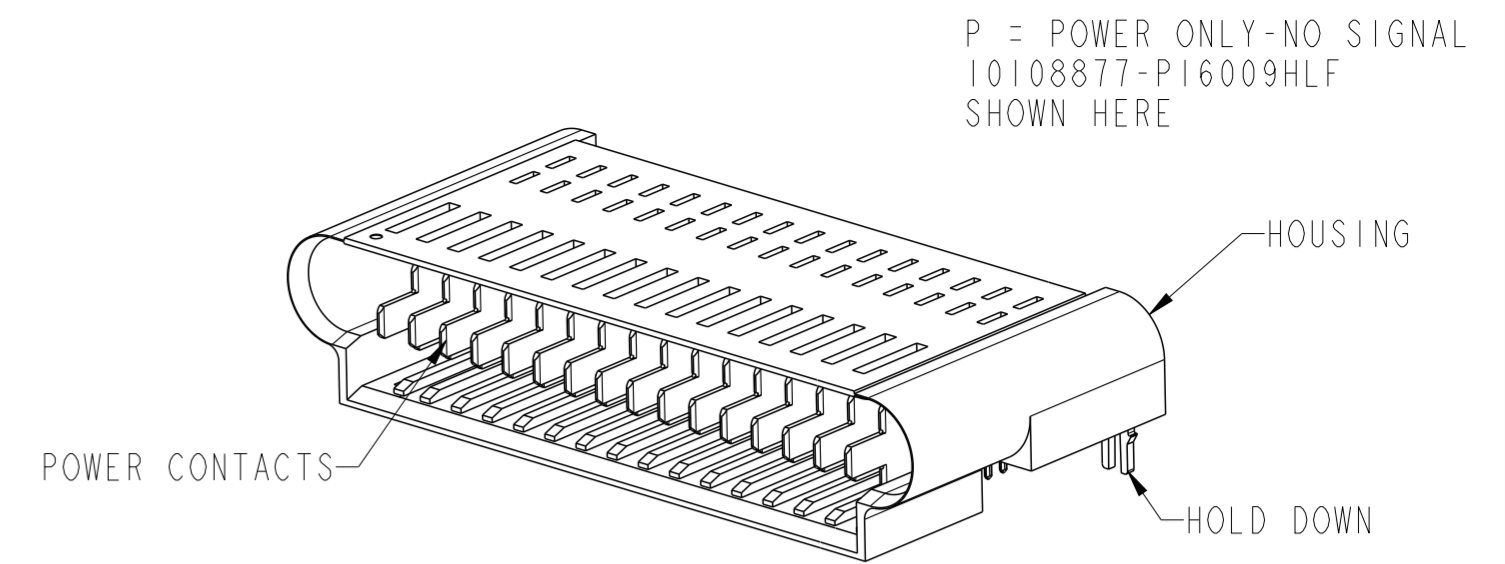
STYLE  
P = POWER ONLY-NO SIGNAL  
L = POWER ON THE LEFT, SIGNAL ON THE RIGHT  
R = SIGNAL ON THE LEFT, POWER ON THE RIGHT  
S = POWER ON THE LEFT, SIGNAL IN THE CENTER, POWER ON THE RIGHT

EXAMPLE:  
10108877-R10253SLF IS A RIGHT ANGLE HEADER ASSEMBLY WITH 5 COLUMNS (25 TOTAL) OF SIGNAL PINS ON THE LEFT SIDE AND 10 POWER CONTACTS ON THE RIGHT SIDE, WITH A 4.375 DISTANCE BETWEEN THE SIGNAL AND THE POWER CONTACTS AND WITH SCREW MOUNT ENDS.



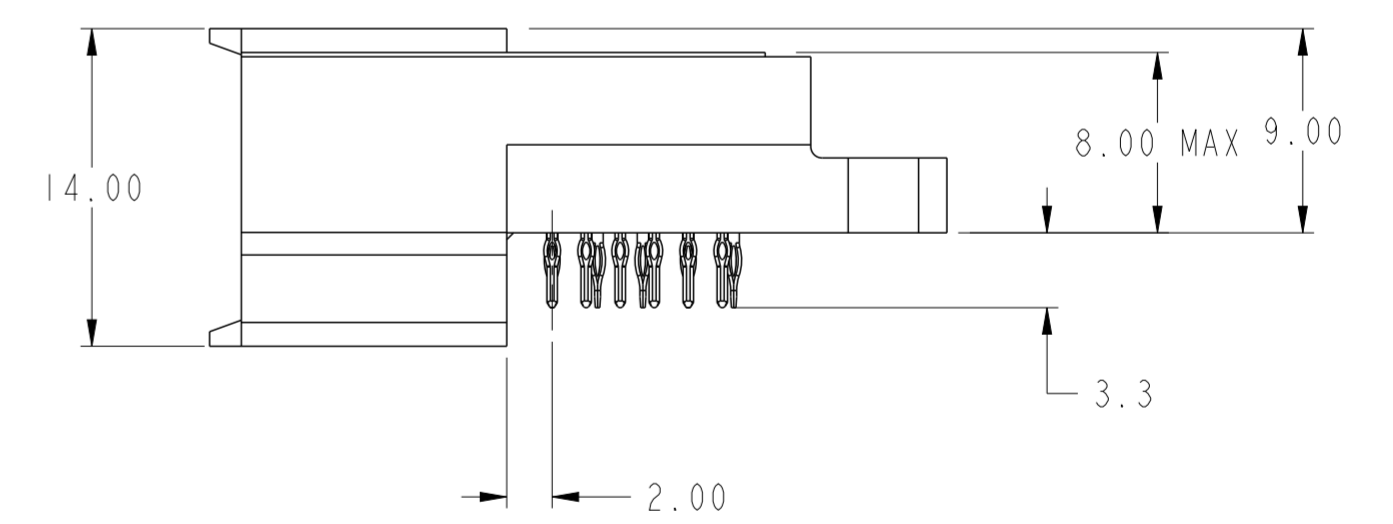
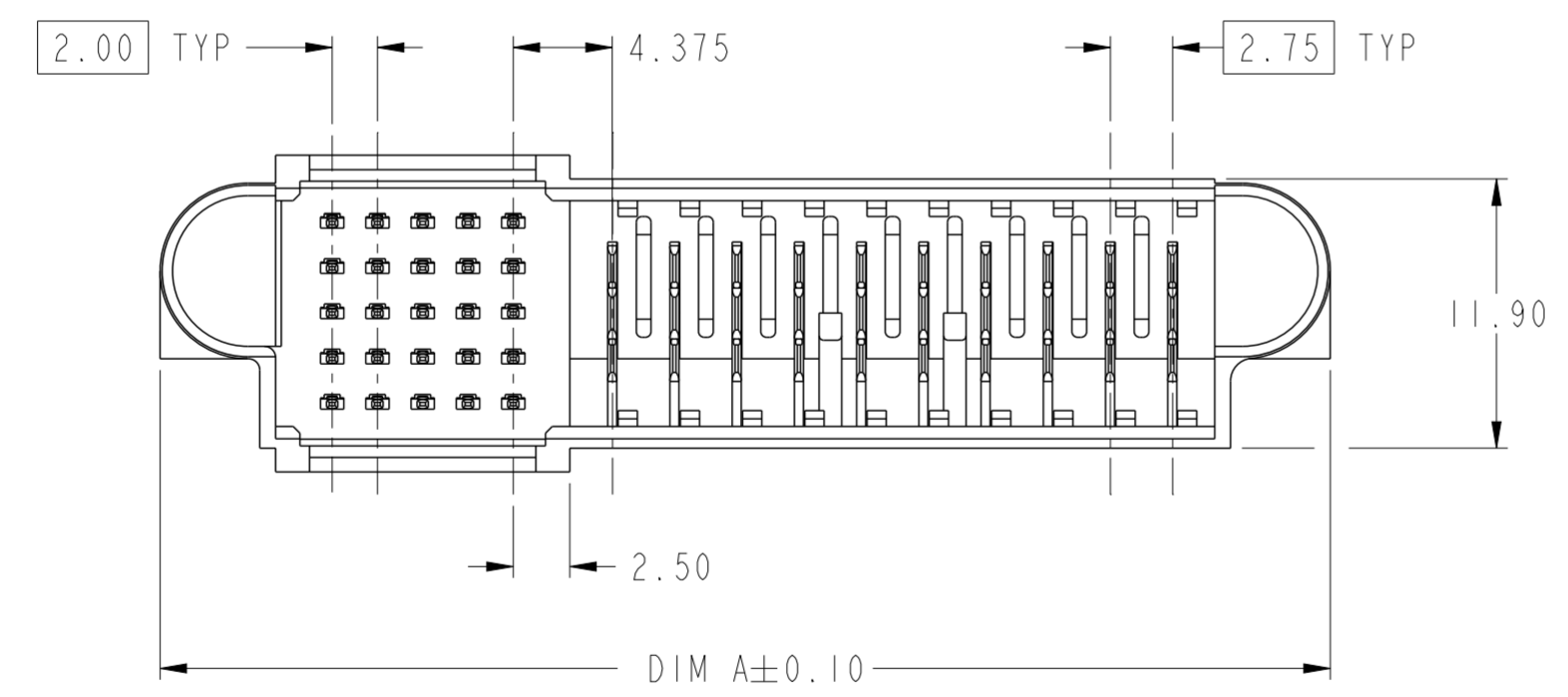
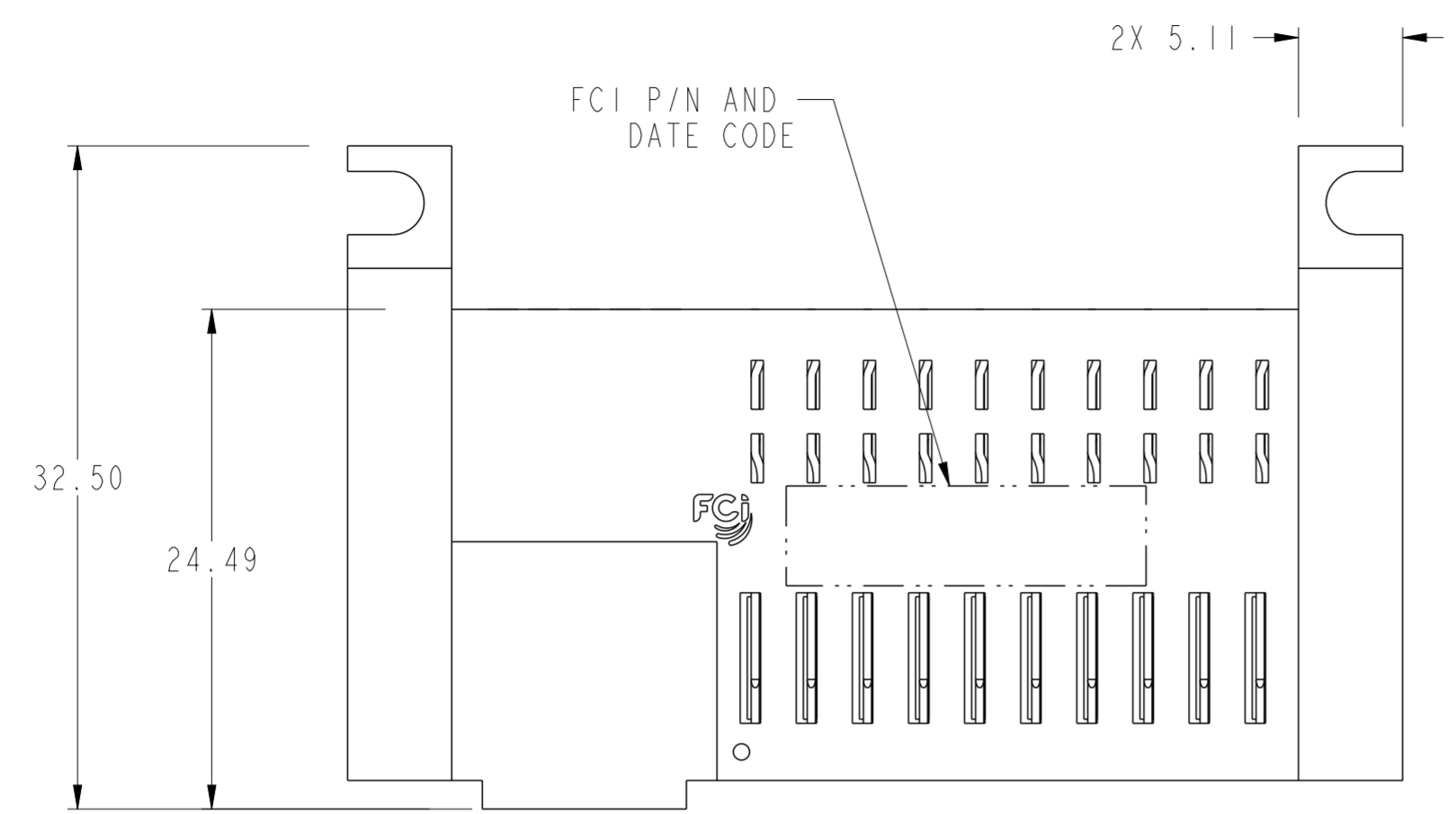
MOUNTING FEATURES

STYLE



|               |                                       |       |               |            |  |                    |                |                |                        |     |  |
|---------------|---------------------------------------|-------|---------------|------------|--|--------------------|----------------|----------------|------------------------|-----|--|
| spec ref      | SEE NOTES                             | dr    | Zhang Hong-Tu | 2012/07/04 | projection   | MM                 | size           | A2             | scale                  | 2:1 |  |
| tolerance std | TOLERANCES UNLESS OTHERWISE SPECIFIED | eng   | Heaven Cen    | 2014/03/02 |  |                    | ecn no         | ELX-DG-17027-1 |                        |     |  |
| ASME Y14.5    |                                       | chr   | Jon Qin       | 2014/03/02 |  |                    | rel level      | Released       |                        |     |  |
|               |                                       | appr  | Collins Lu    | 2014/03/02 |  |                    | product family | PwrLoPro       |                        |     |  |
| surface       | linear                                | 0.X   | ±0.30         |            | <b>PWR LP HEADER ASSEMBLY</b><br>RA, PASSIVE GUIDE | dwg no<br>10108877 | rev<br>G       |                |                        |     |  |
|               |                                       | 0.XX  | ±0.20         |            |  |                    |                | cat. no.       | Product - Customer Drw |     |  |
|               |                                       | 0.XXX | ±0.10         |            |  |                    |                | sheet 1 of 5   |                        |     |  |
| ASME Y14.5    | angular                               | 0°    | ±2°           |            |  |                    |                |                |                        |     |  |

| PART NUMBER        | CONFIGURATION | DIM "A" | DIM "B" | "C" SPACES | "D" SPACES | "E" PLACES | "F" PLACES | MOUNTING FEATURE |
|--------------------|---------------|---------|---------|------------|------------|------------|------------|------------------|
| 10108877-R10253SLF | 25S + 10P     | 51.71   | 47.31   | 4          | 9          | 25         | 60         | SCREW MOUNT      |
| 10108877-R08203SLF | 20S + 8P      | 44.21   | 39.81   | 3          | 7          | 20         | 48         | SCREW MOUNT      |
| 10108877-R24403SLF | 40S + 24P     | 96.21   | 91.81   | 7          | 23         | 40         | 144        | SCREW MOUNT      |



10108877-R10253SLF AS SHOWN  
SCREW MOUNT TYPE

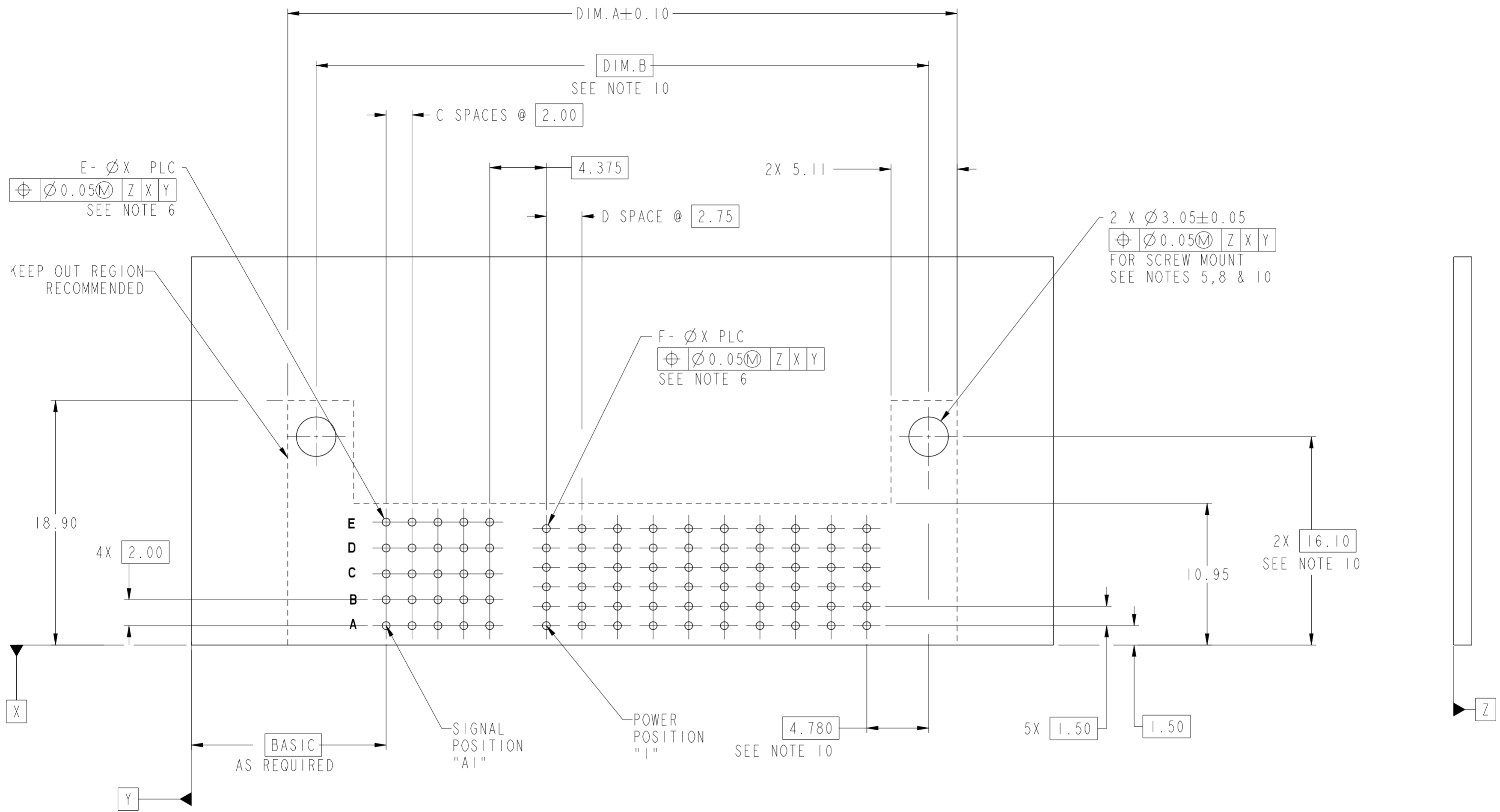
|               |            |      |               |             |            |    |                        |                |           |          |  |
|---------------|------------|------|---------------|-------------|------------|----|------------------------|----------------|-----------|----------|--|
| spec ref      | SEE NOTES  | dr   | Zhang Hong-Tu | 2012/07/04  | projection | MM | size                   | A2             | scale     | 3:1      |  |
| tolerance std | ASME Y14.5 | eng  | Heaven Cen    | 2014/03/02  |            |    | ecn no                 | ELX-DG-17027-1 |           |          |  |
| surface       | ✓          | chr  | Jon Qin       | 2014/03/02  |            |    | rel level              | Released       |           |          |  |
| ASME Y14.5    | linear     | appr | Collins Lu    | 2014/03/02  |            |    | product family         | PwrLoPro       | rel level | Released |  |
|               | angular    | 0°   | ±2°           | www.fci.com | cat. no.   | -  | Product - Customer Drw | sheet 2 of 5   |           |          |  |

PDS: Rev :G

STATUS:Released

Printed: Mar 03, 2014

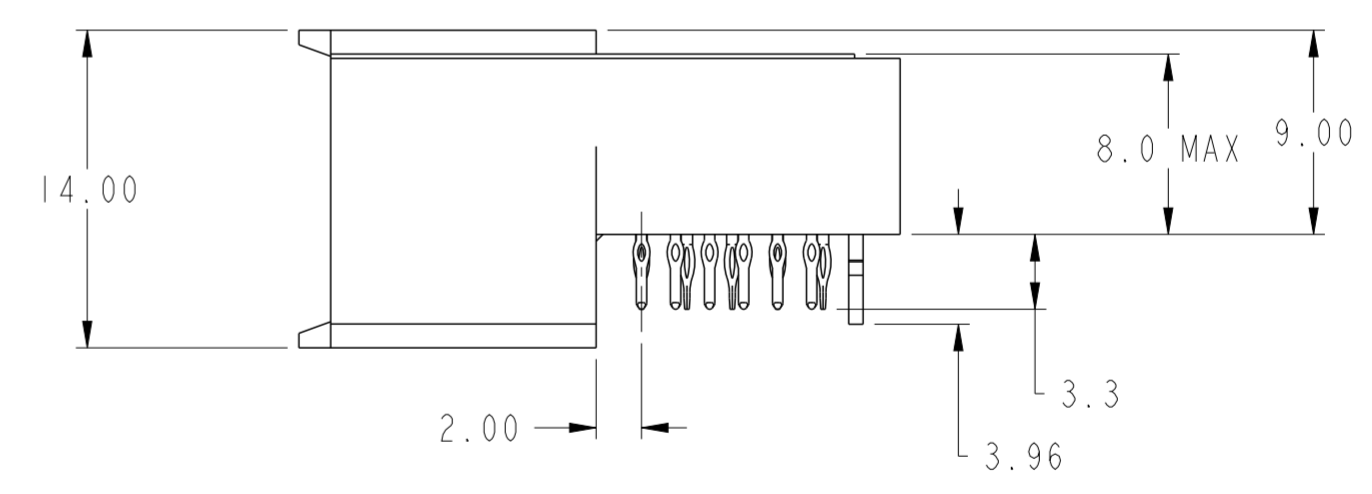
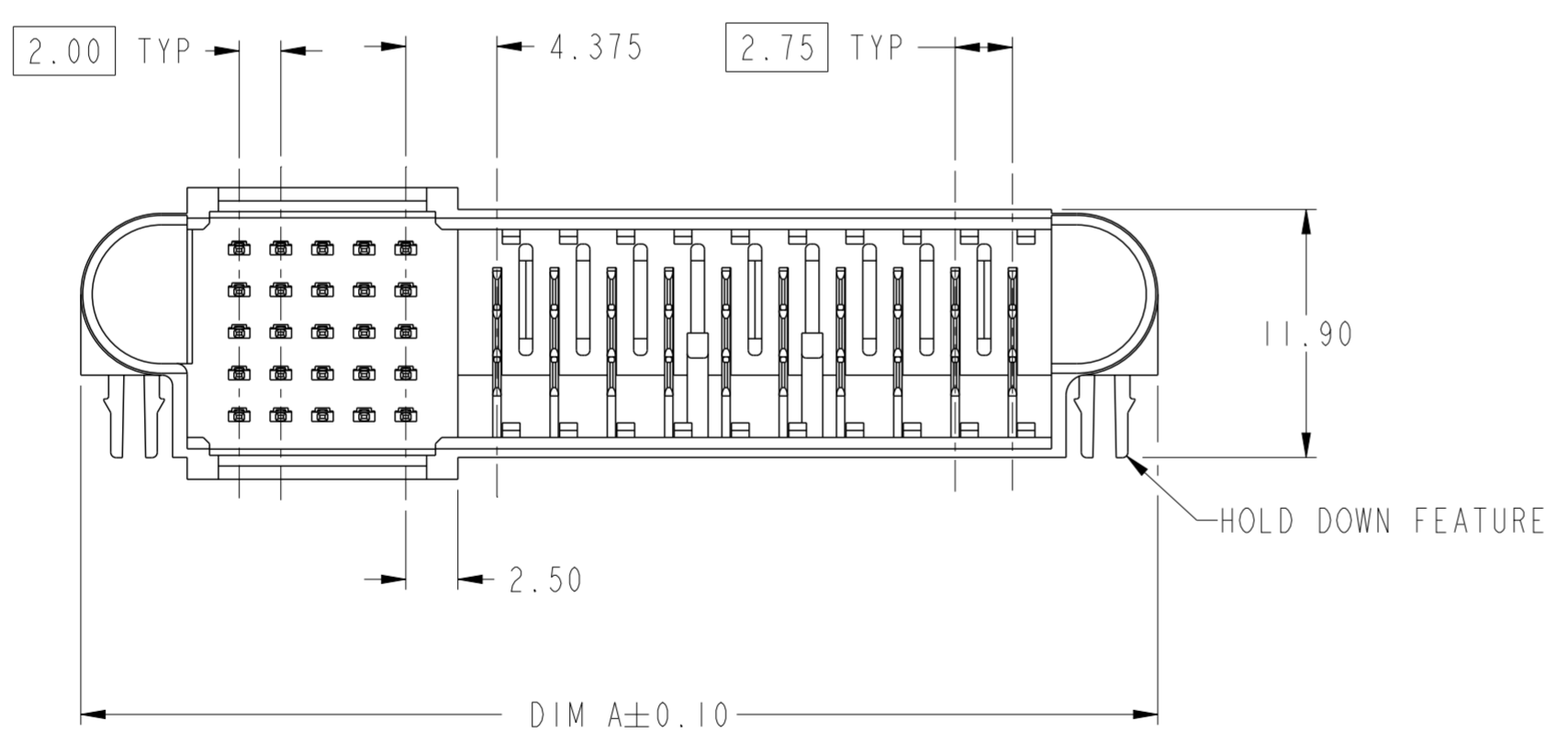
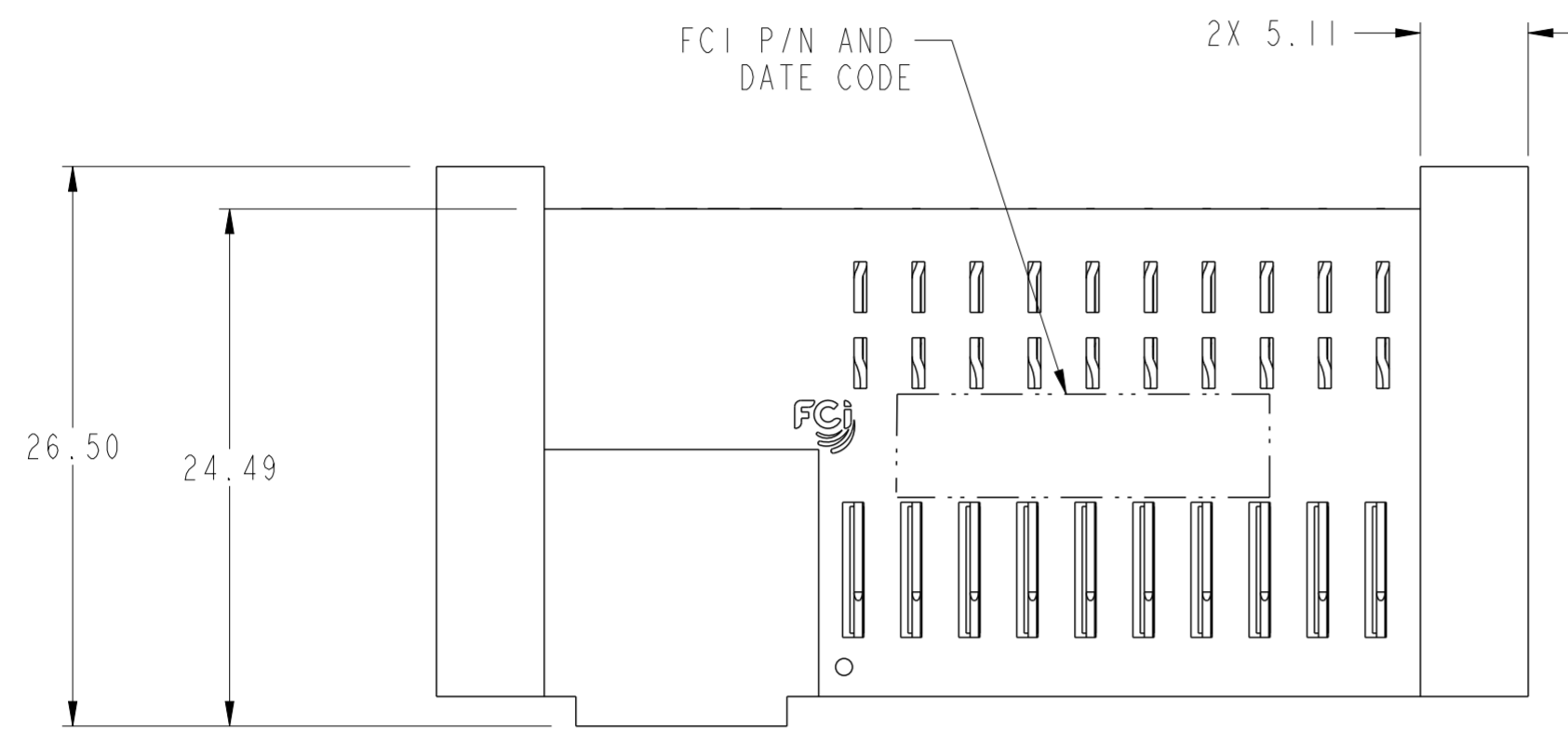
Copyright FCI.



10108877-R10253SLF SHOWN  
 RECOMMENDED PRINTED CIRCUIT BOARD LAYOUT SEE NOTE 4  
 FOR 10108877-RXXXX3SLF SCREW MOUNT TYPE  
 (AS VIEWED FROM COMPONENT SIDE)

|               |            |      |               |            |            |    |                |                |          |          |     |
|---------------|------------|------|---------------|------------|------------|----|----------------|----------------|----------|----------|-----|
| spec ref      | SEE NOTES  | dr   | Zhang Hong-Tu | 2012/07/04 | projection | MM | size           | A2             | scale    | 4:1      |     |
| tolerance std | ASME Y14.5 | eng  | Heaven Cen    | 2014/03/02 |            |    | ecn no         | ELX-DG-17027-1 |          |          |     |
| surface       | ✓          | chr  | Jon Qin       | 2014/03/02 |            |    | rel level      | Released       |          |          |     |
| ASME Y14.5    | linear     | appr | Collins Lu    | 2014/03/02 |            |    | product family | PwrLoPro       | cat. no. | 10108877 | rev |
|               | angular    |      |               |            |            |    |                |                |          |          |     |

| PART NUMBER        | CONFIGURATION | DIM "A" | DIM "B" | "C" SPACES | "D" SPACES | "E" PLACES | "F" PLACES | MOUNTING FEATURE |
|--------------------|---------------|---------|---------|------------|------------|------------|------------|------------------|
| 10108877-R10253HLF | 25S + 10P     | 51.71   | 46.60   | 4          | 9          | 25         | 60         | HOLD DOWN        |
| 10108877-R08203HLF | 20S + 8P      | 44.21   | 39.10   | 3          | 7          | 20         | 48         | HOLD DOWN        |
| 10108877-R24403HLF | 40S + 24P     | 96.21   | 91.10   | 7          | 23         | 40         | 144        | HOLD DOWN        |



10108877-R10253HLF AS SHOWN  
HOLD DOWN TYPE

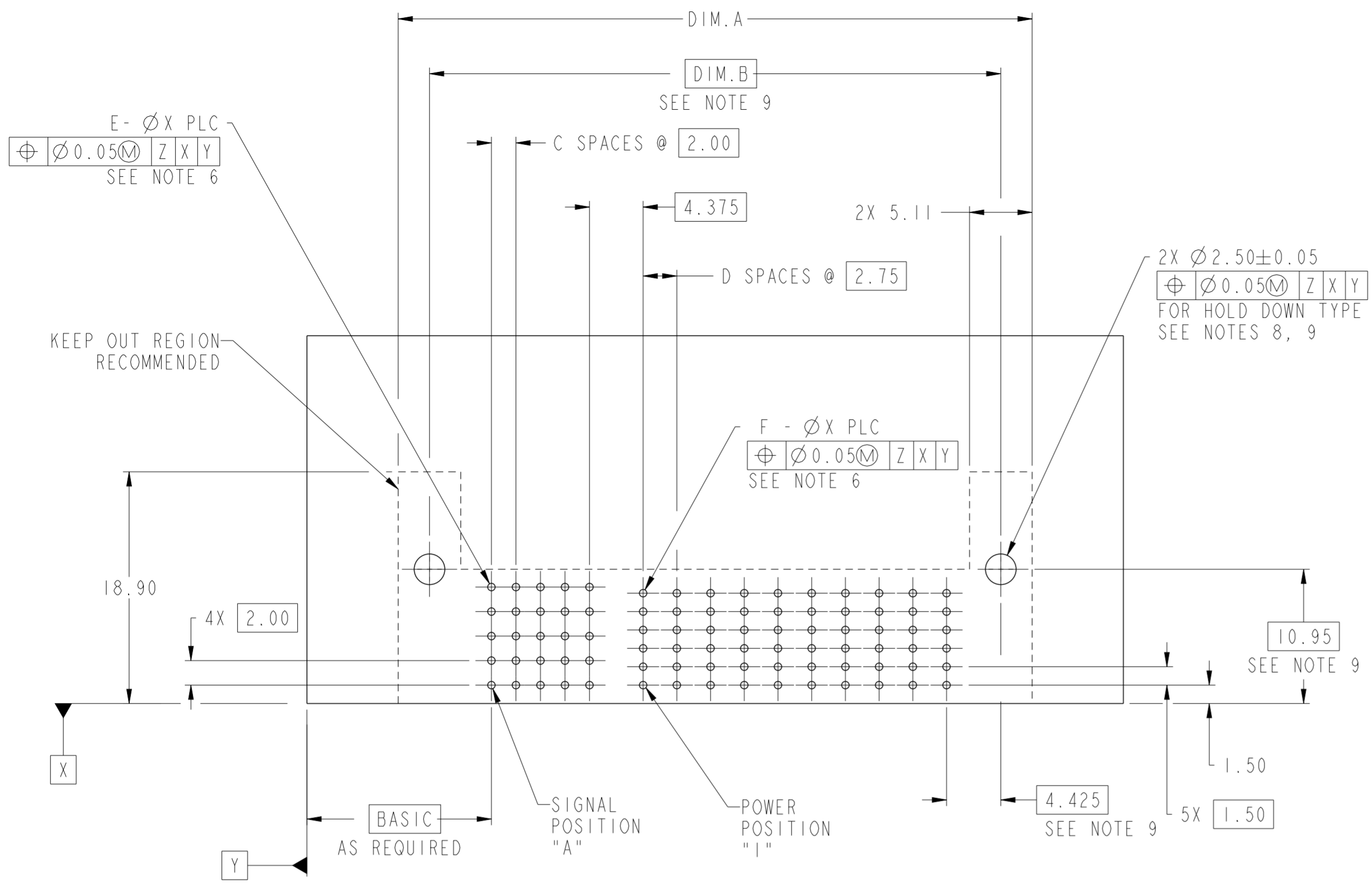
|               |            |      |               |             |            |                        |                |                |              |     |
|---------------|------------|------|---------------|-------------|------------|------------------------|----------------|----------------|--------------|-----|
| spec ref      | SEE NOTES  | dr   | Zhang Hong-Tu | 2012/07/04  | projection | MM                     | size           | A2             | scale        | 3:1 |
| tolerance std | ASME Y14.5 | eng  | Heaven Cen    | 2014/03/02  |            |                        | ecn no         | ELX-DG-17027-1 |              |     |
| surface       | ✓          | chr  | Jon Qin       | 2014/03/02  |            |                        | rel level      | Released       |              |     |
| ASME Y14.5    | linear     | appr | Collins Lu    | 2014/03/02  |            |                        | product family |                |              |     |
|               | angular    | 0°   | ±2°           | www.fci.com | cat. no.   | Product - Customer Drw |                |                | sheet 4 of 5 |     |

PDS: Rev :G

STATUS:Released

Printed: Mar 03, 2014

Copyright FCI.



NOTES:

1. HOUSING MATERIAL: GF LCP, COLOR: BLACK, UL 94 V-0 RATED  
 SIGNAL CONTACT MATERIAL: PHOSPHOR BRONZE  
 SIGNAL PIN OVERMOLD MATERIAL: GF POLYESTER  
 POWER CONTACT MATERIAL: COPPER ALLOY
2. PLATING ON SIGNAL CONTACTS: 1.27µm MIN Ni UNDERPLATING ALL OVER WITH 0.76µm MIN GXT IN CONTACT MATING AREA, AND 0.5µm MIN MATTE TIN ON TAIL AREA.  
  
 PLATING ON POWER CONTACTS: 1.27µm MIN Ni UNDERPLATING ALL OVER WITH 0.76µm MIN GXT IN CONTACT MATING AREA, AND 0.5µm MIN MATTE TIN ON TAIL AREA.  
  
 PLATING ON HOLD DOWN IF APPLICABLE: 1.27µm MIN Ni, UNDERPLATING ALL OVER WITH 0.76µm MIN MATTE TIN OVER.
3. LUBRICATION: LUBRICATE ON CONTACT AREA.
4. RECOMMENDED PCB THICKNESS IS:  
 FOR PRESS FIT APPLICATION: 1.4mm MIN  
 FOR SOLDER APPLICATION: 1.40mm THROUGH 2.62mm.
5. FOR SCREW MOUNT APPLICATIONS, A #4-40 UNC PAN SCREW WITH HEX NUT IS RECOMMENDED (SUPPLIED BY CUSTOMER).
6. FOR PRESS FIT Ø0.61mm, FOR SOLDER Ø0.90mm.
7. PRODUCT SPECIFICATION GS-12-1064  
 APPLICATION SPECIFICATION GS-20-0362
8. UNPLATED HOLES

**10108877-R10253HLF SHOWN**  
**RECOMMENDED PRINTED CIRCUIT BOARD LAYOUT SEE NOTE 4**  
**FOR 10108877-RXXXX3HLF HOLD DOWN TYPE**  
 (AS VIEWED FROM COMPONENT SIDE)

- 9. HOLD DOWN APPLICATION NEEDED
- 10. SCREW MOUNT APPLICATION NEEDED.

|               |            |        |               |             |            |          |                        |                        |              |     |
|---------------|------------|--------|---------------|-------------|------------|----------|------------------------|------------------------|--------------|-----|
| spec ref      | SEE NOTES  | dr     | Zhang Hong-Tu | 2012/07/04  | projection | MM       | size                   | A2                     | scale        | 1:1 |
| tolerance std | ASME Y14.5 | eng    | Heaven Cen    | 2014/03/02  |            |          | ecn no                 | ELX-DG-17027-1         |              |     |
| chr           |            | chr    | Jon Qin       | 2014/03/02  |            |          | rel level              | Released               |              |     |
| appr          |            | appr   | Collins Lu    | 2014/03/02  |            |          | product family         | PwrLoPro               |              |     |
| surface       | ✓          | linear | 0.X           | ±0.30       |            |          | title                  | PWR LP HEADER ASSEMBLY |              |     |
|               |            |        | 0.XX          | ±0.20       |            |          | RA, PASSIVE GUIDE      | dwg no                 | 10108877     |     |
|               |            |        | 0.XXX         | ±0.10       |            |          |                        | rev                    | G            |     |
| ASME Y14.5    | angular    | 0°     | ±2°           | www.fci.com |            | cat. no. | Product - Customer Drw |                        | sheet 5 of 5 |     |