

PLS-051B-6PPI



PLS-051B-6PPI

Power Level Sensor

Electrical Characteristics @ 25 °C

Contact form		B
Contact rating max.	W / VA	50
Switching voltage max.	VDC	200
	VAC	250
Switching current max.	A	1.5
Carry current max.	A	2
Breakdown voltage min.	VDC	400
Total resistance max.	mΩ	280

Environmental Characteristics

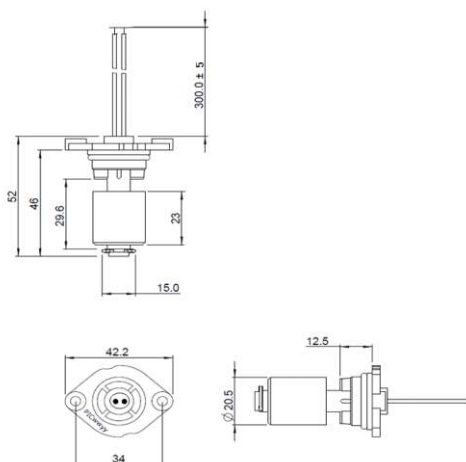
Operating temperature	°C	-20 to +80
Storage temperature	°C	-30 to +80

Mechanical Characteristics

Density of float typ.*	g / cm ³	0.8
Recommended minimum gravity of medium	g / cm ³	Density of float + 20%

* in delivery condition

Dimensions in mm



Features

- Mains voltage variant
- Polypropylene housing
- Not ESD sensitive
- FDA test passed

Approvals



Ordering Information

Packing Unit	10	pcs
Weight per piece	17.25	g
Weight per package	185	g

PLS-051B-6PPI

PLS-051B-6PPI

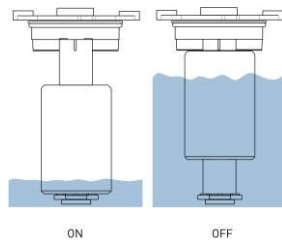
Power Level Sensor



Material Information

	Material	Colour
Housing	PP	white
Cable	UL 1007, AWG 22, 4 mm stripped and tinned	white
Float	PP foam	white
Sealing ring	Silicone	brown
Potting	PU / Epoxy	black

Operation View

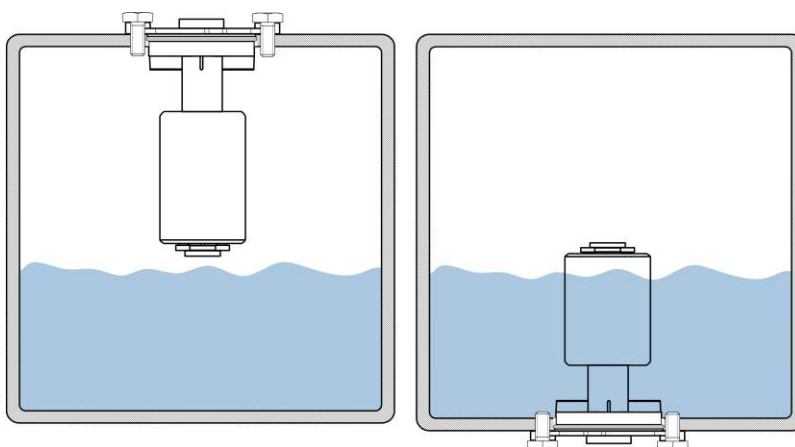


Remarks

When mounted near ferromagnetic parts switching distance of PLS-051B-6PPI may vary.

Electromagnetical influences and magnetic fields may change the switching behaviour of the Level Sensor.

Mounting



When mounted stem up, operating functions are reversed.