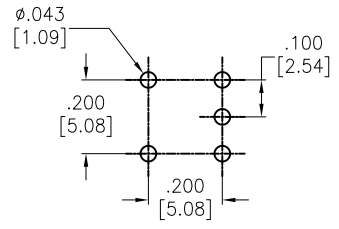
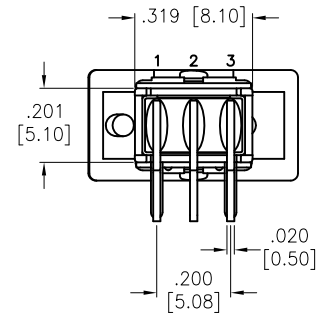
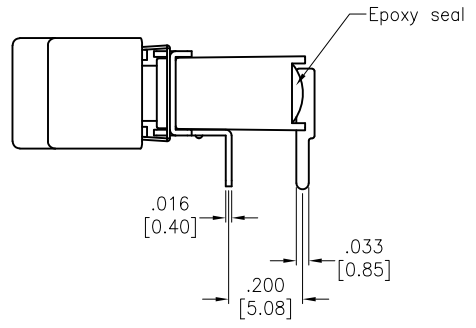
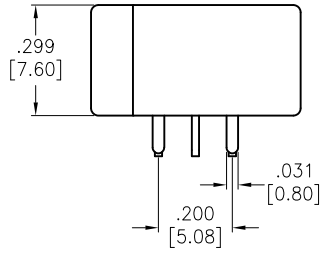
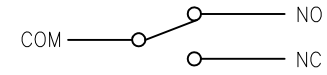
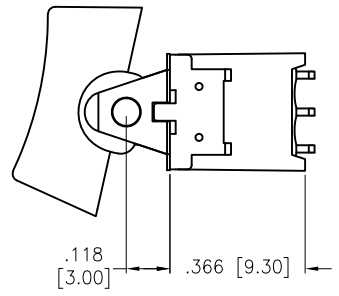


Rev	AWO #	Description	Date	Appr
-		RELEASED	12/24/20	
A		UPDATE TITLE	6/25/21	WX/RC

APPROVED: _____
 DATE: _____ TITLE: _____

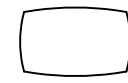


RECOMMENDED PCB LAYOUT



CIRCUIT DIAGRAM
(SPDT) ON-ON

SWITCH MARKINGS



SPECIFICATIONS:

Material:
 Movable contact: Copper Alloy, Gold over Nickel Plated
 Terminals: Copper Alloy, Gold over Nickel Plated
 Electrical:
 Rating: 0.4 VA max @ 20V max (AC or DC)
 Contact resistance: 20 mohms max initial
 Insulation resistance: 1,000 Mohms min
 Dielectric withstanding voltage: 1,500V RMS @ sea level
 Electrical life: 30,000 make and break cycles at full load
 Temperature Rating:
 Operating temperature: -30°C to +85°C
 Environmental:
 IP Class: IP67
 Lead free, RoHS compliant



UNLESS OTHERWISE SPECIFIED ALL DIMENSIONS ARE INCHES [MM] TOLERANCES: EXCEPT AS NOTED		
INCHES		
.X ± .10	∅.X ± .10	HOLES
.XX ± .020	∅.XX ± .015	
.XXX ± .015	∅.XXX ± .010	
APPROVALS		DATE
DRAWN	OW	12/24/20
CHECKED	AC	12/24/20
APPROVED		

ADAM TECH 909 Rahway Avenue,
 Union, NJ 07083
 Phone: 908-687-5000
 Fax: 908-687-5710

TITLE: SUB-MINIATURE ROCKER SWITCH, SPDT,
 ON-ON, PCB RIGHT ANGLE TYPE

SIZE X	PART NO. SW-R3-2B-C-5-G-14	REV. A
REF: S00198T	SCALE: NTS	SHEET 1 OF 1

6

5

4

3

2

1

6

5

4

3

2

1