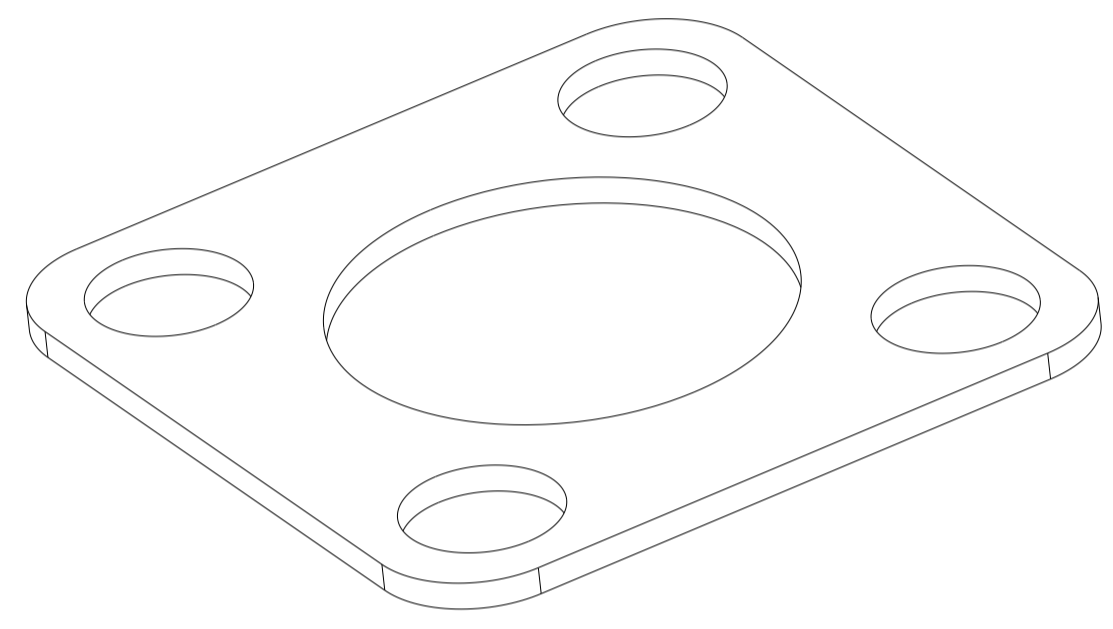
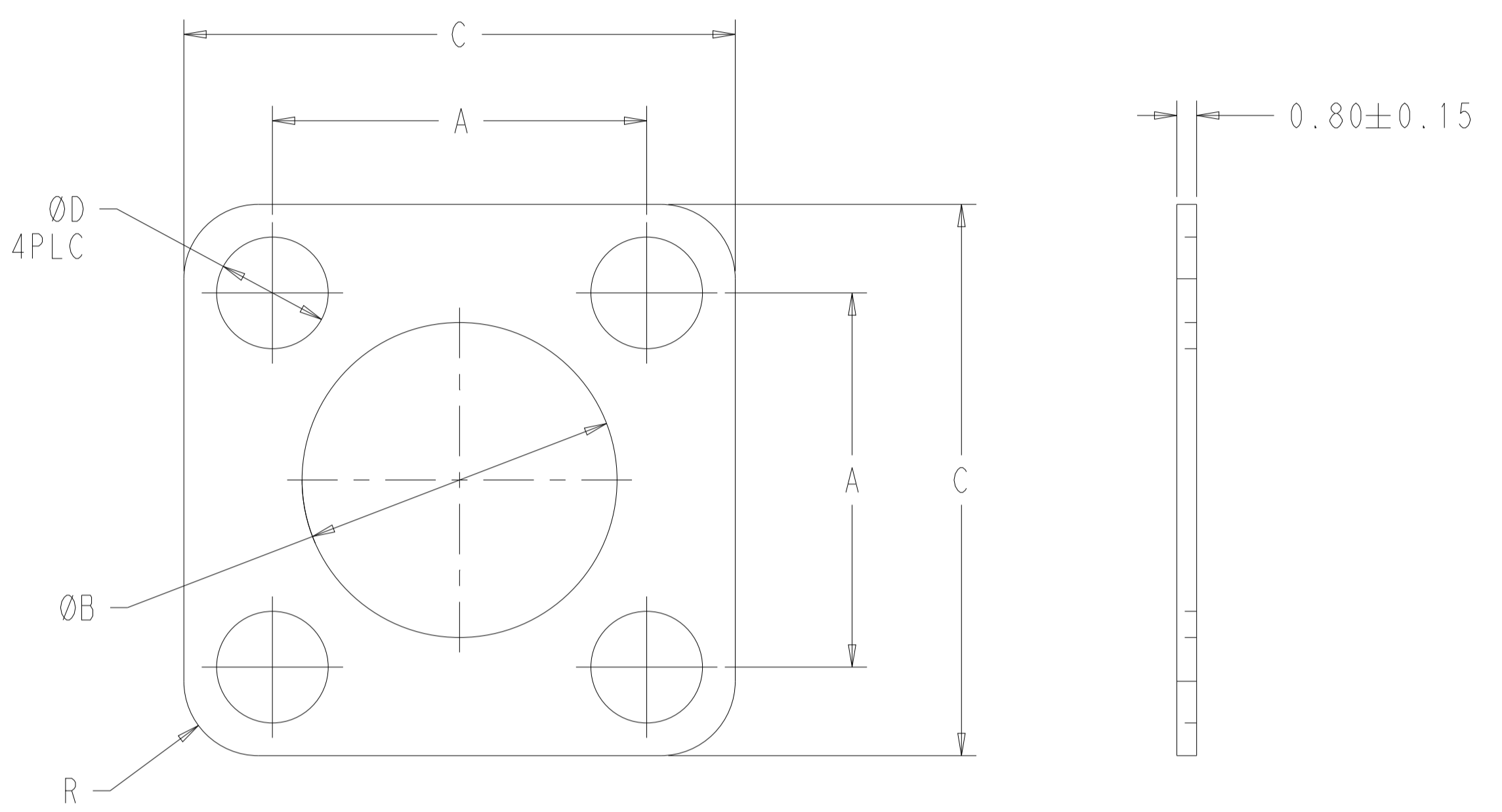


MATERIAL SPECIFIC DATA TABLE

TEST SPECIFICATION / MATERIAL CODE	SILICONE NICKEL GRAPHITE (SNG)	SILICONE SILVER ALUMINIUM (SSA)	FLUOROSILICONE NICKEL GRAPHITE (FNG)	FLUOROSILICONE SILVER ALUMINIUM (FSA)
RECOMMENDED OPERATING TEMPERATURE RANGE (°C)	-55 to 160	-55 to 160	-55 to 160	-55 to 160
SPECIFIC GRAVITY ± 13%	2.000	2.000	2.200	2.000
SHORE A HARDNESS ± 7	65	65	65	70
MAXIMUM VOLUME RESISTIVITY (Ω.CM)	0.05	0.008	0.05	0.012

REVISIONS				
P	LTN	DESCRIPTION	DATE	APPV
A		NEW DRAWING	25JUL2022	BDA DH
A1		ADDED NEW PART NUMBERS	18AUG2022	BDA DH

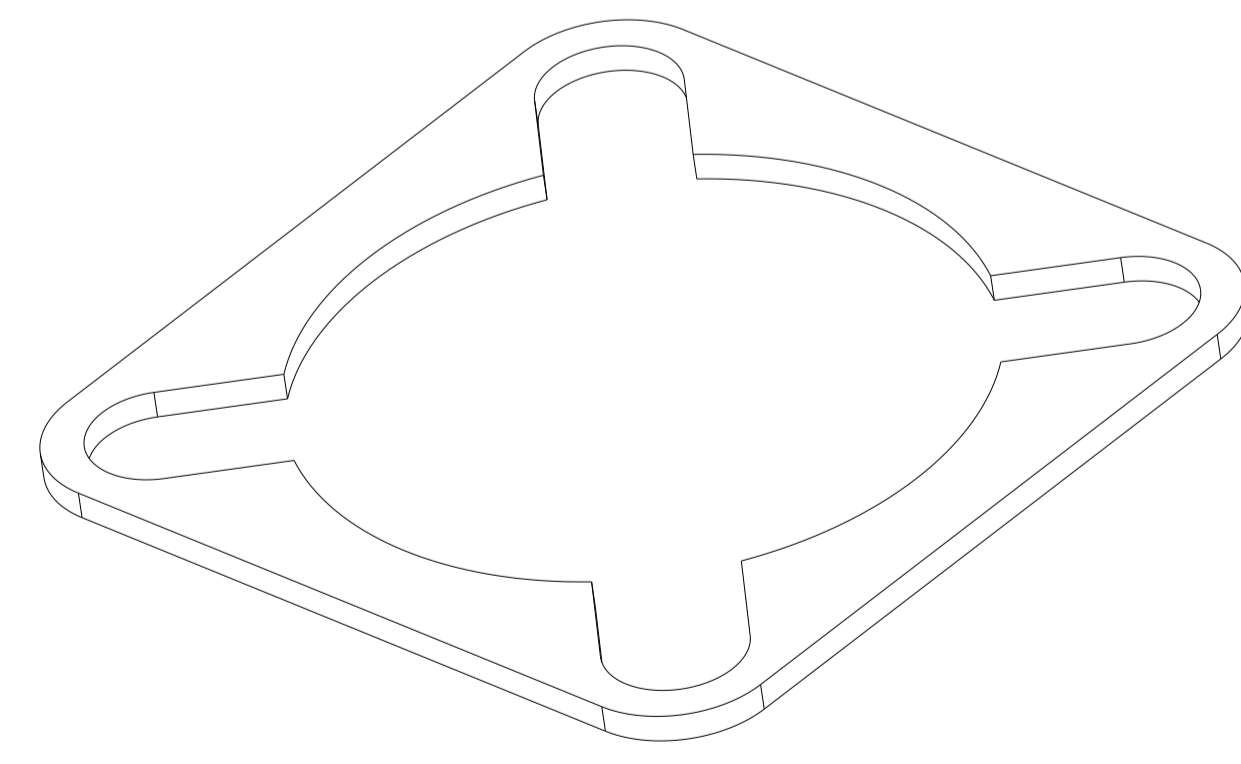
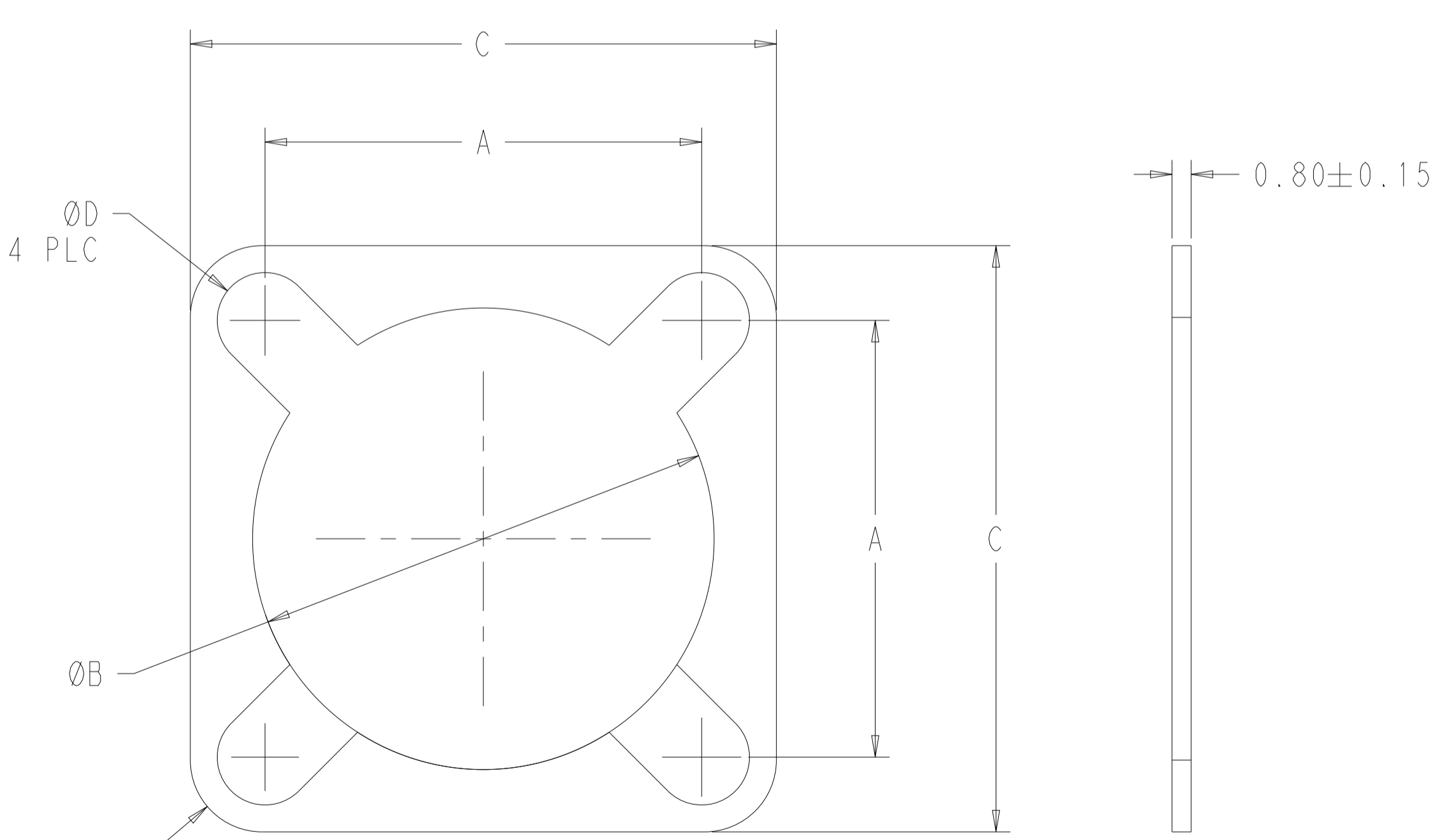
HOLE PROFILE (SERIES I, II & IV)



ISOMETRIC VIEW (NTS)

MATERIAL	SHELL SIZE	SERIES	COLOUR	A±0.4	ØB±0.2	C±0.5	ØD±0.2	R±0.5	ALIAS PART NUMBER	PART NUMBER
FSA	25	III	LIGHT GREEN	38.10	44.70	47.63	4.5	5.0	93-22076	2428016-1
FSA	25	I & IV	LIGHT GREEN	38.10	44.70	47.63	4.5	5.0	93-22040	2424049-1
FSA	23/24	I, II & IV	LIGHT GREEN	34.93	41.53	44.45	4.5	5.0	93-22039	2424047-1
FSA	23	III	LIGHT GREEN	34.93	41.53	44.45	4.5	5.0	93-22072	2428012-1
FSA	21/22	I, II & IV	LIGHT GREEN	31.75	38.35	41.28	4.0	4.0	93-22038	2424045-1
FSA	21	III	LIGHT GREEN	31.75	38.35	41.28	4.0	4.0	93-22068	2428008-1
FSA	19/20	I, II & IV	LIGHT GREEN	29.36	35.18	38.10	4.0	4.5	93-22037	2424043-1
FSA	19	III	LIGHT GREEN	29.36	35.18	38.10	4.0	4.5	93-22064	2428004-1
FSA	17/18	I, II & IV	LIGHT GREEN	26.97	32.25	34.32	4.0	3.5	93-22036	2424041-1
FSA	17	III	LIGHT GREEN	26.97	32.25	34.32	4.0	3.5	93-22060	2428000-1
FSA	15/16	I, II & IV	LIGHT GREEN	24.61	29.05	31.95	4.0	3.5	93-22035	2424039-1
FSA	15	III	LIGHT GREEN	24.61	29.05	31.95	4.0	3.5	93-22056	2427996-1
FSA	13/14	I, II & IV	LIGHT GREEN	23.01	25.78	29.29	4.0	3.5	93-22034	2424037-1
FSA	13	III	LIGHT GREEN	23.01	25.78	29.29	4.0	3.5	93-22052	2427992-1
FSA	11/12	I & IV	LIGHT GREEN	20.62	22.48	26.92	4.0	3.5	93-22033	2424035-1
FSA	11	III	LIGHT GREEN	20.62	22.48	26.92	4.0	3.5	93-22048	2427988-1
FSA	9/10	I & II	LIGHT GREEN	18.26	19.30	24.51	4.0	3.0	93-22032	2424033-1
FSA	9	III	LIGHT GREEN	18.26	19.30	24.51	4.0	3.0	93-22044	2427984-1
FSA	8	II	LIGHT GREEN	15.09	16.25	21.34	4.0	1.5	93-22031	2424032-1
SSA	25	III	BEIGE	38.10	44.70	47.63	4.5	5.0	93-22074	2428014-1
SSA	25	I & IV	BEIGE	38.10	44.70	47.63	4.5	5.0	93-22030	2424008-1
SSA	23/24	I, II & IV	BEIGE	34.93	41.53	44.45	4.5	5.0	93-22029	2424006-1
SSA	23	III	BEIGE	34.93	41.53	44.45	4.5	5.0	93-22070	2428010-1
SSA	21/22	I, II & IV	BEIGE	31.75	38.35	41.28	4.0	4.0	93-22028	2424004-1
SSA	21	III	BEIGE	31.75	38.35	41.28	4.0	4.0	93-22066	2428006-1
SSA	19/20	I, II & IV	BEIGE	29.36	35.18	38.10	4.0	4.5	93-22027	2424002-1
SSA	19	III	BEIGE	29.36	35.18	38.10	4.0	4.5	93-22062	2428002-1
SSA	17/18	I, II & IV	BEIGE	26.97	32.25	34.32	4.0	3.5	93-22026	2423999-1
SSA	17	III	BEIGE	26.97	32.25	34.32	4.0	3.5	93-22058	2427998-1
SSA	15/16	I, II & IV	BEIGE	24.61	29.05	31.95	4.0	3.5	93-22025	2423997-1
SSA	15	III	BEIGE	24.61	29.05	31.95	4.0	3.5	93-22054	2427994-1
SSA	13/14	I, II & IV	BEIGE	23.01	25.78	29.29	4.0	3.5	93-22024	2423995-1
SSA	13	III	BEIGE	23.01	25.78	29.29	4.0	3.5	93-22050	2427990-1
SSA	11/12	I, II & IV	BEIGE	20.62	22.48	26.92	4.0	3.5	93-22023	2423993-1
SSA	11	III	BEIGE	20.62	22.48	26.92	4.0	3.5	93-22046	2427986-1
SSA	9/10	I, II & IV	BEIGE	18.26	19.30	24.51	4.0	3.0	93-22022	2423991-1
SSA	9	III	BEIGE	18.26	19.30	24.51	4.0	3.0	93-22042	2427982-1
SSA	8	II	BEIGE	15.09	16.25	21.34	4.0	1.5	93-22021	2423990-1
FNG	25	III	DARK GREEN	38.10	44.70	47.63	4.5	5.0	93-22075	2428015-1
FNG	25	I, II & IV	DARK GREEN	38.10	44.70	47.63	4.5	5.0	93-22020	2423966-1
FNG	23/24	I, II & IV	DARK GREEN	34.93	41.53	44.45	4.5	5.0	93-22019	2423964-1
FNG	23	III	DARK GREEN	34.93	41.53	44.45	4.5	5.0	93-22071	2428011-1
FNG	21/22	I, II & IV	DARK GREEN	31.75	38.35	41.28	4.0	4.0	93-22018	2423962-1
FNG	21	III	DARK GREEN	31.75	38.35	41.28	4.0	4.0	93-22067	2428007-1
FNG	19/20	I, II & IV	DARK GREEN	29.36	35.18	38.10	4.0	4.5	93-22017	2423960-1
FNG	19	III	DARK GREEN	29.36	35.18	38.10	4.0	4.5	93-22063	2428003-1
FNG	17/18	I, II & IV	DARK GREEN	26.97	32.25	34.32	4.0	3.5	93-22016	2423958-1
FNG	17	III	DARK GREEN	26.97	32.25	34.32	4.0	3.5	93-22059	2427999-1
FNG	15/16	I, II & IV	DARK GREEN	24.61	29.05	31.95	4.0	3.5	93-22015	2423956-1
FNG	15	III	DARK GREEN	24.61	29.05	31.95	4.0	3.5	93-22055	2427995-1
FNG	13/14	I, II & IV	DARK GREEN	23.01	25.78	29.29	4.0	3.5	93-22014	2423954-1
FNG	13	III	DARK GREEN	23.01	25.78	29.29	4.0	3.5	93-22051	2427991-1
FNG	11/12	I, II & IV	DARK GREEN	20.62	22.48	26.92	4.0	3.5	93-22013	2423952-1
FNG	11	III	DARK GREEN	20.62	22.48	26.92	4.0	3.5	93-22047	2427987-1
FNG	9/10	I, II & IV	DARK GREEN	18.26	19.30	24.51	4.0	3.0	93-22012	2423950-1
FNG	9	III	DARK GREEN	18.26	19.30	24.51	4.0	3.0	93-22043	2427983-1
FNG	8	II	DARK GREEN	15.09	16.25	21.34	4.0	1.5	93-22011	2423949-1
SNG	25	III	DARK GREY	38.10	44.70	47.63	4.5	5.0	93-22073	2428013-1
SNG	25	I & IV	DARK GREY	38.10	44.70	47.63	4.5	5.0	93-22010	2423925-1
SNG	23/24	I, II & IV	DARK GREY	34.93	41.53	44.45	4.5	5.0	93-22009	2423923-1
SNG	23	III	DARK GREY	34.93	41.53	44.45	4.5	5.0	93-22069	2428009-1
SNG	21/22	I, II & IV	DARK GREY	31.75	38.35	41.28	4.0	4.0	93-22008	2423921-1
SNG	21	III	DARK GREY	31.75	38.35	41.28	4.0	4.0	93-22065	2428005-1
SNG	19/20	I, II & IV	DARK GREY	29.36	35.18	38.10	4.0	4.5	93-22007	2423919-1
SNG	19	III	DARK GREY	29.36	35.18	38.10	4.0	4.5	93-22061	2428001-1
SNG	17/18	I, II & IV	DARK GREY	26.97	32.25	34.32	4.0	3.5	93-22006	2423917-1
SNG	17	III	DARK GREY	26.97	32.25	34.32	4.0	3.5	93-22057	2427997-1
SNG	15/16	I, II & IV	DARK GREY	24.61	29.05	31.95	4.0	3.5	93-22005	2423915-1
SNG	15	III	DARK GREY	24.61	29.05	31.95	4.0	3.5	93-22053	2427993-1
SNG	13/14	I, II & IV	DARK GREY	23.01	25.78	29.29	4.0	3.5	93-22004	2423913-1
SNG	13	III	DARK GREY	23.01	25.78	29.29	4.0	3.5	93-22049	2427989-1
SNG	11/12	I, II & IV	DARK GREY	20.62	22.48	26.92	4.0	3.5	93-22003	2423911-1
SNG	11	III	DARK GREY	20.62	22.48	26.92	4.0	3.5	93-22045	2427985-1
SNG	9/10	I & II	DARK GREY	18.26	19.30	24.51	4.0	3.0	93-22002	2423909-1
SNG	9	III	DARK GREY	18.26	19.30	24.51	4.0	3.0	93-22041	2427981-1
SNG	8	II	DARK GREY	15.09	16.25	21.34	4.0	1.5	93-22001	2423908-1

SLOT PROFILE (SERIES III)



ISOMETRIC VIEW (NTS)

THIS DRAWING IS A CONTROLLED DOCUMENT.

TE Connectivity

93 CONNECTOR GASKETS  
MIL-DTL-38999

00779 93-CONNECTOR-GASKETS

SCALE 5:1