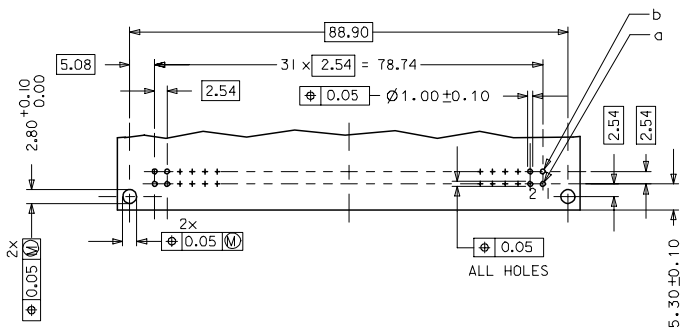
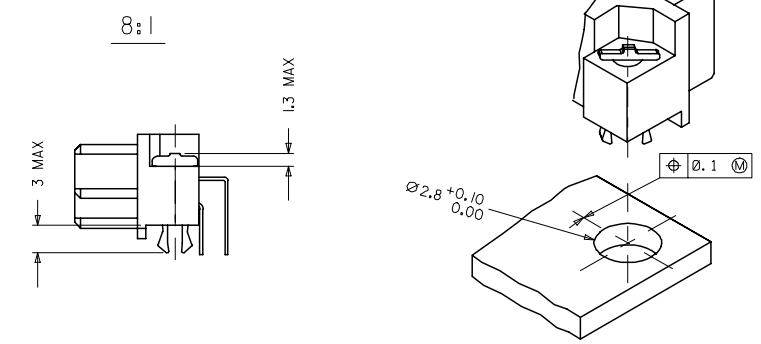


RECOMMENDED PCB LAYOUT
COMPONENT SIDE



WITH MOUNTING CLIPS

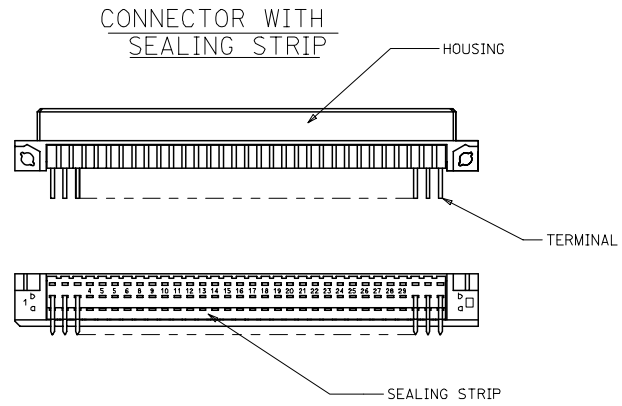


- NOTES:
- MATERIALS: THERMOPLASTIC POLYESTER, GLASS FILLED, UL94V-0. COLOUR: PEBBLE GREY RAL 7032
TERMINAL - PHOSPHOR BRONZE
MOUNTING CLIP: STEEL
 - FINISH: TERMINAL:-
CONTACT AREA
1. PERFORMANCE LEVEL 1: SELECTIVE GOLD (Au), THICKNESS = 1.1 MICROMETER OVER NICKEL, THICKNESS = 1.25 MICROMETER
2. PERFORMANCE LEVEL 2: SELECTIVE GOLD (Au), THICKNESS = 0.6 MICROMETER OVER NICKEL, THICKNESS = 1.25 MICROMETER
3. PERFORMANCE LEVEL 3: SELECTIVE GOLD (Au), THICKNESS = 0.3 MICROMETER OVER NICKEL, THICKNESS = 1.25 MICROMETER
TERMINATION AREA:
SELECTIVE TIN, THICKNESS = 2.5 MICROMETER OVER NICKEL, THICKNESS = 1.25 MICROMETER OVERALL
 - MOUNTING CLIP:-
TIN (Sn), THICKNESS = 5-10 MICROMETER, OVER NICKEL (Ni), THICKNESS = 2.5 MICROMETER
 - FOR NON MOUNTING CLIP OPTION, CONNECTOR TO BE SECURED WITH RIVETS: 2 TUBULAR RIVETS 2.5 x 0.3 ... DIN 7340
SCREWS: 2 CHEESEHEAD SCREWS M2.5 x ... DIN 84 AND 2 HEXAGONAL NUTS M2.5 DIN 934
 - MATERIAL NUMBER, BATCH CODE, UL AND CSA MARKING TO BE PRINTED ON THE CONNECTOR
 - CUT FACE OF TIP WITHOUT PLATING PERMITTED
 - PRODUCT SPECIFICATION : PS-36509-001

RoHS COMPLIANT

EC No: P007-0044 DRAWN BY: DRINGSATTI/MARAD 2006/10/10 CHECKED BY: CHIKKOSUDHAR 2006/10/11 APPROVED BY: APPR/SSUDHAR 2006/10/16 REV B1	QUALITY SYMBOLS ▽=0 ▽=0	GENERAL TOLERANCES (UNLESS SPECIFIED)		DIMENSION STYLE MM ONLY	SCALE 2:1	DESIGN UNITS METRIC	THIRD ANGLE PROJECTION
		4 PLACES ± 0.15 ± --- 3 PLACES ± 0.05 ± --- 2 PLACES ± 0.1 ± --- 1 PLACE ± 0.15 ± ---	INCH ± --- ± --- ± --- ± ---	DRAWN BY: SS DATE: 2000/11/17	CHECKED BY: GJLOWE DATE: 2000/11/17	APPROVED BY: GJLOWE DATE: 2000/11/17	ASSEMBLY, DIN 41612 R FEMALE, 64 POS A+D LOADED
DRAFT WHERE APPLICABLE MUST REMAIN WITHIN DIMENSIONS		MATERIAL NO. SEE CHART	DOCUMENT NO. SD-36509-004	MOLEX INCORPORATED		SHEET NO. 1 OF 2	
THIS DRAWING CONTAINS INFORMATION THAT IS PROPRIETARY TO MOLEX INCORPORATED AND SHOULD NOT BE USED WITHOUT WRITTEN PERMISSION							

MATERIAL No	MOLEX ENG No	PERF LEVEL	PLATING	CONTACT SEQUENCE/ROW	MOUNTING CLIP	SEALING STRIP
36509-0073	MM-B2400-R962	1	Au+Ni	1,2,3,...32 a+b	NO	NO
36509-0074	MM-B2500-R962	2	Au+Ni	1,2,3,...32 a+b	NO	NO
36509-0075	MM-B2600-R962	3	Au+Ni	1,2,3,...32 a+b	NO	NO
36509-0079	MM-B2400-R912	1	Au+Ni	1,2,3,...32 a+b	YES	NO
36509-0080	MM-B2500-R912	2	Au+Ni	1,2,3,...32 a+b	YES	NO
36509-0081	MM-B2600-R912	3	Au+Ni	1,2,3,...32 a+b	YES	NO
36509-0085	MM-B2400-R962-101	1	Au+Ni	1,2,3,...32 a+b	NO	YES
36509-0086	MM-B2500-R962-101	2	Au+Ni	1,2,3,...32 a+b	NO	YES
36509-0087	MM-B2600-R962-101	3	Au+Ni	1,2,3,...32 a+b	NO	YES
36509-0091	MM-B2400-R912-101	1	Au+Ni	1,2,3,...32 a+b	YES	YES
36509-0092	MM-B2500-R912-101	2	Au+Ni	1,2,3,...32 a+b	YES	YES
36509-0093	MM-B2600-R912-101	3	Au+Ni	1,2,3,...32 a+b	YES	YES



RoHS COMPLIANT

EC No: 2007/0044 DRAWN BY: DRINGSATTI/MARAD 2006/10/10 CHECKED BY: CHIKKOSUDHAR 2006/10/11 APPROVED BY: APPR/SSUDHAR 2006/10/16 REV B1	QUALITY SYMBOLS ▽=0 ▽=0	GENERAL TOLERANCES (UNLESS SPECIFIED) mm INCH		DIMENSION STYLE MM ONLY	SCALE 2:1	DESIGN UNITS METRIC	THIRD ANGLE PROJECTION
		4 PLACES ± 0.15 ± 0.006 3 PLACES ± 0.05 ± 0.002 2 PLACES ± 0.1 ± 0.004 1 PLACE ± 0.15 ± 0.006 ANGULAR ± 2°	DRAWN BY: SS 2000/11/17 CHECKED BY: GJLOWE 2000/11/17 APPROVED BY: GJLOWE 2000/11/17	DATE: 2000/11/17	TITLE ASSEMBLY, DIN 41612 R FEMALE, 64 POS A+B LOADED	MATERIAL NO. SEE CHART	DOCUMENT NO. SD-36509-004
DRAFT WHERE APPLICABLE MUST REMAIN WITHIN DIMENSIONS							
THIS DRAWING CONTAINS INFORMATION THAT IS PROPRIETARY TO MOLEX INCORPORATED AND SHOULD NOT BE USED WITHOUT WRITTEN PERMISSION							