

MATERIALS AND FINISHES

BODY: BERYLLIUM COPPER  
 OPTION 1  
 PLATED GOLD (1 MICRO-IN MIN)  
 OVER HIGH PHOS NICKEL (80 MICRO-IN MIN)  
 OVER COPPER (20 MICRO-IN MIN)  
 OPTION 2  
 PLATED TRI-M

CONTACT: BERYLLIUM COPPER  
 PLATED GOLD (8 MICRO-IN MIN)  
 OVER HIGH PHOS NICKEL (80 MICRO-IN MIN)  
 OVER COPPER (20 MICRO-IN MIN)

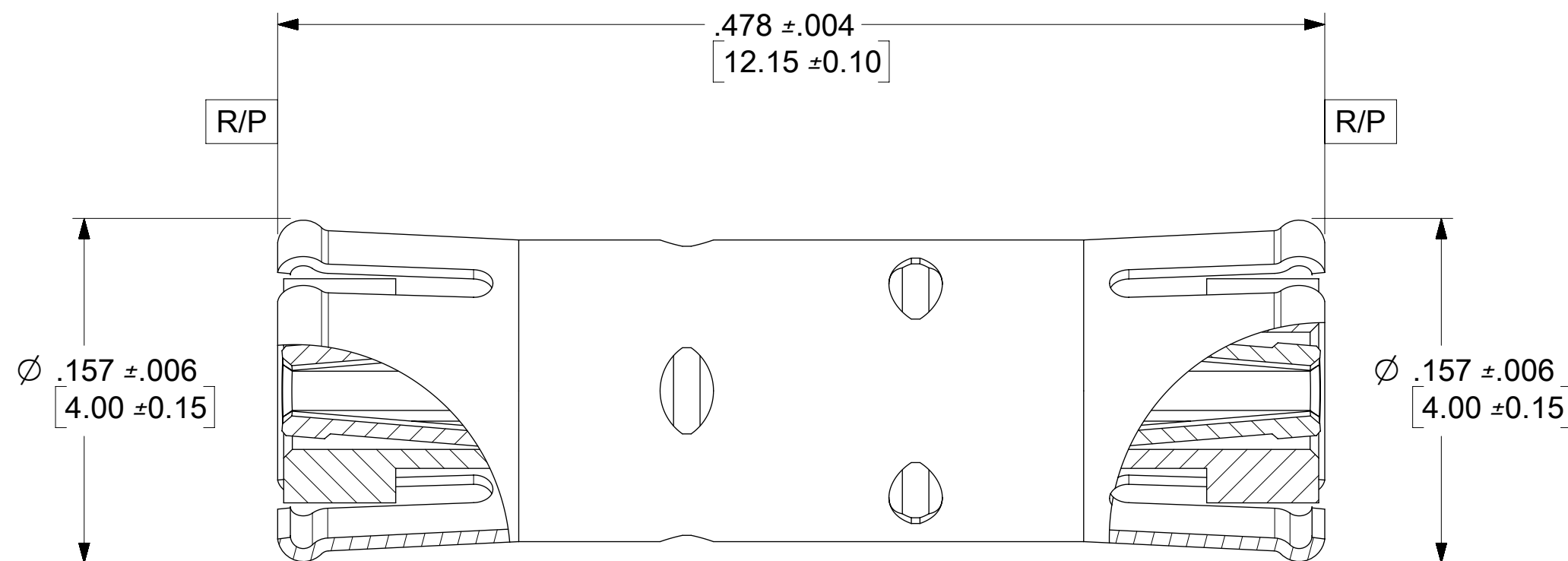
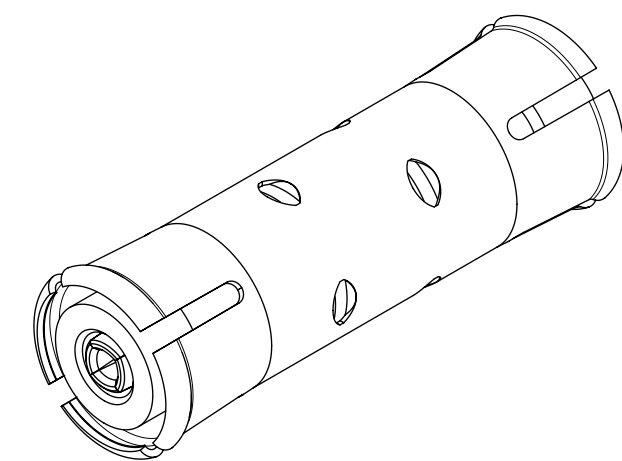
INSULATOR: PTFE

ELECTRICAL CHARACTERISTICS:

NOMINAL IMPEDANCE: 50Ω  
 FREQUENCY RANGE: DC-10 GHz  
 VSWR: 1.25 MAX UP TO 3GHz, 1.35 MAX 3-6GHz  
 INSERTION LOSS: 0.15√F (GHz) dB MAX  
 COAXIAL TRANSMISSION LINE ONLY  
 VOLTAGE RATING: 330 Vrms AT SEAL LEVEL  
 DIELECTRIC WITHSTANDING VOLTAGE: 1000 Vrms  
 INSULATION RESISTANCE: 5000 MΩ

OTHERS:

POWER HANDLING  
 300 W MIN @ 2.7 GHz AT 25°C  
 200 W MIN @ 2.7 GHz AT 85°C  
 RADIAL WORKING RANGE: 3°  
 AXIAL WORKING RANGE: 2.0mm OR 2.4mm  
 (SHOULD BE WITH SPECIAL RECEPTACLE FOR  
 AXIAL MISALIGNMENT ±1.2mm)



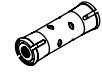
73420-5861	OPTION 2	TRAY
73420-5860	OPTION 1	
PART NO.	BODY	PACKAGING

PS-89675-3760	ELEC/MECH PERFORMANCE
SPECIFICATION	DESCRIPTION

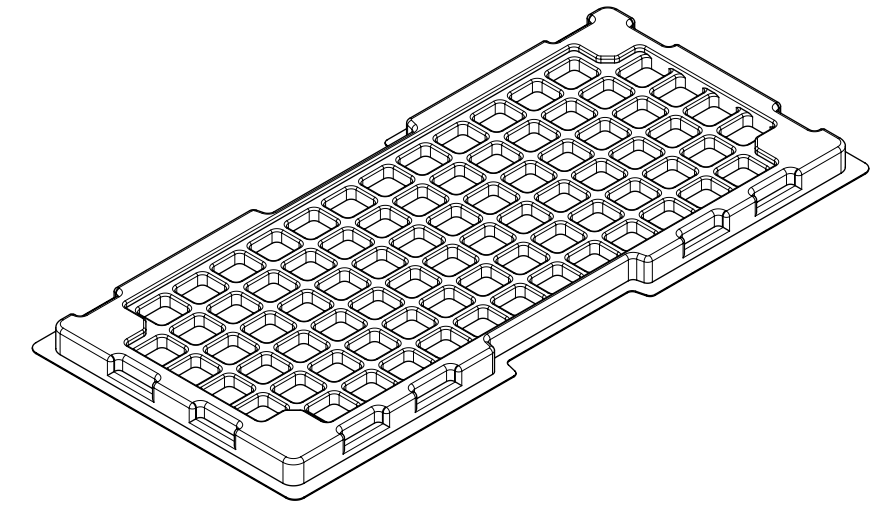
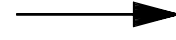
A2	2018/11/9	ADD 73420-5861 PER EWR-12653-A
REV	DATE	DESCRIPTION

THIS DRAWING CONTAINS INFORMATION THAT IS PROPRIETARY TO MOLEX ELECTRONIC TECHNOLOGIES, LLC AND SHOULD NOT BE USED WITHOUT WRITTEN PERMISSION

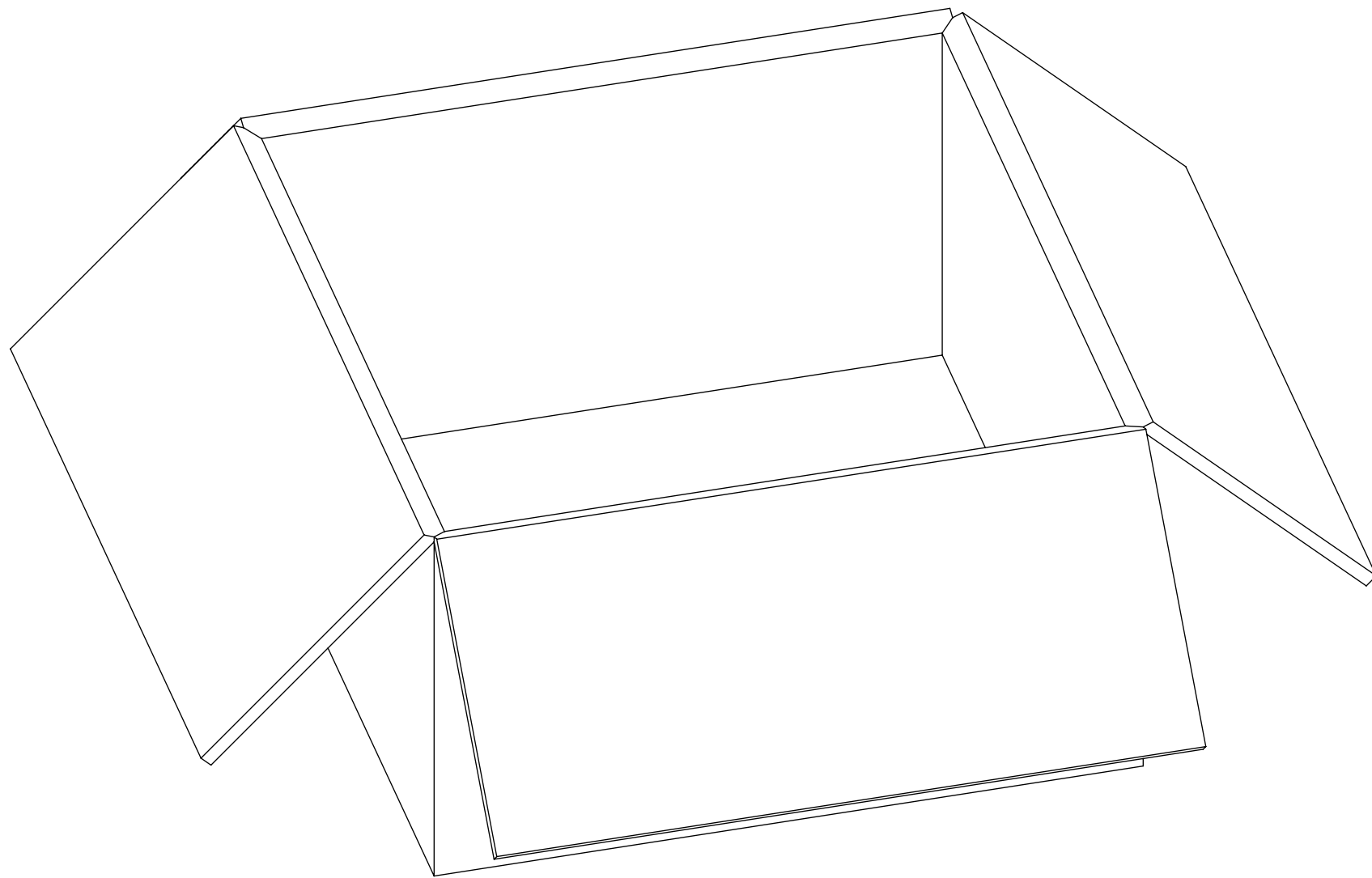
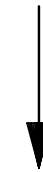
DIMENSION UNITS	SCALE	CURRENT REV DESC:	<b>molex</b>			
HYBRID	NTS					
GENERAL TOLERANCES (UNLESS SPECIFIED)		EC NO: 608592	SMP-MAX EVO II J/J BULLET SYM 4 SLOTS L=12.15 EWR-11096			
ANGULAR TOL	± °	DRWN: RYEH 2018/11/09				
4 PLACES	±	CHK'D: YCHENG 2018/12/12	PRODUCT CUSTOMER DRAWING			
3 PLACES	±	APPR: YCHENG 2018/12/12				
2 PLACES	±	INITIAL REVISION:	DOCUMENT NUMBER	DOC TYPE	DOC PART	REVISION
1 PLACE	±	DRWN: RYEH 2017/06/16	734205860	PSD	000	A2
0 PLACES	±	APPR: YCHENG 2017/12/25	MATERIAL NUMBER	CUSTOMER	SHEET NUMBER	
DRAFT WHERE APPLICABLE MUST REMAIN WITHIN DIMENSIONS	THIRD ANGLE PROJECTION	DRAWING	SEE TABLE		1 OF 2	
		C-SIZE	73420			



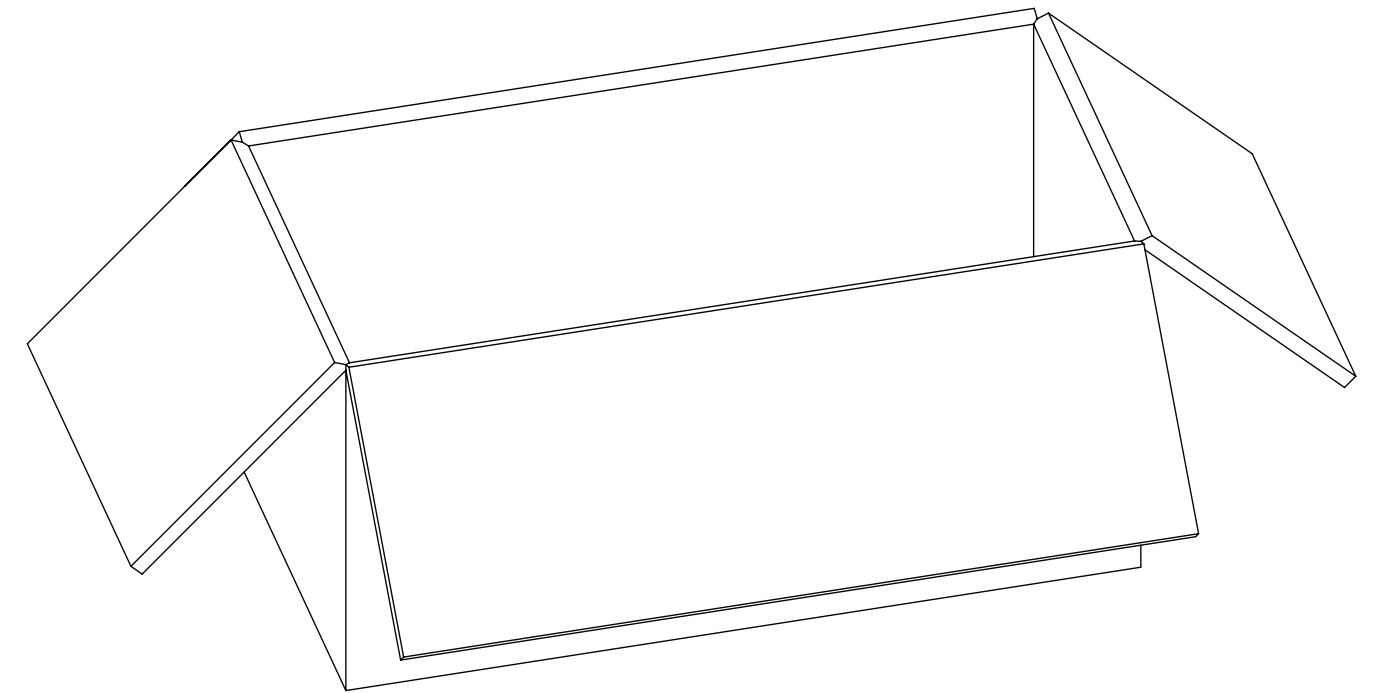
P/N: 73420-5860  
OR  
P/N: 73420-5861



80 SETS PER TRAY  
P/N: 89707-0190



3200 SETS PER OUTER  
CARTON BOX  
P/N: 96708-0005



1600 SETS PER INNER  
CARTON BOX  
P/N: 96707-0001

THIS DRAWING CONTAINS INFORMATION THAT IS PROPRIETARY TO MOLEX ELECTRONIC TECHNOLOGIES, LLC AND SHOULD NOT BE USED WITHOUT WRITTEN PERMISSION

DIMENSION UNITS		SCALE		CURRENT REV DESC:				<b>molex</b>					
HYBRID		NTS											
GENERAL TOLERANCES (UNLESS SPECIFIED)				EC NO: 608592				SMP-MAX EVO II J/J BULLET SYM 4 SLOTS L=12.15 EWR-11096					
ANGULAR TOL ± °				DRWN: RYEH 2018/11/09									
4 PLACES ±				CHK'D: YCHENG 2018/12/12				PRODUCT CUSTOMER DRAWING					
3 PLACES ±				APPR: YCHENG 2018/12/12									
2 PLACES ±				INITIAL REVISION:				DOCUMENT NUMBER					
1 PLACE ±				DRWN: RYEH 2017/06/16				734205860					
0 PLACES ±				APPR: YCHENG 2017/12/25				PSD 000 A2					
DRAFT WHERE APPLICABLE MUST REMAIN WITHIN DIMENSIONS		THIRD ANGLE PROJECTION		DRAWING		SERIES		MATERIAL NUMBER		CUSTOMER		SHEET NUMBER	
				C-SIZE		73420		SEE TABLE				2 OF 2	

DOCUMENT STATUS	P1	RELEASE DATE	2018/12/12	08:11:10
-----------------	----	--------------	------------	----------