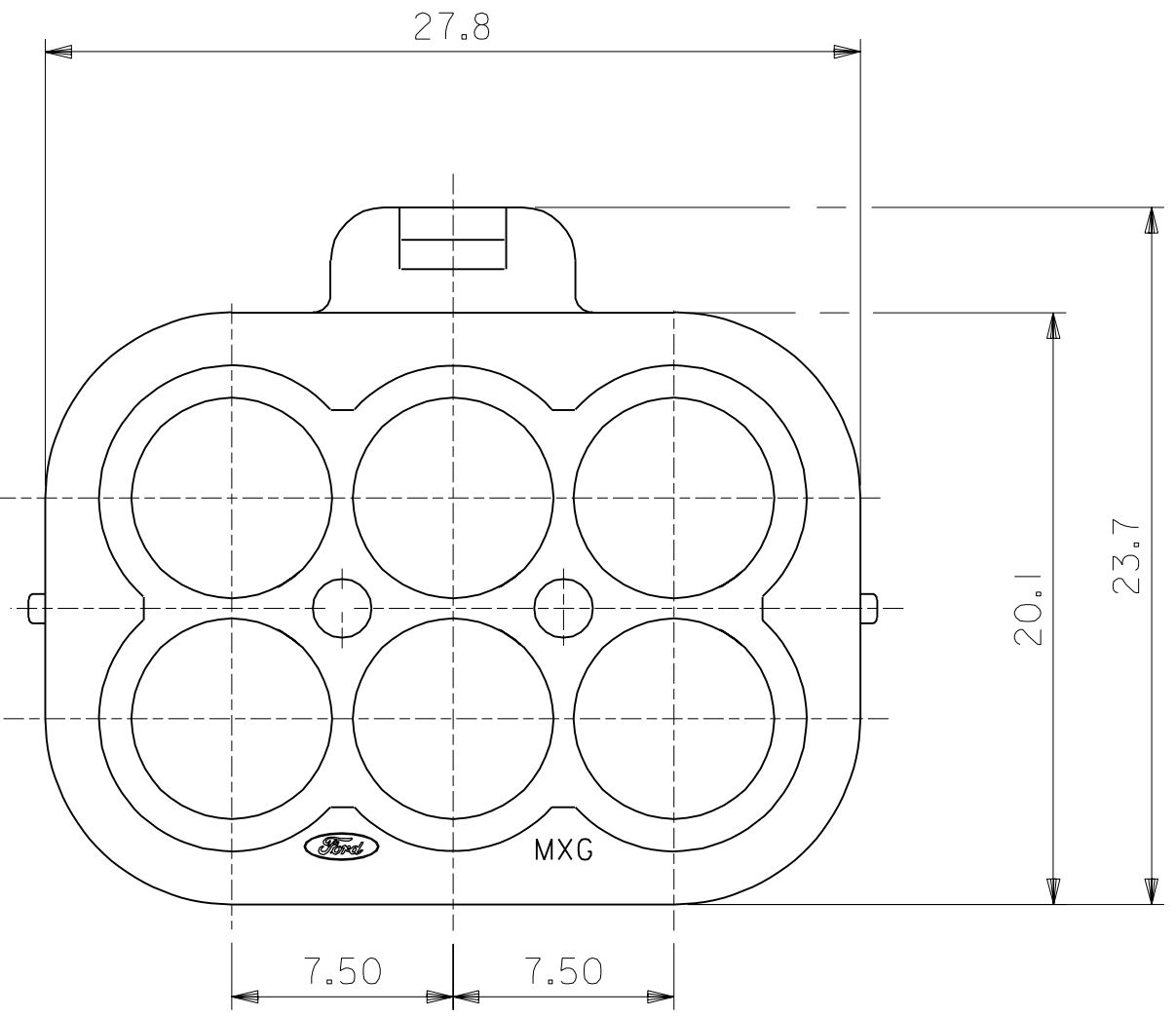
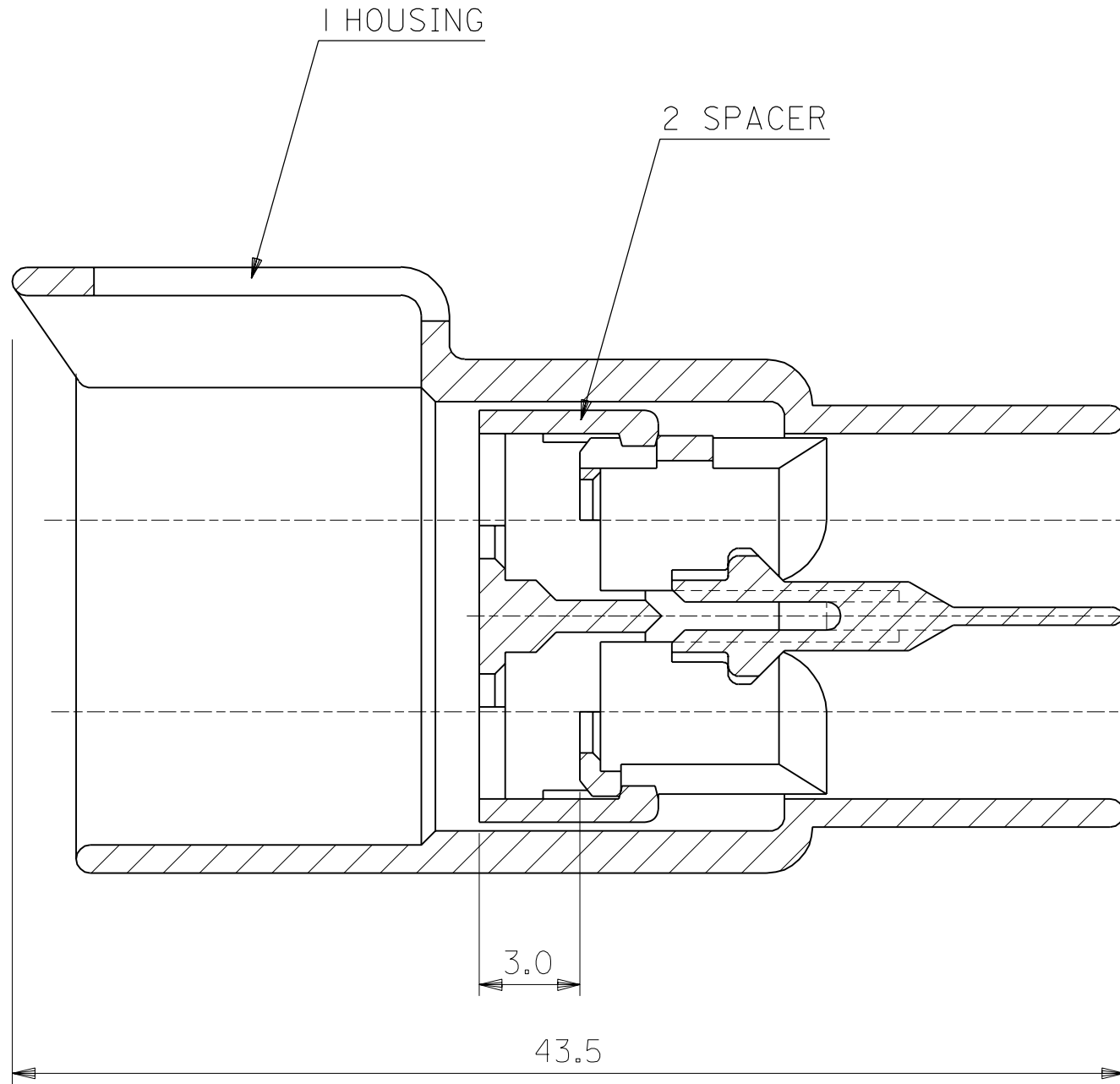


MOLEX NO.	COLOR	FARBE	RAL
98031-0001	BLACK	SCHWARZ	9005
98031-0002	BROWN	BRAUN	8017
98031-0003	BLUE	BLAU	5015
98031-0004	GREEN	GRUEN	6001
98031-0005	YELLOW	GELB	1018
98031-0006	GREY	GRAU	7035
98031-0007	ORANGE	ORANGE	1007
98031-0008	NATURAL	NATUR	-



MATERIAL: PBTP 30% GV

FOR PREVIOUS DRAWING ISSUES SEE "EDIS"

ECN G2001-0055 NME DATE: 6-Aug-98 11:11	REVISIONS	THIRD ANGLE PROJECTION		REVISE ONLY ON CAD SYSTEM		SH.	REV.
		DIMENSIONS SHOWN (METRIC) INCH UNLESS OTHERWISE SPECIFIED TOLERANCES: ANGULAR ± INCH (METRIC)		DRWG BY NME	CADCAM FILENAME SDA98031 DCN	THIS DRAWING CONTAINS INFORMATION THAT IS PROPRIETARY TO MOLEX INC. & SHOULD NOT BE USED WITHOUT WRITTEN PERMISSION	
C2	LTR	3 PLACE ±	±	CHK'D BY VMA	TITLE 6-WAY HOUSING FOR MALE TERMINAL		
		2 PLACE ±	±	APP'D BY JHO	SHEET NO. DATE 1 / 1 87 / 02 / 19		
		1 PLACE ±	± 0.2	SCALE 4:1	PART NO. SEE TABLE		
		DRAFT WHERE APPLICABLE MUST REMAIN WITHIN DIMENSIONS			DWG NO. SD-98031-001		
		DESIGN DIMENSION (PRIMARY)	<input checked="" type="checkbox"/> (MM) <input type="checkbox"/> IN.		SIZE B		
		EQUIVALENT DIMENSION (SECONDARY)	<input type="checkbox"/> (MM) <input type="checkbox"/> IN.				