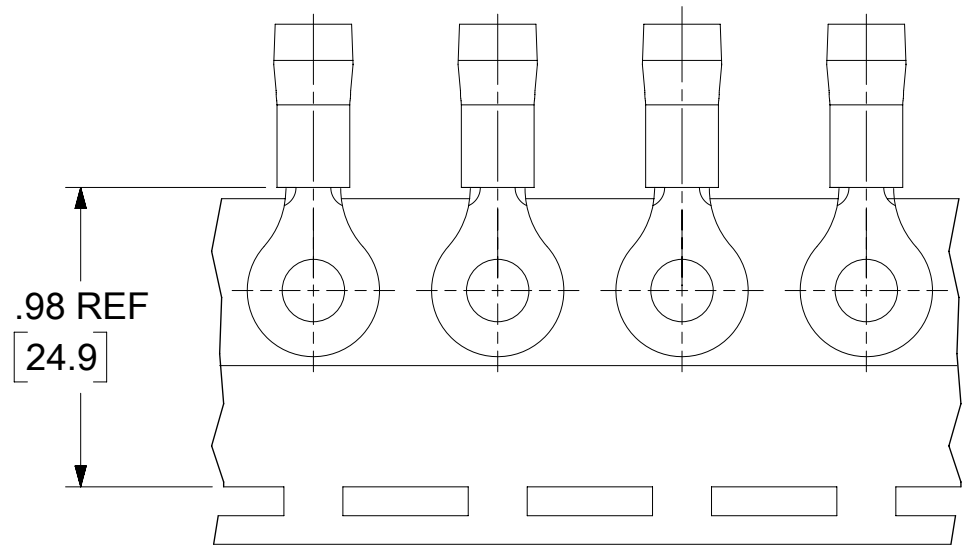
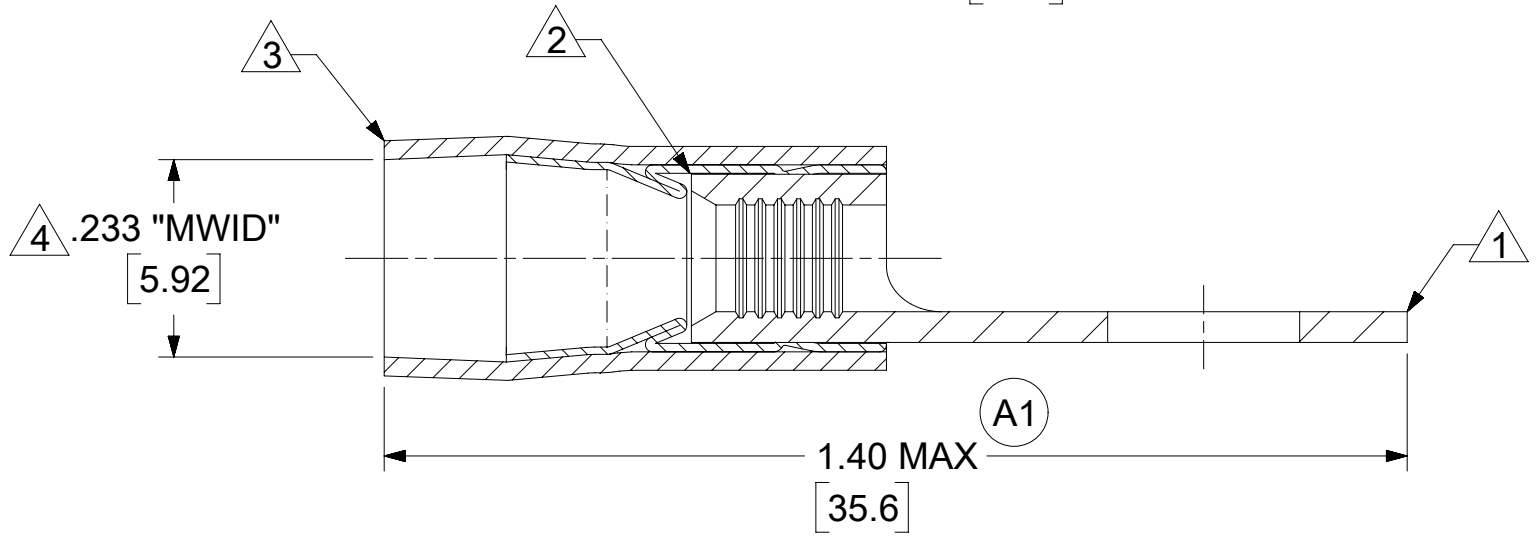
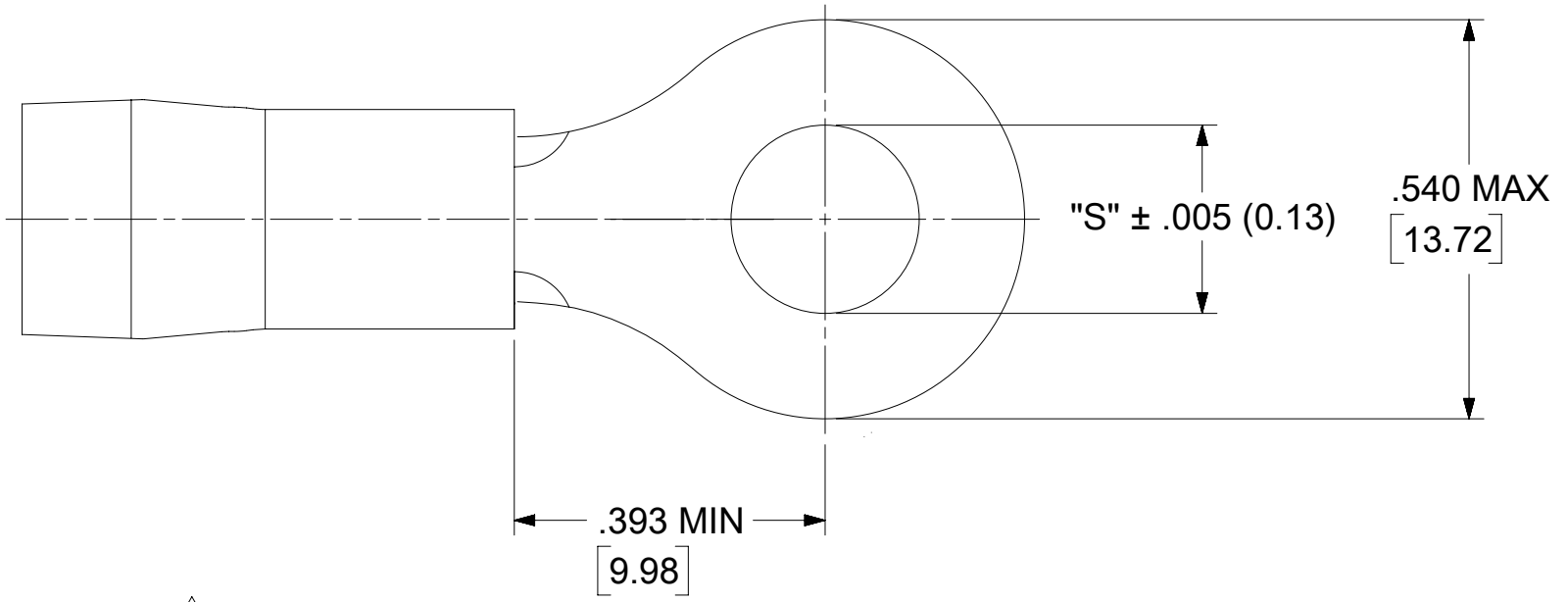


MATERIAL NO.	ENG NO.	MATERIAL NO. (TAPE)	ENG NO. (TAPE)	STUD SIZE	"S" ± .005 (0.13)
190730182	C-830-10XLBK	----	----	10	.198 (5.03)
190730192	C-830-14XLBK	190730193	C-830-14XLBKT	1/4	.265 (6.73)
190730203	C-830-56XLBK	----	----	5/16	.328 (8.33)

A1



TAPE MOUNTING LOCATION

NOTE(S):

- 1 TERMINAL MATERIAL: COPPER
FINISH: ELECTRO-TIN
- 2 FERRULE MATERIAL: BRASS
FINISH: ELECTRO-TIN
- 3 INSULATION MATERIAL: BLACK NYLON
- 4 "MWID" = MAXIMUM WIRE INSULATION DIAMETER
- 5. PARTS ARE RoHS COMPLIANT

THIS DRAWING CONTAINS INFORMATION THAT IS PROPRIETARY TO MOLEX ELECTRONIC TECHNOLOGIES, LLC AND SHOULD NOT BE USED WITHOUT WRITTEN PERMISSION									
FUNCTIONAL SYMBOLS	DIMENSION UNITS	SCALE	CURRENT REV DESC: RMV OBSO PN'S: C-830-10XXBK, -14XXBK, -56XXBK, -10XX, -14XX, -56XX, -10XXBKT, -14XXBKT, & -56XXBKT						
$\nabla_A = 0$	INCH/MM	NTS	molex RAILROAD TERMINAL 12-10 RING TONGUE TERMINALS PRODUCT CUSTOMER DRAWING EC NO: 676073 DRWN: DMYRICK 2021/08/30 CHK'D: KBURROUGHS 2021/08/31 APPR: KBURROUGHS 2021/08/31 INITIAL REVISION: DRWN: APPR:						
$\nabla_E = 0$	GENERAL TOLERANCES (UNLESS SPECIFIED)								
$\nabla_P = 0$	MM	INCH							
DIVISIONAL SYMBOLS	4 PLACES	±							
	3 PLACES	±	DOCUMENT NUMBER: SD-19058-006						
	2 PLACES	±	DOC TYPE: PSD						
	1 PLACE	±	DOC PART: 001						
	0 PLACES	±	REVISION: A1						
	ANGULAR TOL	± °	MATERIAL NUMBER: GENERAL MARKET						
	DRAFT WHERE APPLICABLE MUST REMAIN WITHIN DIMENSIONS	THIRD ANGLE PROJECTION	DRAWING: B-SIZE	SERIES: 19058	CUSTOMER: GENERAL MARKET		SHEET NUMBER: 1 OF 1		