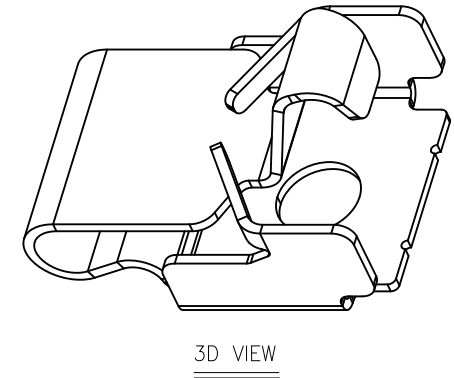
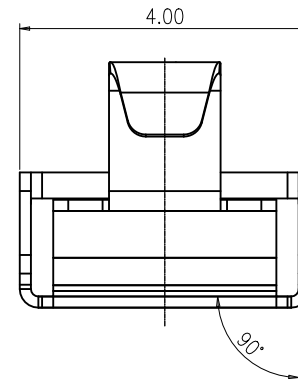


REV.	ECR/ECN No.	DESCRIPTION	DRAWN/DATE	CHECKED/DATE	APPROVED/DATE
D	ECN2021069	UPDATE FRAME	Abner 2021-07-08	Staven 2021-07-08	Sam 2021-07-08
E	ECN2021120	Add change record	Abner 2021-11-30	Staven 2021-11-30	Sam 2021-11-30

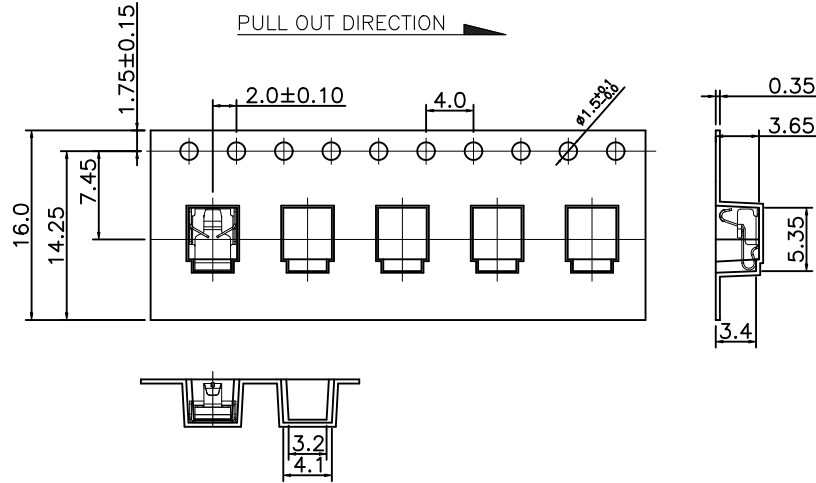


NOTES:

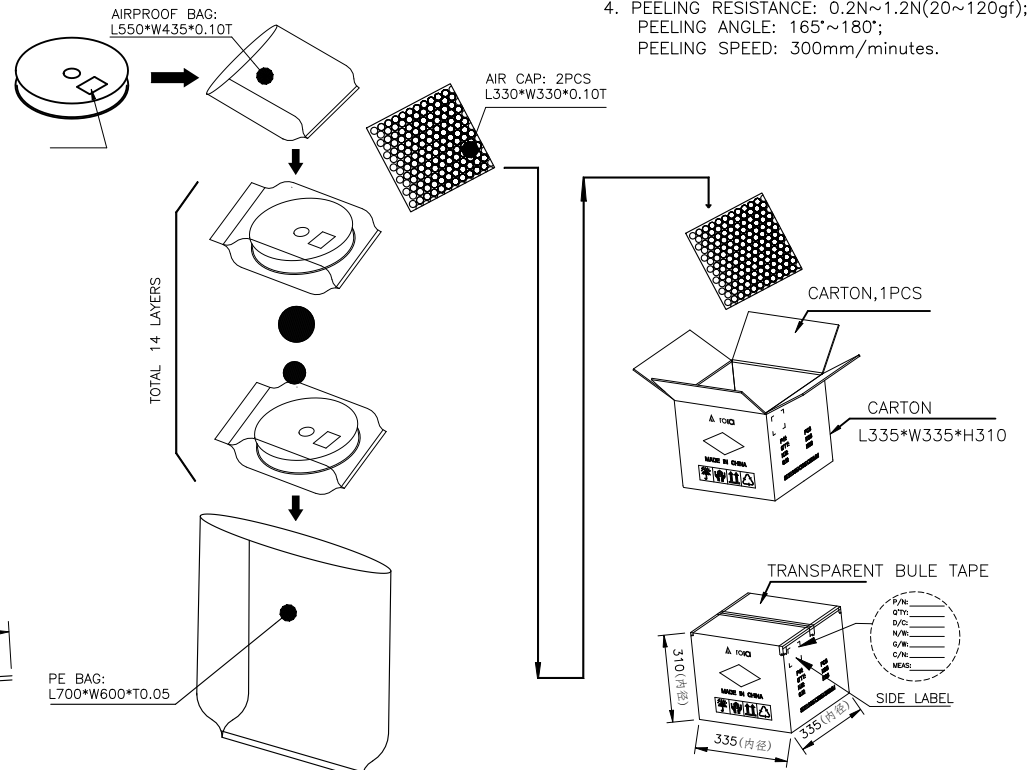
1. MATERIAL:SUS 304 T=0.15mm;
2. FINISH: Au 2u" SURFACE PLATING OVER CONTACT AREAS,  
Au 2u" SURFACE PLATING OVER SOLDER AREAS,  
Ni 40-80u" UNDER PLATING OVER ALL.
3. ALL MATERIAL MUST BE COMPLY WITH RoHS2.0.

UNLESS OTHERWISE SPECIFIED TOLERANCES			ANGLE OF PROJECTION		Amphenol AORORA			
X.	±0.30	X. *	± 2'		Amphenol Aorora Technology (Huizhou) Co.,Ltd			
X.X	±0.20	X.X *	± 1'					
X.XX	±0.10	X.XX *	± 0.2'	DOC TYP	Customer Drw			
X.XXX	±0.05	X.XXX *	± 0.1'	DRAWN DATE	Abner	TITLE:		
LINEAR DIMS			ANGLES DIMS	DESIGN DATE	Abner	H3.30mm Spring		
DWG NO.:			A-S0055	CHECKED DATE	Staven	SIZE	PART NUMBER:	REV.
MATERIAL			SEE NOTES	APPROVED DATE	Sam	A4	Z003-007L1-11001	E
FINISHED			SEE NOTES	SCALE		1:1	UNIT : mm	SHEET 1 OF 1

1:PACKING INTO REEL

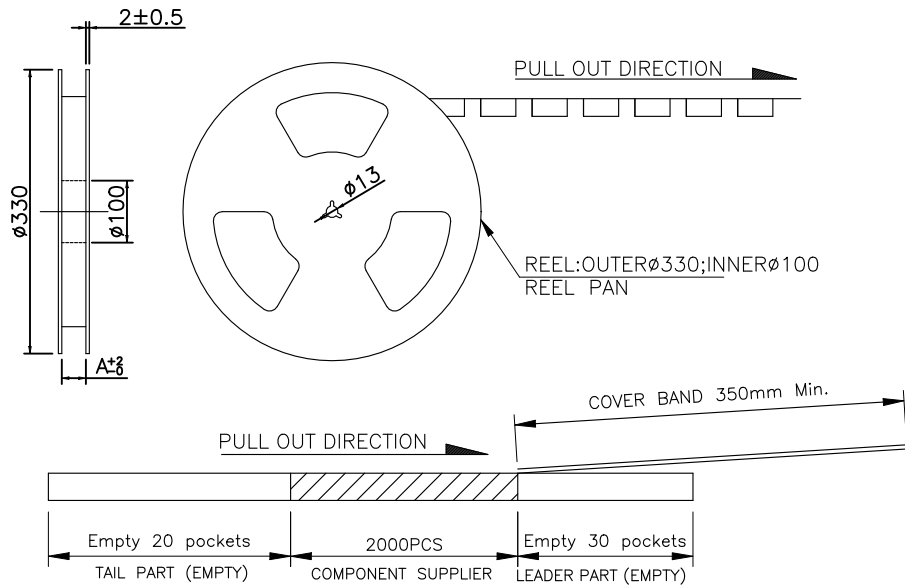


2:PACKING INTO OUTER BOX



NOTES:

1. MATERIAL:
  - 1.1 CARRY TAPE:HIPS,T=0.35mm, COLOR:TRANSPARENT.
  - 1.2 REEL:HIPS,BLUE.
  - 1.3 SHIM:PET,CLEAR.
2. PRIMARY PACKING:2000PCS/REEL.
3. SECONDARY PACKING:14 REELS/CARTON ("TOTAL"=14\*2000/CARTON).
4. PEELING RESISTANCE: 0.2N~1.2N(20~120gf); PEELING ANGLE: 165°~180°; PEELING SPEED: 300mm/minutes.



REV.	ECR/ECN No.	DESCRIPTION	DRAWN/DATE	CHECKED/DATE	APPROVED/DATE
C	ECN2021120	UPDATE FRAME	Abner 2021-11-30	Staven 2021-11-30	Sam 2021-11-30

UNLESS OTHERWISE SPECIFIED TOLERANCES	
X. ±0.15	X. * ± 1'
X.X ±0.16	X.X * ± 0.5'
X.XX ±0.05	X.XX * ± 0.5'
X.XXX ±0.03	X.XXX * ± 1'

ANGLE OF PROJECTION	
DOC TYPE	PACKING DWG.
DRAWN DATE	Abner 2021-11-30
DESIGN DATE	Abner 2021-11-30
CHECKED DATE	Staven 2021-11-30
APPROVED DATE	Sam 2021-11-30

TITLE:	
H3.3 SPRING--PACKING	
SIZE	PART NUMBER:
A4	Z003-007L1-11001
SCALE	UNIT : mm SHEET 1 OF 1
REV.	C