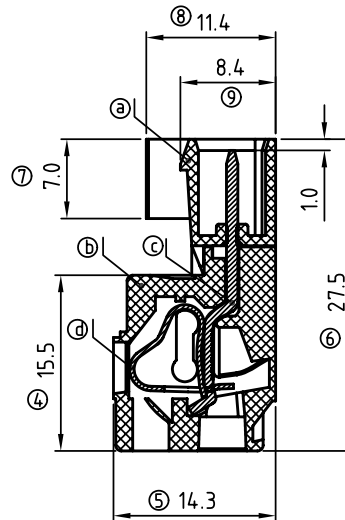
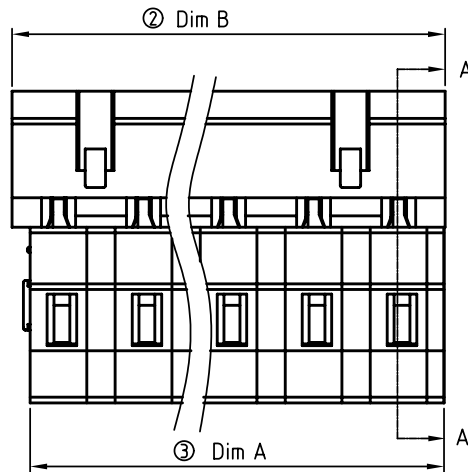
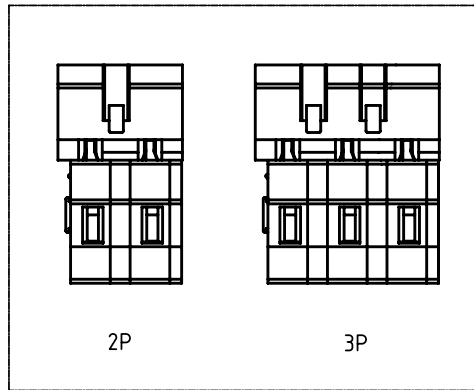
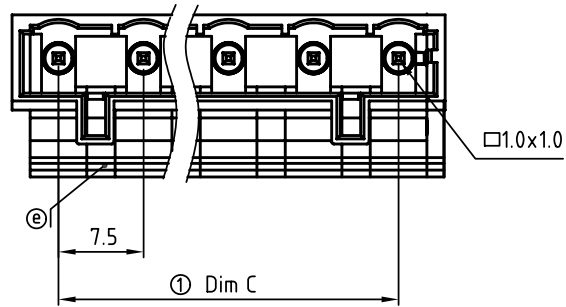


SIGN	DATE	DESCRIPTION	APPROVER

**THIS IS CAD DRAWING, DO NOT REVISE MANUALLY!!!**



SECTION A-A

**Material:**

- Item a :Terminal body Thermoplastic (UL94 V-0)
- Item b :Terminal body Thermoplastic (UL94 V-0)
- Item c :Male contact pin: Brass Tin plated
- Item d :Spring clamp: Stainless steel
- Item e :Pad board: Thermoplastic ( UL94V-0 )

**Electrical cULus**

- Voltage rating: 300V
- Current rating: 8A
- Wire range:
- Solid wire(AWG): 12-28
- Stranded wire(AWG): 12-28
- Wire strip length: 8-9mm
- Withstanding Voltage: 1.6KV
- Operating temperature: -40°C to +115°C
- Safety Approval:

NB xx A 0 x 2 xxxx G

- 02 2 poles
- 03 3 poles
- ... ..
- 16 16 poles

- 0 Black
- 5 Green
- 6 Blue
- 8 Grey
- (RAL 7035/D)

any special item by customer request, please contact sales department.

N = Number of poles

Dim A=Nx7.5-1.0

Dim B=Nx7.5+0.7

Dim C=(N-1)x7.5

	Dim A	Dim B	Dim C
2-6p	±0.20	±0.20	±0.10
7-12p	±0.30	±0.30	±0.20
13-16p	±0.40	±0.40	±0.30

**ANYTEK**

**CUSTOMER COPY**

ALL RIGHTS RESERVED. REPRODUCTION OR ISSUE TO THIRD PARTIES IN ANY FORM WHATSOEVER IS NOT PERMITTED WITHOUT WRITTEN AUTHORITY FROM THE PROPRIETOR. PROPERTY OF ANYTEK TECHNOLOGY CO., LTD

TITLE		NB 7.5mm series W/o Flange 100% protected against mismatching						
PART NO.		NBxxA0x2xxxxG		DWG NO.		8NB0303		
APPROVED	CHECKED	DESIGNED	DRAWN	CUST NO.		Tolerance		
		Runner	Runner			X.	±0.50	
		2010.06.10	2010.06.10			UNIT: mm	X.X	±0.30
				SHEET: 01/01		SCALE: 2/1	X.XX	±0.10
						REV.: A	X°	±1°