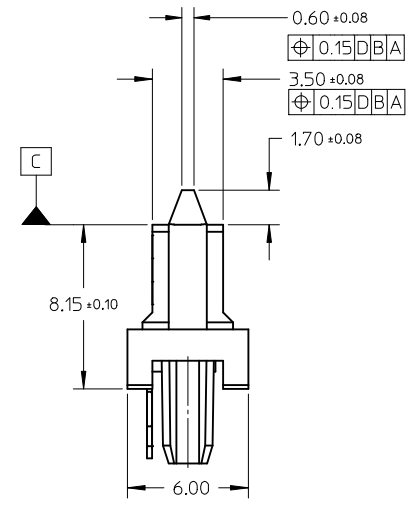


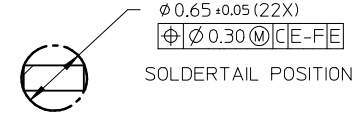
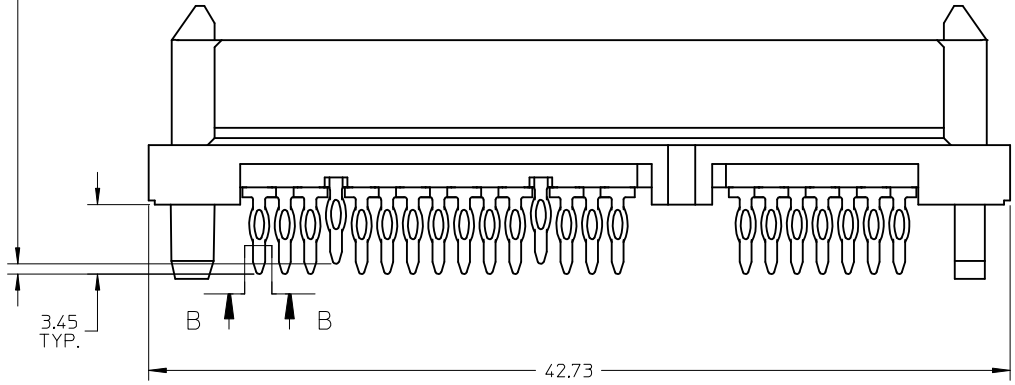
NOTES:

1. MATERIAL: LCP, GLASS FILLED, UL 94V-0, COLOR: BLACK
TERMINAL: COPPER ALLOY
2. PLATING
CONTACT: 0.76µm MIN. SELECTIVE GOLD OVER 1.27µm MIN. NICKEL
UNDERPLATE SOLDER TAIL: 2.54µm MIN. TIN OVER 1.27µm MIN. NICKEL
UNDERPLATE
3. MOLEX LOGO LOCATED APPROXIMATELY AS SHOWN
4. MAXIMUM WARPAGE OF 0.13 mm OVER THE LENGTH OF THE CONNECTOR
IN ANY DIRECTION BEFORE AND AFTER EXPOSURE TO MAX. 260°C FOR
10 SECONDS
5. PCB THICKNESS RANGE FROM 1.50 mm TO 2.00 mm
6. KEEP OUT ZONE ON BOTH SIDE OF PCB FOR CONNECTOR
INSERTION AND EXTRACTION TOOL
7. PRODUCT SPECIFICATION: PS-87701-033 APPLIES
8. PACKAGING
30 CONNECTORS PER TRAY

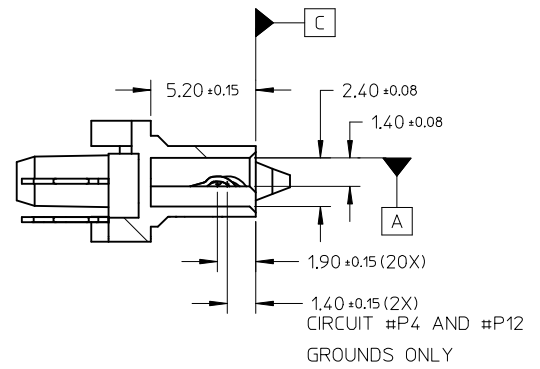
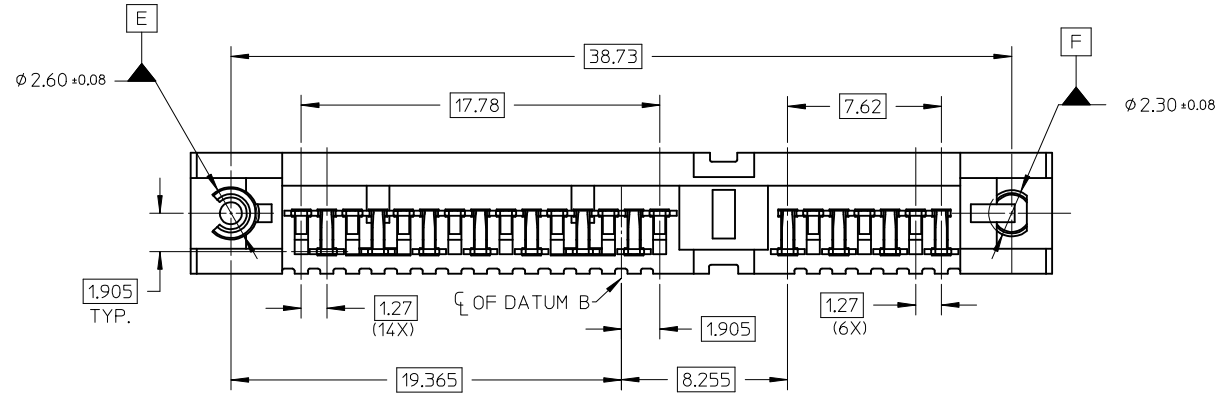


REMOVE PCB HOLES EC NO: S2015-0218 DRWN:SKANG 2014/09/04 CHKD:BOKOK 2014/09/05 APPR:SHLENI 2014/09/05	QUALITY SYMBOLS ▽=0 ◻=0	GENERAL TOLERANCES (UNLESS SPECIFIED)		DIMENSION STYLE	SCALE	DESIGN UNITS	THIRD ANGLE PROJECTION	
				MM ONLY	NTS	METRIC		
		4 PLACES	± ---	± ---	DRAWN BY	DATE	TITLE	
		3 PLACES	± ---	± ---	DKOH	2002/07/01	SERIAL ATA BACKPLANE PRESS-FIT STD HEIGHT RECEPTACLE MOLEX INCORPORATED	
2 PLACES	± 0.20	± ---	CHECKED BY	DATE				
1 PLACE	± ---	± ---	KCL ING	2002/07/05				
ANGULAR ± 3 °		SKTOH	DATE	2002/07/05				
DRAFT WHERE APPLICABLE MUST REMAIN WITHIN DIMENSIONS		MATERIAL NO.		DOCUMENT NO.		SHEET NO.		
		87701-1001		SD-87701-013		1 OF 4		
		THIS DRAWING CONTAINS INFORMATION THAT IS PROPRIETARY TO MOLEX INCORPORATED AND SHOULD NOT BE USED WITHOUT WRITTEN PERMISSION						

CIRCUIT #P4 AND #P12 ONLY
0.50



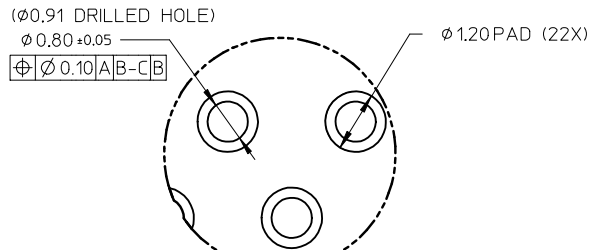
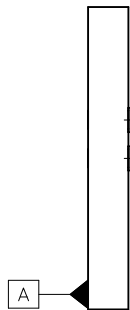
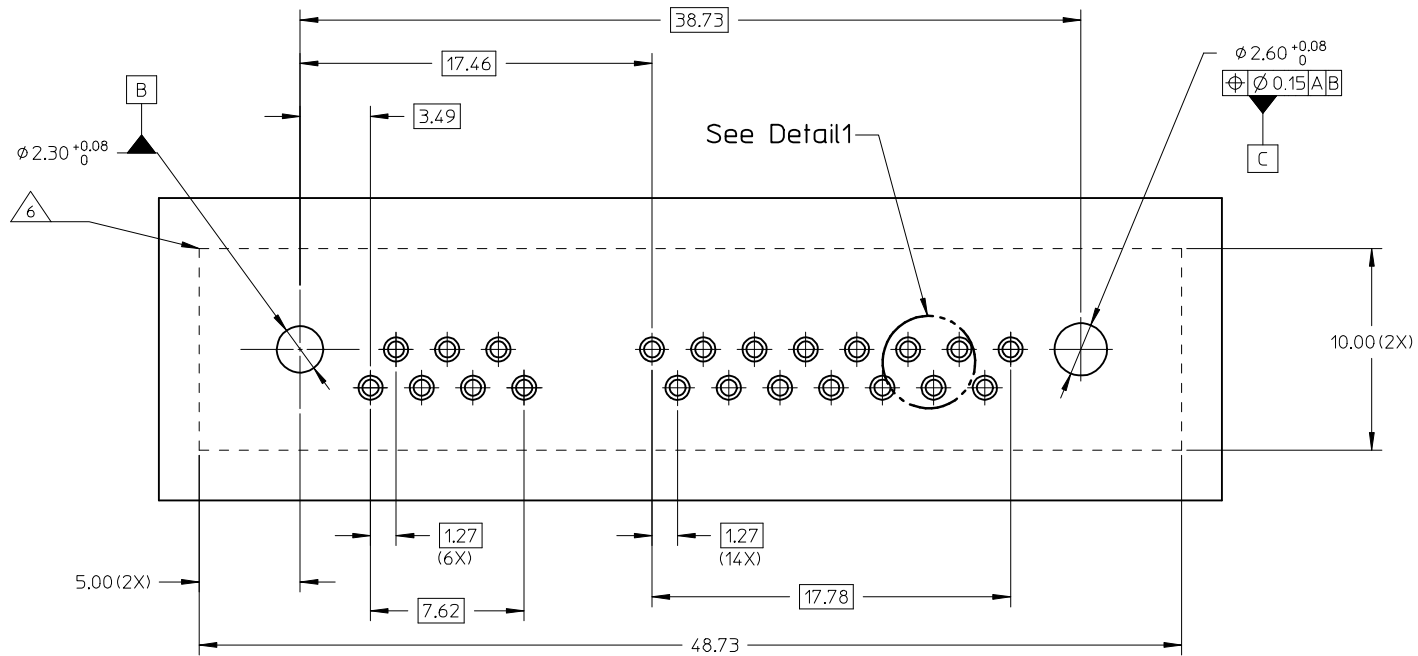
SECTION B-B



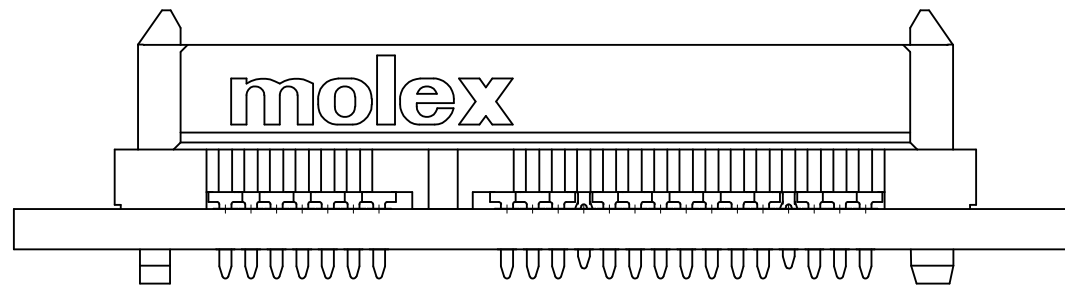
SECTION A-A

REMOVE PCB HOLES EC NO: S2015-0218 DRWN:SKANG CHKD:BOKOK APPR:SHLENI 2014/09/04 2014/09/05 2014/09/05	QUALITY SYMBOLS $\nabla=0$ $\square=0$	GENERAL TOLERANCES (UNLESS SPECIFIED) mm INCH 4 PLACES ± --- ± --- 3 PLACES ± --- ± --- 2 PLACES ± 0.20 ± --- 1 PLACE ± --- ± --- ANGULAR ± 3 °	DIMENSION STYLE MM ONLY DRAWN BY: DKOH CHECKED BY: KCLING APPROVED BY: SKTOH DATE: 2002/07/01 DATE: 2002/07/05 DATE: 2002/07/05	SCALE NTS DESIGN UNITS METRIC THIRD ANGLE PROJECTION	TITLE SERIAL ATA BACKPLANE PRESS-FIT STD HEIGHT RECEPTACLE MOLEX INCORPORATED
	DRAFT WHERE APPLICABLE MUST REMAIN WITHIN DIMENSIONS	MATERIAL NO. 87701-1001	DOCUMENT NO. SD-87701-013	SHEET NO. 2 OF 4	
	SIZE A3	THIS DRAWING CONTAINS INFORMATION THAT IS PROPRIETARY TO MOLEX INCORPORATED AND SHOULD NOT BE USED WITHOUT WRITTEN PERMISSION			
	REV C3				

10 9 8 7 6 5 4 3 2 1



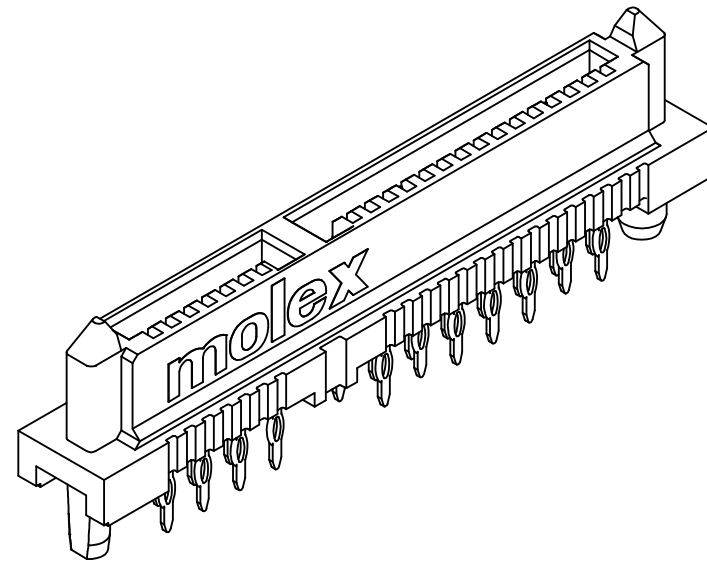
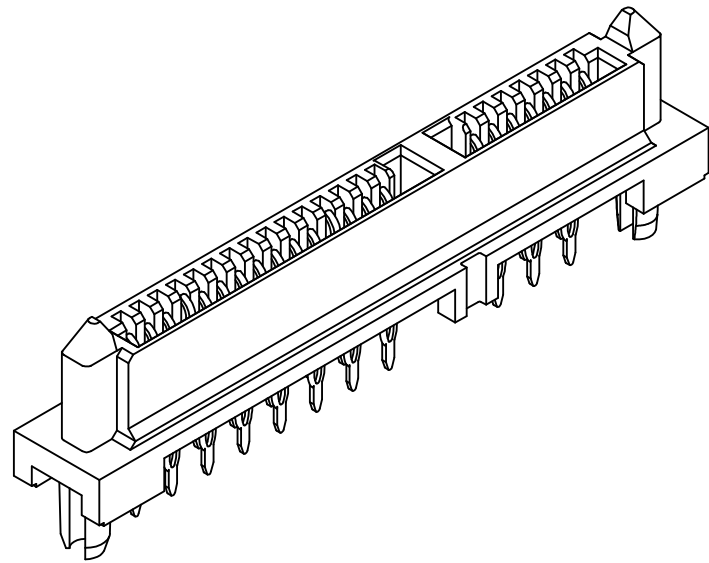
Detail1
SCALE 10:1



RECOMMENDED PCB LAYOUT

REMOVE PCB HOLES EC NO: S2015-0218 DRWN:SKANG CHKD:BOKOK APPR:SHLENI	2014/09/04 2014/09/05 2014/09/05	DESCRIPTION REV	QUALITY SYMBOLS	GENERAL TOLERANCES (UNLESS SPECIFIED)	DIMENSION STYLE	SCALE	DESIGN UNITS	THIRD ANGLE PROJECTION	
			$\nabla=0$ $\square=0$	mm INCH 4 PLACES ± --- ± --- 3 PLACES ± --- ± --- 2 PLACES ± 0.20 ± --- 1 PLACE ± --- ± --- ANGULAR ± 3 °	MM ONLY	NTS	METRIC	DRAWN BY: DKOH DATE: 2002/07/01 CHECKED BY: KCLING DATE: 2002/07/05 APPROVED BY: SKTOH DATE: 2002/07/05	TITLE
			DRAFT WHERE APPLICABLE MUST REMAIN WITHIN DIMENSIONS	MATERIAL NO. 87701-1001	DOCUMENT NO. SD-87701-013	SERIAL ATA BACKPLANE PRESS-FIT STD HEIGHT RECEPTACLE MOLEX INCORPORATED			
			SIZE A3	THIS DRAWING CONTAINS INFORMATION THAT IS PROPRIETARY TO MOLEX INCORPORATED AND SHOULD NOT BE USED WITHOUT WRITTEN PERMISSION	SHEET NO. 3 OF 4				

9 8 7 6 5 4 3 2 1



REMOVE PCB HOLES EC NO: S2015-0218 DRWN:SKANG CHKD:BOKOK APPR:SHLENI	2014/09/04 2014/09/05 2014/09/05	DESCRIPTION QUALITY SYMBOLS ▽=0 ◻=0	GENERAL TOLERANCES (UNLESS SPECIFIED)		DIMENSION STYLE MM ONLY		SCALE NTS	DESIGN UNITS METRIC	THIRD ANGLE PROJECTION				
			mm	INCH	DRAWN BY	DATE	TITLE						
			4 PLACES	± ---	± ---	DKOH	2002/07/01	SERIAL ATA BACKPLANE PRESS-FIT STD HEIGHT RECEPTACLE MOLEX INCORPORATED					
			3 PLACES	± ---	± ---	CHECKED BY	DATE						
		2 PLACES	± 0.20	± ---	KCLING	2002/07/05	MATERIAL NO. 87701-1001 DOCUMENT NO. SD-87701-013 SHEET NO. 4 OF 4						
		1 PLACE	± ---	± ---	APPROVED BY	DATE							
		ANGULAR ± 3 °			SKTOH	2002/07/05							
		DRAFT WHERE APPLICABLE MUST REMAIN WITHIN DIMENSIONS			SIZE A3		THIS DRAWING CONTAINS INFORMATION THAT IS PROPRIETARY TO MOLEX INCORPORATED AND SHOULD NOT BE USED WITHOUT WRITTEN PERMISSION						