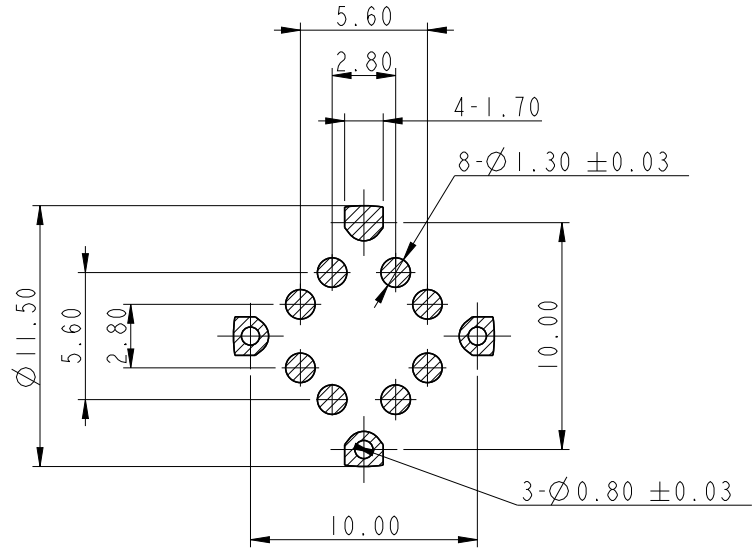
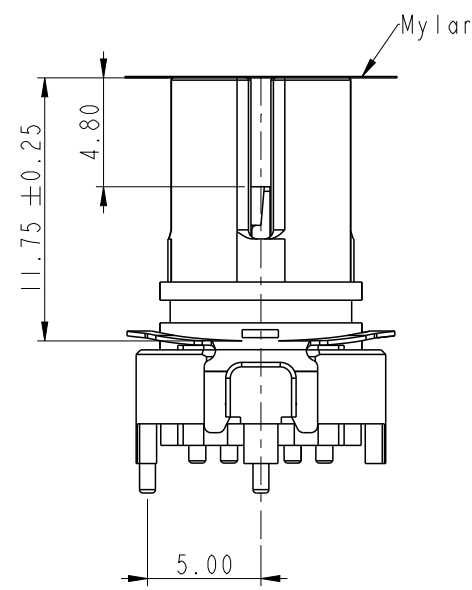
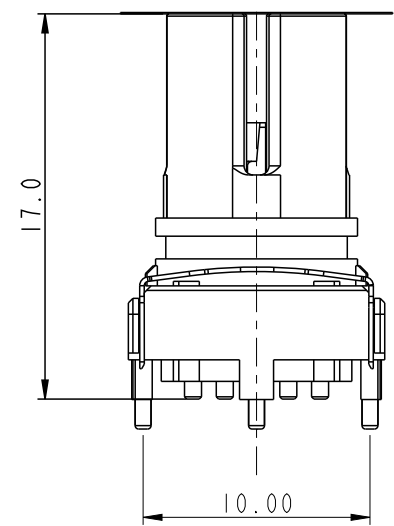
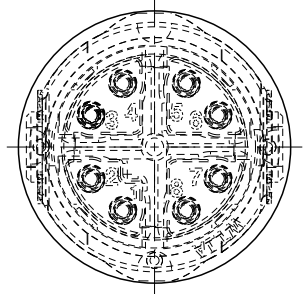
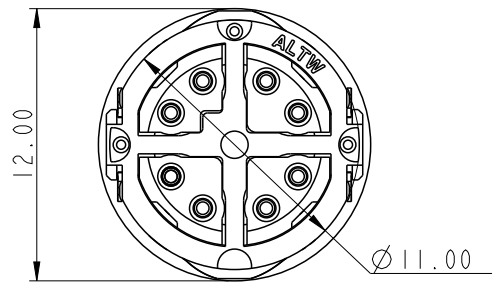


REV.	DESCRIPTION
B	Update Description



Recommended PCB Layout
General tolerance: ±0.05mm



- Note:
- * Waterproof Rate: IP67 (Mated Condition)
 - * Connector: Thermoplastic, Black
 - * Female Pin: Copper Alloy, Gold Plated
 - * Shield & Spring: Metal
 - * Withstand voltage test 2.2KVdc between shield and pin, 500Vac between adjacent pin
 - * Coplanarity of all contacts: 0.10mm maximum.

UNIT: mm		
TOLERANCE		
.X	±0.25	
.XX	±0.1	
.XXX	±0.05	
ANGLES	±1°	

TITLE M12 X-Code, Panel Ended SMT Type			
SCALE 3:1	SIZE A4	SHEET 1	OF 3
REV. B	WC-REV. A.16	QC: Inspection item	

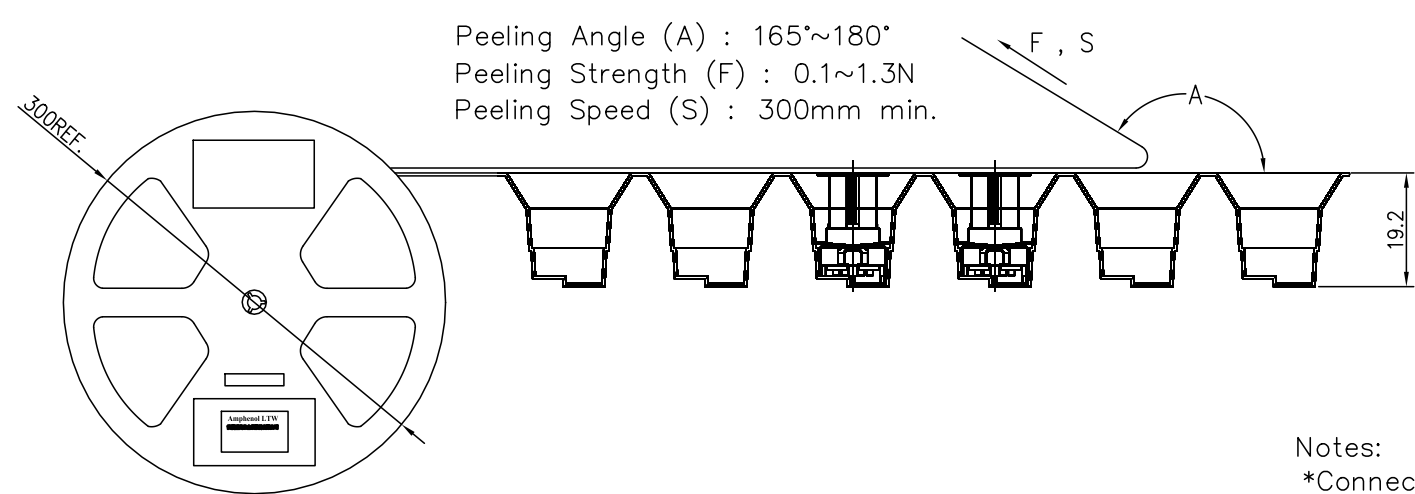
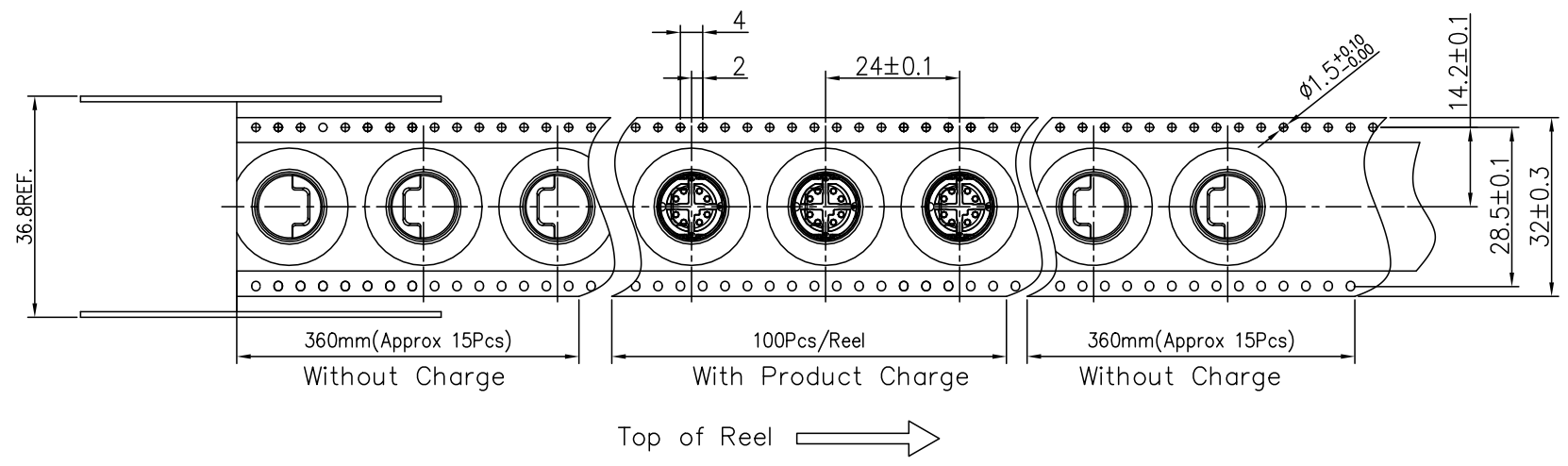
Amphenol LTW
安費諾亮泰企業股份有限公司

ITEM NO MSXS-08PFFT-EE0001	DRAWN BY Sam Ho	DATE 2018-12-19
DWG NO MSXS-08PFFT-EE0001	CHECKED BY Fred Lee	DATE 2018-12-19
CUSTOMER ALTW	APPROVED BY Fred Lee	DATE 2018-12-19

THIS DOCUMENT IS SUBJECT TO CHANGE WITHOUT NOTICE. IT IS CONFIDENTIAL AND A PROPERTY OF AMPHENOL LTW. DISCLOSURE TO THIRD PARTY HAS TO BE AUTHORIZED BY AMPHENOL LTW.

REV.	DESCRIPTION
B	Update Description

THIS DOCUMENT IS SUBJECT TO CHANGE WITHOUT NOTICE. IT IS CONFIDENTIAL AND A PROPERTY OF Amphenol LTW. DISCLOSURE TO THIRD PARTY HAS TO BE AUTHORIZED BY Amphenol LTW.

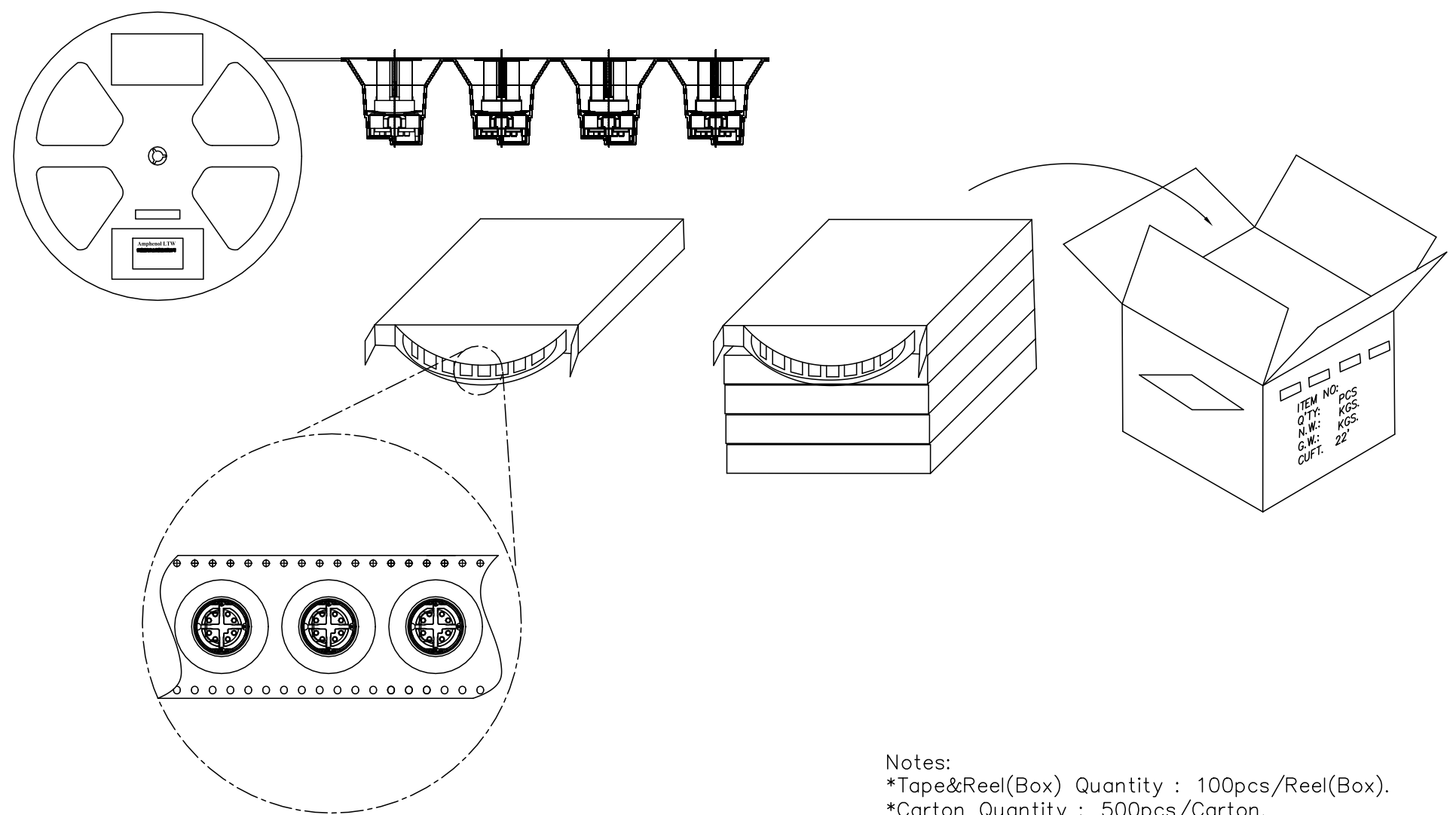


Notes:
*Connector Orientation Follow Drawing

UNIT: mm TOLERANCE ±0.5mm	TITLE M12 X-Code Panel Package	SHEET 2 OF 3 ©: Inspection Item	Amphenol LTW 安費諾亮泰企業股份有限公司	ITEM NO MSXS-08PFFT-EE0001	DRAWN BY Sam Ho	DATE 2018-12-19
	SCALE Free			REV. B	SIZE A4	DWG NO MSXS-08PFFT-EE0001
				CUSTOMER ALTW	APPROVED BY Fred Lee	DATE 2018-12-19

REV.	DESCRIPTION
B	Update Description

THIS DOCUMENT IS SUBJECT TO CHANGE WITHOUT NOTICE. IT IS CONFIDENTIAL AND A PROPERTY OF Amphenol LTW. DISCLOSURE TO THIRD PARTY HAS TO BE AUTHORIZED BY Amphenol LTW.



Notes:
 *Tape&Reel(Box) Quantity : 100pcs/Reel(Box).
 *Carton Quantity : 500pcs/Carton.

A	UNIT: mm		TITLE M12 X-Code Panel Package		Amphenol LTW 安費諾亮泰企業股份有限公司	ITEM NO MSXS-08PFFT-EE0001	DRAWN BY Sam Ho	DATE 2018-12-19
	TOLERANCE ±0.5mm		SCALE Free	SHEET 3 OF 3		DWG NO MSXS-08PFFT-EE0001	CHECKED BY Fred Lee	DATE 2018-12-19
	REV. B	SIZE A4	©: Inspection Item		CUSTOMER ALTW	APPROVED BY Fred Lee	DATE 2018-12-19	8 W0814-03-表單01A1