

175095-1 ✓ ACTIVE

AMP | Multilock Connector System

TE Internal #: 175095-1

Automotive Terminals, Receptacle, Mating Tab Width 1.8 mm [.071 in], Tab Thickness .64 mm [.025 in], 20 – 16 AWG Wire Size, Multilock Connector System

[View on TE.com >](#)



Terminals & Splices > Automotive Terminals > MULTILOCK, RECEPTACLE AND TAB



Terminal Type: **Receptacle**

Mating Tab Width: **1.8 mm [.071 in]**

Mating Tab Thickness: **.64 mm [.025 in]**

Terminal Transmits: **0 – 24 A (Low Power)**

Wire Size: **20 – 16 AWG**

[All MULTILOCK, RECEPTACLE AND TAB \(136\)](#)

Features

Product Type Features

Receptacle Style	180°
Sealable	No
Primary Locking Feature	Clean Body

Contact Features

Contact Size	1.8mm
Contact Fabrication	Stamped & Formed
Wire Contact Termination Area Plating Material	Tin
Typical Current Rating	14 A
Crimp Type	F-Crimp
Terminal Type	Receptacle
Mating Tab Width	1.8 mm[.071 in]
Mating Tab Thickness	.64 mm[.025 in]
Interface Plating	Tin (Sn)

Termination Features

Termination Method to Wire & Cable	Crimp
Product Terminates To	Wire



Dimensions

Compatible Insulation Diameter Range	1.2 – 1.9 mm [.047 – .074 in]
Wire Size	.5 – 1.25 mm ²
Wire Size Search	16 AWG, 17 AWG, 18 AWG, 19 AWG, 20 AWG

Usage Conditions

Insulation Option	Uninsulated
Operating Temperature (Max)	80 °C, 85 °C, 90 °C, 100 °C, 105 °C [176 °F] [185 °F][194 °F][212 °F][221 °F]
Operating Temperature Range	-30 – 105 °C [-22 – 221 °F]

Packaging Features

Packaging Quantity	4000
Packaging Method	Reel

Other

Terminal Transmits	0 – 24 A (Low Power)
--------------------	----------------------

Product Compliance

[For compliance documentation, visit the product page on TE.com>](#)

EU RoHS Directive 2011/65/EU	Compliant
EU ELV Directive 2000/53/EC	Compliant
China RoHS 2 Directive MIIT Order No 32, 2016	No Restricted Materials Above Threshold
EU REACH Regulation (EC) No. 1907/2006	Current ECHA Candidate List: JUNE 2023 (235) Candidate List Declared Against: JUNE 2023 (235) Does not contain REACH SVHC
Halogen Content	Low Halogen - Br, Cl, F, I < 900 ppm per homogenous material. Also BFR/CFR/PVC Free
Solder Process Capability	Not applicable for solder process capability

Product Compliance Disclaimer

This information is provided based on reasonable inquiry of our suppliers and represents our current actual knowledge based on the information they provided. This information is subject to change. The part numbers that TE has identified as EU RoHS compliant have a maximum concentration of 0.1% by weight in homogenous materials for lead, hexavalent chromium, mercury, PBB, PBDE, DBP, BBP, DEHP, DIBP, and 0.01% for cadmium, or qualify for an exemption to these limits as defined in the Annexes of Directive 2011/65/EU (RoHS2). Finished electrical and electronic equipment products will be CE marked as required by Directive 2011/65/EU. Components may not be CE marked. Additionally, the part numbers that TE has identified as EU ELV compliant have a maximum concentration of 0.1% by weight in homogenous materials for lead, hexavalent chromium, and mercury, and 0.01% for cadmium, or qualify for an exemption to these limits

as defined in the Annexes of Directive 2000/53/EC (ELV). Regarding the REACH Regulation, the information TE provides on SVHC in articles for this part number is based on the latest European Chemicals Agency (ECHA) 'Guidance on requirements for substances in articles' posted at this URL: <https://echa.europa.eu/guidance-documents/guidance-on-reach>

Compatible Parts



TE Part # CAT-M9194-CH8172
MULTILOCK, CONNECTOR HOUSING



TE Part # 2-2151335-1
OC-PA-S-FM-090F102O-102F STABL-001-0024



TE Part # 2-2151335-2
OC-PA-S-FA-090F102O-102F STABL-001-0024



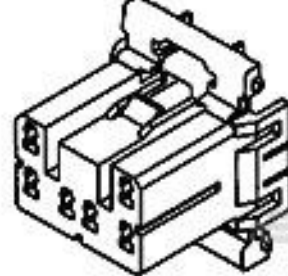
TE Part # 2151335-1
OC-AT-S-FM-090F102O-102F STABL-001-0024



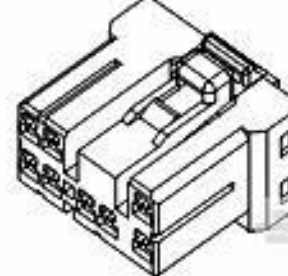
TE Part # 2151335-2
OC-AT-S-FA-090F102O-102F STABL-001-0024



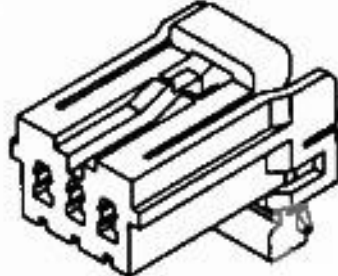
TE Part # 7-2151335-7
OC-090F102O-102F-CRIMPTOOLINGKIT



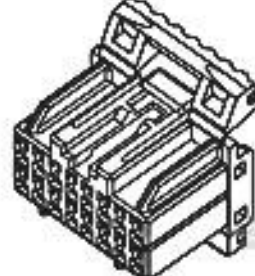
TE Part # 173852-5
070 MULTILOCK PLUG 14P BLUE



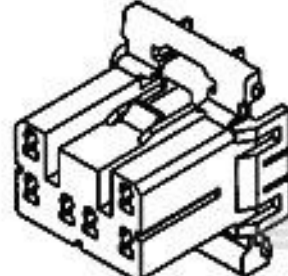
TE Part # 176118-8
070 MLC II PLUG ASSY 18P ORANG



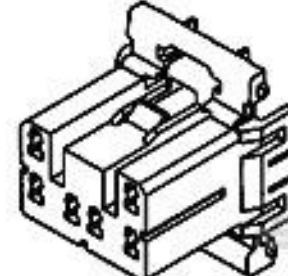
TE Part # 174923-5
070 MLC W-W PLUG HSG 6P BLUE



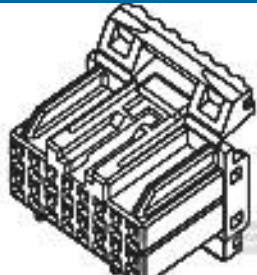
TE Part # 175567-6
HYBRID I/O PLUG HSG 26P GRAY



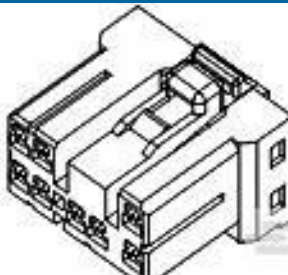
TE Part # 173850-4
070 MLC PLUG HSG 8P GREEN



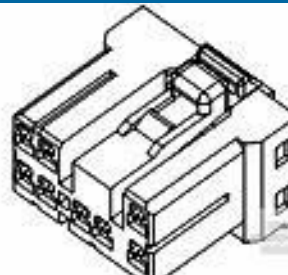
TE Part # 173853-7
070 MLC PLUG HSG 18P YELLOW



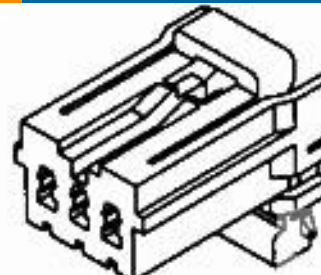
TE Part # 174515-5
040/070 HYBRID PLUG 22P BLUE



TE Part # 176116-5
070 MLC PLUG HSG ASSY 12P BLUE



TE Part # 176119-8
070 MLC PLUG 20P DBL PLT ASSY



TE Part # 6-174922-6
070 MLC W-W PLUG HSG 4P GRAY

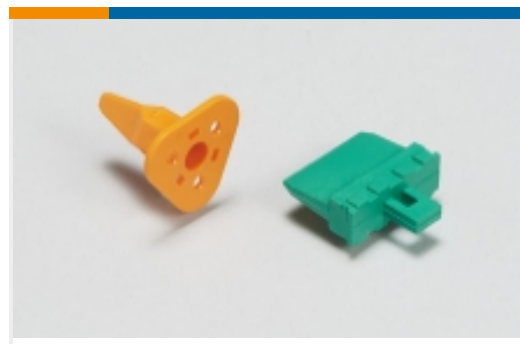
Also in the Series | Multilock Connector System



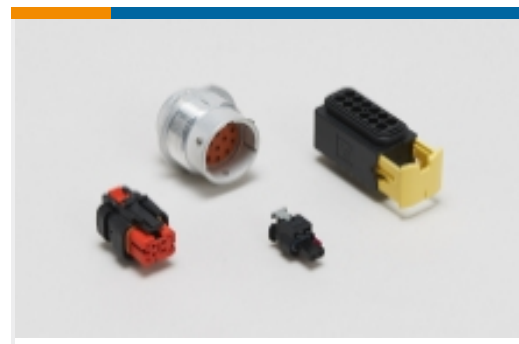
Automotive Connector Caps & Covers (17)



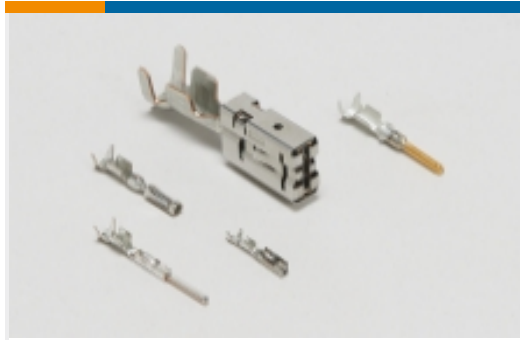
Automotive Connector EMC Shielding (1)



Automotive Connector Locks & Position Assurance(2)



Automotive Housings(603)



Automotive Terminals(141)



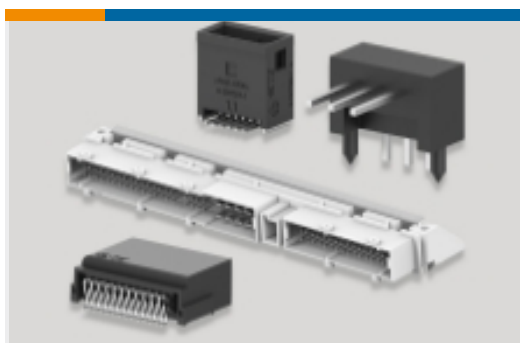
Connector Seals & Cavity Plugs(2)



Insertion & Extraction Tools(6)

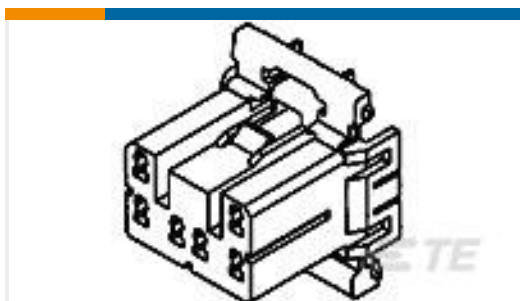


Other Automotive Connector Accessories(14)

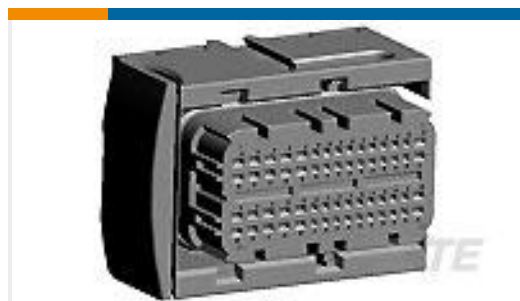


PCB Headers & Receptacles(142)

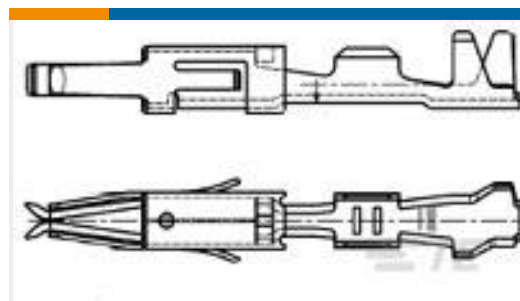
Customers Also Bought



TE Part #174952-1
070 MLC W-W PLUG HSG 20P



TE Part #2-1355123-3
CARRIER HSG 60POS,ASSY



TE Part #962876-3
MT2 REC 1.6 Contact SWS Au



TE Part #1-1823440-2
LEAVYSEAL Housings



TE Part #2066043-1
12 POS. ECONOSEAL CAP HOUSING JMARK II+



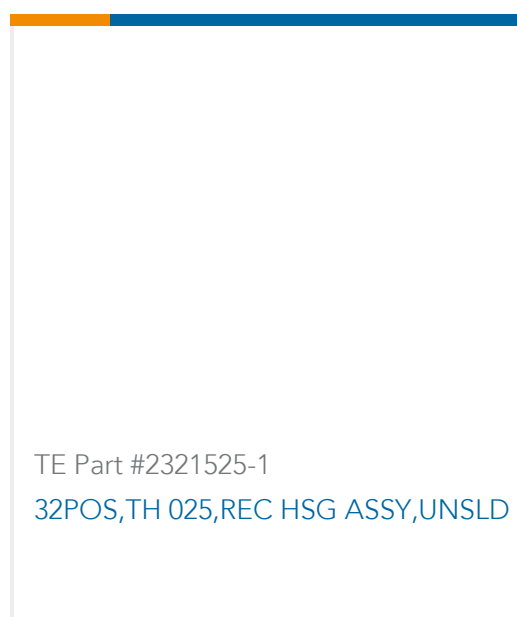
TE Part #2066010-1
2P SUPERSEAL 1.5 SRS PLUG ASSY BLACK



TE Part #493577-1
ASSY 10 WAY JPT REC



TE Part #2315764-1
16POS,ECONOSEAL,REC HSG ASSY, SLD



Documents

Product Drawings

070 SERIES REC CONTACT 20-16

English

CAD Files

3D PDF

English

Customer View Model

[ENG_CVM_175095-1_O.2d_dxf.zip](#)

English

Customer View Model

[ENG_CVM_175095-1_O.3d_igs.zip](#)

English

Customer View Model

[ENG_CVM_175095-1_O.3d_stp.zip](#)

English

By downloading the CAD file I accept and agree to the [Terms and Conditions](#) of use.

Datasheets & Catalog Pages

MULTILOCK Connector System

English

Product Specifications

Application Specification

English

Crimping of .070 Series, Rec. Contact for CAVUS Wires

English

Instruction Sheets

Instruction Sheet (non U.S.)

English

AMP Extraction Tool P/N 755430-2 for Extraction 070 Series Cont.

English